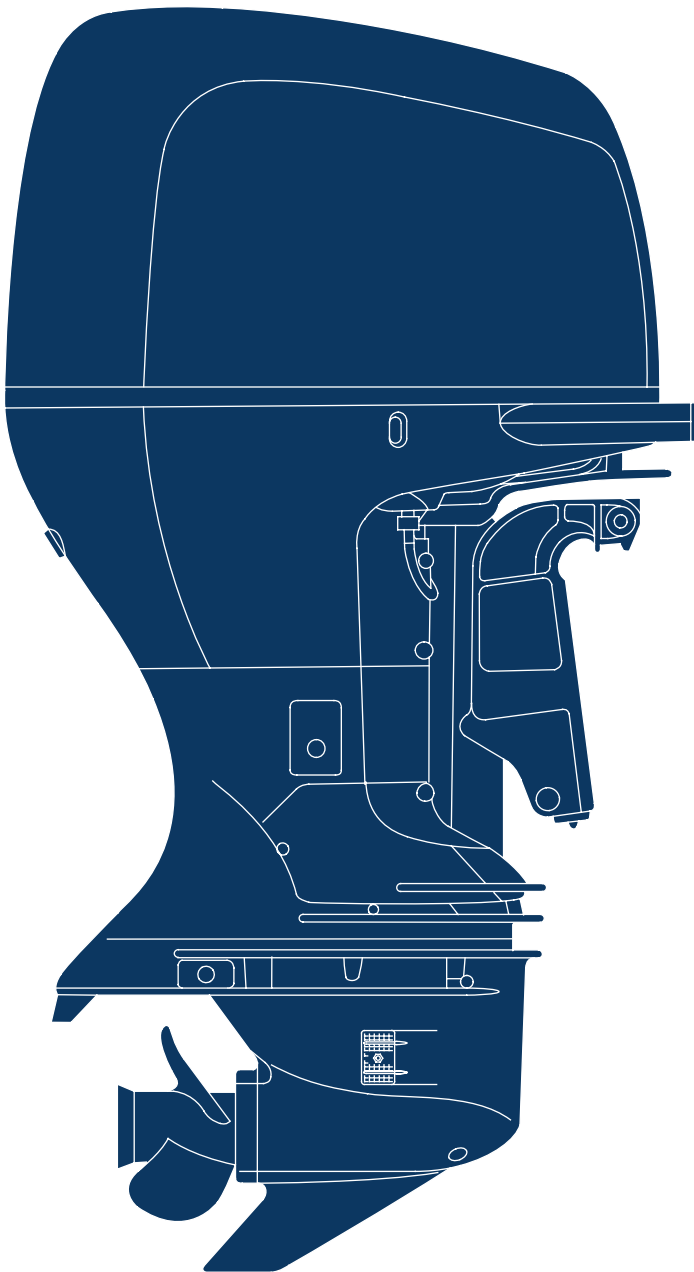


2014 PARTS CATALOG

 TOHATSU



BFT 200A
BFT 225A

OB NO.002-14ZY2-0
1311US

Instruction for use of parts catalogue

- **This parts catalogue was prepared based on the latest information available as of December 1, 2013.**
- See the Service Bulletin for any revision that is made after December 1, 2013.
- **Always specify the part number when ordering a part.**
 - Check the model, type, serial numbers, color, maker, and the size as needed before ordering a part.
 - Note that the illustrations (part drawings) can differ from the actual parts in shape.
Illustrations are given just to help you to refer to the parts.
- **When modifications or additions to this parts catalogue are made, a revised edition will be issued at an appropriate time, with successively progressing revision numbers on the cover. We recommend obtaining such revisions in order to keep your parts catalogue up-to-date at all times.**

Initial version issue date December 1, 2013

CONTENTS

E-1	CYLINDER HEAD COVER	1
E-3	CYLINDER BLOCK	3
E-3-10	CRANKCASE	7
E-4	EXHAUST MANIFOLD/THERMOSTAT	9
E-5	OIL PUMP/FLYWHEEL	11
E-6	OIL PAN	13
E-6-10	MOUNT CASE	15
E-7	CRANKSHAFT/PISTON	19
E-9	CYLINDER HEAD	21
E-9-10	CAMSHAFT/ROCKER ARM	23
E-13	TIMING BELT	25
E-13-10	TIMING BELT COVER	27
E-14	FUEL PIPE/INJECTOR	29
E-14-10	INTAKE MANIFOLD	33
E-15	THROTTLE BODY	35
E-18	VAPOR SEPARATOR ASSY	37
E-18-2	WATER SEPARATOR/FUEL STRAINER	41
E-18-10	PIPING	45
E-19	A.C.GENERATOR	47
E-20	SPARK PLUG	49
E-20-11	ELECTRONIC CONTROL UNIT	51
E-21	STARTER MOTOR	53
F-2	SHIFT SHAFT	55
F-3	GEAR CASE	59
F-3-10	GEAR CASE ASSY	61
F-3-20	EXTENSION CASE	63
F-4	WATER PUMP/VERTICAL SHAFT	69
F-5	PROPELLER SHAFT	73
F-5-1	PROPELLER SHAFT (COUNTER ROTATION)	77
F-6	FUEL TUBE	81
F-7	WIRE HARNESS	83
F-7-11	STARTER CABLE	85
F-7-30	FUSE BOX/RELAY	87
F-8	ENGINE COVER	89
F-8-10	FR.COVER BRACKET/FR.LOCK SHAFT	91
F-8-20	FUEL TUBE (2)	95
F-10	STERN BRACKET/SWIVEL CASE	97
F-11	POWER TRIM-TILT	103
F-12	LABEL	107
F-13	TOOL	109
FOP-2	WATER PUMP IMPELLER SET	111
FOP-3	REMOTE CONTROL (TOP MOUNT SINGLE TYPE) (RIGHT)	113
FOP-3-2	REMOTE CONTROL (TOP MOUNT DUAL TYPE) (RIGHT)	117
FOP-3-4	REMOTE CONTROL (FLUSH MOUNT TYPE) (RIGHT)	121
FOP-3-6	REMOTE CONTROL	123
FOP-4	SWITCH PANEL KIT (1)	129
FOP-4-1	SWITCH PANEL KIT (2)	133
FOP-5-1	METER	135
FOP-7	BOLT KIT	137
FOP-9	TRIM ADJUST PLATE SET	139
FOP-10	PROPELLER	141
FOP-12	INTERFACE CABLE KIT	143
INDEX		145
INDEX (Parts Number)		151

How to refer to the part information

A. Reference with "Illustrated index"

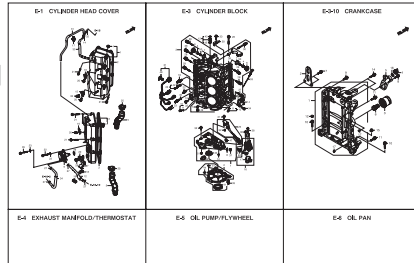
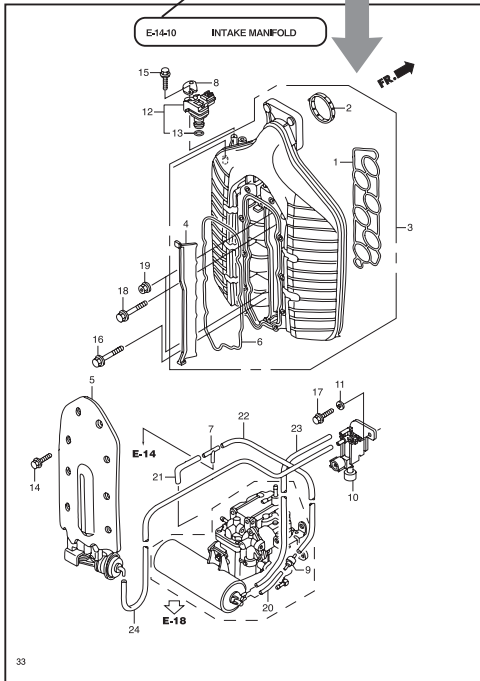


Fig. Number

Ref. Number/Part Number/Parts Name



NO.(In.)	Part No.	Description	Q'ty	Remarks
E-14-10 1	HCYH1100-004	GASKET, INTAKE MANIFOLD	1	
E-14-10 2	HCYH1108-004	PACKING, THROTTLE BODY	1	
E-14-10 3	HCYH1109-003	MANIFOLD COMP., INTAKE	1	
E-14-10 4	HCYH1111-003	PLATE, INTAKE MANIFOLD CENTER	1	
E-14-10 5	HCYH1118-003A	COVER COMP., INTAKE MANIFOLD	1	HUBB DARK GRAY
E-14-10 6	HCYH1118-004	PACKING, INTAKE MANIFOLD UP	1	COVER
E-14-10 7	HMGH1201-000	JOINT A VACUUM TUBE	1	
E-14-10 8	HCYH2010-000	BRACKET, SENSOR CORD	1	
E-14-10 9	HFMH0816-004	VALVE, CHECK	1	
E-14-10 10	HCYH0816-003	VALVE ASSY, AIR SPRING	1	
E-14-10 11	HFMH2016-000	WASHER, CONICAL SPRING(S)	1	
E-14-10 12	HFMH3103-001	SENSOR ASSY, MAP	1	
E-14-10 13	HPSH3103-001	O-RING	1	
E-14-10 14	HCYH0001-000	BOLT, FLANGE, 6X32	10	10
E-14-10 15	HCYH0001-000	BOLT+WASHER, 6X18	1	1
E-14-10 16	HCYH0001-000	BOLT, FLANGE, 6X32	1	1
E-14-10 17	HCYH0008-000	BOLT, FLANGE, 5X10	1	1
E-14-10 18	HDMH0816-000	BOLT, FLANGE, 6X50	7	7
E-14-10 19	HCYH0001-000	NUT, FLANGE, 6MM	2	2
E-14-10 20	HCDH0001-000-00	TUBE, FUEL, 3.5X30	1	1 (01-40001-10001-000)
E-14-10 21	HCDH0001-000-00	TUBE, FUEL, 3.5X30	1	1 (01-40001-10001-000)
E-14-10 22	HCDH0001-000-00	TUBE, FUEL, 3.5X50	1	1 (01-40001-10001-000)
E-14-10 23	HCDH0001-000-00	TUBE, FUEL, 3.5X30	1	1 (01-40001-10001-000)
E-14-10 24	HCDH0001-000-00	TUBE, FUEL, 3.5X30	1	1 (01-40001-10001-000)

B. Reference with "Parts number index"

INDEX (Parts Number)			
102411540	1515	104408000	116295
104408100	47	104408100	116304
104408200	50	104411704	116325
104408300	50	104411704	116325
104408400	50	104411704	116325
104408500	50	104411704	116325
104408600	50	104411704	116325
104408700	50	104411704	116325
104408800	50	104411704	116325
104408900	50	104411704	116325
104409000	50	104411704	116325
104409100	50	104411704	116325
104409200	50	104411704	116325
104409300	50	104411704	116325
104409400	50	104411704	116325
104409500	50	104411704	116325
104409600	50	104411704	116325
104409700	50	104411704	116325
104409800	50	104411704	116325
104409900	50	104411704	116325
104410000	50	104411704	116325

C. Reference with "Parts name index"

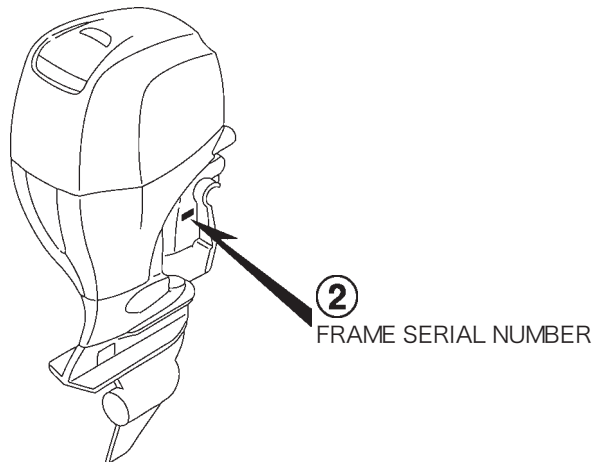
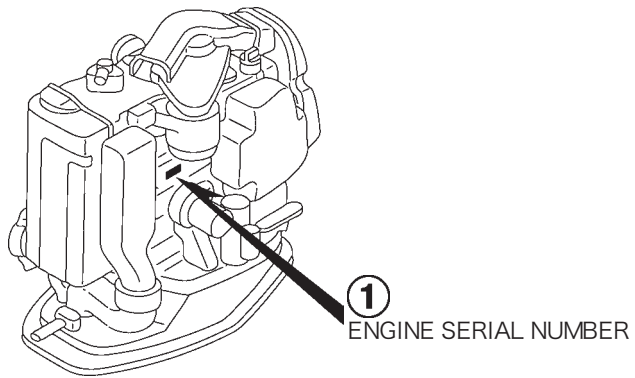
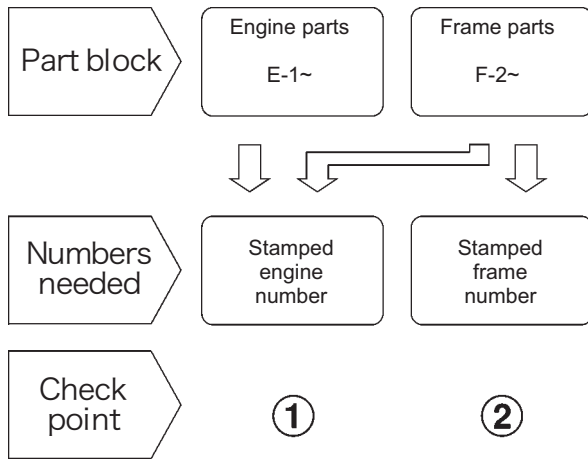
INDEX			
ADJ. SCREW	2128	BOLT	1000
ADJUSTING NUT	26	BOLT	1000
ADJUSTING SCREW	26	BOLT	1000
ADJUSTING SCREW	1512	BOLT	1000
BEARING	647	BOLT	11825
BEARING ASSY	647	BOLT	11825
ALTERNATOR ASSY	62	BOLT	11825
ANODE	154	BOLT	11825
ANODE	154	BOLT	11825
ANODE	155	BOLT	11825
ANODE PLUG	124	BOLT	11825
APRIL	1045	BOLT	124
ARBIT. CORR. BELT L-200	23492	BOLT	124
ARBIT. CORR. BELT L-200	23494	BOLT	124
ARBIT. CORR. BELT L-200	23495	BOLT	124
ARBIT. CORR. BELT L-200	23496	BOLT	124
ARBIT. CORR. BELT L-200	23497	BOLT	124
ARBIT. CORR. BELT L-200	23498	BOLT	124
ARBIT. CORR. BELT L-200	23499	BOLT	124
ARBIT. CORR. BELT L-200	23500	BOLT	124
ARBIT. CORR. BELT L-200	23501	BOLT	124
ARBIT. CORR. BELT L-200	23502	BOLT	124
ARBIT. CORR. BELT L-200	23503	BOLT	124
ARBIT. CORR. BELT L-200	23504	BOLT	124
ARBIT. CORR. BELT L-200	23505	BOLT	124
ARBIT. CORR. BELT L-200	23506	BOLT	124
ARBIT. CORR. BELT L-200	23507	BOLT	124
ARBIT. CORR. BELT L-200	23508	BOLT	124
ARBIT. CORR. BELT L-200	23509	BOLT	124
ARBIT. CORR. BELT L-200	23510	BOLT	124
ARBIT. CORR. BELT L-200	23511	BOLT	124
ARBIT. CORR. BELT L-200	23512	BOLT	124
ARBIT. CORR. BELT L-200	23513	BOLT	124
ARBIT. CORR. BELT L-200	23514	BOLT	124
ARBIT. CORR. BELT L-200	23515	BOLT	124
ARBIT. CORR. BELT L-200	23516	BOLT	124
ARBIT. CORR. BELT L-200	23517	BOLT	124
ARBIT. CORR. BELT L-200	23518	BOLT	124
ARBIT. CORR. BELT L-200	23519	BOLT	124
ARBIT. CORR. BELT L-200	23520	BOLT	124
ARBIT. CORR. BELT L-200	23521	BOLT	124
ARBIT. CORR. BELT L-200	23522	BOLT	124
ARBIT. CORR. BELT L-200	23523	BOLT	124
ARBIT. CORR. BELT L-200	23524	BOLT	124
ARBIT. CORR. BELT L-200	23525	BOLT	124
ARBIT. CORR. BELT L-200	23526	BOLT	124
ARBIT. CORR. BELT L-200	23527	BOLT	124
ARBIT. CORR. BELT L-200	23528	BOLT	124
ARBIT. CORR. BELT L-200	23529	BOLT	124
ARBIT. CORR. BELT L-200	23530	BOLT	124
ARBIT. CORR. BELT L-200	23531	BOLT	124
ARBIT. CORR. BELT L-200	23532	BOLT	124
ARBIT. CORR. BELT L-200	23533	BOLT	124
ARBIT. CORR. BELT L-200	23534	BOLT	124
ARBIT. CORR. BELT L-200	23535	BOLT	124
ARBIT. CORR. BELT L-200	23536	BOLT	124
ARBIT. CORR. BELT L-200	23537	BOLT	124
ARBIT. CORR. BELT L-200	23538	BOLT	124
ARBIT. CORR. BELT L-200	23539	BOLT	124
ARBIT. CORR. BELT L-200	23540	BOLT	124
ARBIT. CORR. BELT L-200	23541	BOLT	124
ARBIT. CORR. BELT L-200	23542	BOLT	124
ARBIT. CORR. BELT L-200	23543	BOLT	124
ARBIT. CORR. BELT L-200	23544	BOLT	124
ARBIT. CORR. BELT L-200	23545	BOLT	124
ARBIT. CORR. BELT L-200	23546	BOLT	124
ARBIT. CORR. BELT L-200	23547	BOLT	124
ARBIT. CORR. BELT L-200	23548	BOLT	124
ARBIT. CORR. BELT L-200	23549	BOLT	124
ARBIT. CORR. BELT L-200	23550	BOLT	124
ARBIT. CORR. BELT L-200	23551	BOLT	124
ARBIT. CORR. BELT L-200	23552	BOLT	124
ARBIT. CORR. BELT L-200	23553	BOLT	124
ARBIT. CORR. BELT L-200	23554	BOLT	124
ARBIT. CORR. BELT L-200	23555	BOLT	124
ARBIT. CORR. BELT L-200	23556	BOLT	124
ARBIT. CORR. BELT L-200	23557	BOLT	124
ARBIT. CORR. BELT L-200	23558	BOLT	124
ARBIT. CORR. BELT L-200	23559	BOLT	124
ARBIT. CORR. BELT L-200	23560	BOLT	124
ARBIT. CORR. BELT L-200	23561	BOLT	124
ARBIT. CORR. BELT L-200	23562	BOLT	124
ARBIT. CORR. BELT L-200	23563	BOLT	124
ARBIT. CORR. BELT L-200	23564	BOLT	124
ARBIT. CORR. BELT L-200	23565	BOLT	124
ARBIT. CORR. BELT L-200	23566	BOLT	124
ARBIT. CORR. BELT L-200	23567	BOLT	124
ARBIT. CORR. BELT L-200	23568	BOLT	124
ARBIT. CORR. BELT L-200	23569	BOLT	124
ARBIT. CORR. BELT L-200	23570	BOLT	124
ARBIT. CORR. BELT L-200	23571	BOLT	124
ARBIT. CORR. BELT L-200	23572	BOLT	124
ARBIT. CORR. BELT L-200	23573	BOLT	124
ARBIT. CORR. BELT L-200	23574	BOLT	124
ARBIT. CORR. BELT L-200	23575	BOLT	124
ARBIT. CORR. BELT L-200	23576	BOLT	124
ARBIT. CORR. BELT L-200	23577	BOLT	124
ARBIT. CORR. BELT L-200	23578	BOLT	124
ARBIT. CORR. BELT L-200	23579	BOLT	124
ARBIT. CORR. BELT L-200	23580	BOLT	124
ARBIT. CORR. BELT L-200	23581	BOLT	124
ARBIT. CORR. BELT L-200	23582	BOLT	124
ARBIT. CORR. BELT L-200	23583	BOLT	124
ARBIT. CORR. BELT L-200	23584	BOLT	124
ARBIT. CORR. BELT L-200	23585	BOLT	124
ARBIT. CORR. BELT L-200	23586	BOLT	124
ARBIT. CORR. BELT L-200	23587	BOLT	124
ARBIT. CORR. BELT L-200	23588	BOLT	124
ARBIT. CORR. BELT L-200	23589	BOLT	124
ARBIT. CORR. BELT L-200	23590	BOLT	124
ARBIT. CORR. BELT L-200	23591	BOLT	124
ARBIT. CORR. BELT L-200	23592	BOLT	124
ARBIT. CORR. BELT L-200	23593	BOLT	124
ARBIT. CORR. BELT L-200	23594	BOLT	124
ARBIT. CORR. BELT L-200	23595	BOLT	124
ARBIT. CORR. BELT L-200	23596	BOLT	124
ARBIT. CORR. BELT L-200	23597	BOLT	124
ARBIT. CORR. BELT L-200	23598	BOLT	124
ARBIT. CORR. BELT L-200	23599	BOLT	124
ARBIT. CORR. BELT L-200	23600	BOLT	124

Part catalogue structure

Ref.No.	Part No.	Description	Q'ty		Remarks
			MIN	MAX	
E-14-10	1	HCY3-17101-004	1	1	
E-14-10	2	HCY3-17101-004	1	1	
E-14-10	3	HCY3-17110-000	1	1	
E-14-10	4	HCY3-17111-000	1	1	
E-14-10	5	HCY3-17100-002A	1	1	HHH+ DARK GRAY
E-14-10	8	HCY3-17131-004	1	1	COVER
E-14-10	7	HMS3-17051-000	1	1	
E-14-10	8	HCY3-0121-000	1	1	
E-14-10	9	HFM3-0140-004	1	1	
E-14-10	10	HCY3-0141-000	1	1	
E-14-10	11	HPR3-0141-000	1	1	
E-14-10	12	HFM3-3130-001	1	1	
E-14-10	13	HPR3-3130-001	1	1	
E-14-10	14	HCY3-0021-000	10	10	
E-14-10	15	HCY3-0023-000	1	1	
E-14-10	16	HCY3-0021-000	1	1	
E-14-10	17	HCY3-0023-000	1	1	
E-14-10	18	HDM3-0110-000	7	7	
E-14-10	19	HCY3-0021-000	2	2	
E-14-10	20	HCD-0001-0040-040	1	1	140-1000-1000-00M
E-14-10	21	HCD-0001-0010-040	1	1	140-1000-1000-00M
E-14-10	22	HCD-0001-0040-040	1	1	140-1000-1000-00M
E-14-10	23	HCD-0001-0030-040	1	1	140-1000-1000-00M
E-14-10	24	HCD-0001-0060-040	1	1	140-1000-1000-00M

- ① Fig. Number
- ② Fig. Title
- ③ Ref. Number
- ④ Parts Number
- ⑤ Parts Name
- ⑥ Q.ty
- ⑦ Remarks
- ⑧ Different specification
- ⑨ Direction Arrow
- ⑩ Parts enclosed within a dotted line are sub assembly parts.
- ⑪ A solid arrow indicates the block No. the part in question is connected to.

How to check the part block and serial numbers



Models, parts catalogue codes and applicable serial numbers

- Models, parts catalogue codes and applicable serial Nos. given in this parts catalogue can be identified as follows.

Model	Type	Parts catalogue type	Engine		Applicable engine serial No.	Applicable frame serial No.
			Model	Type		
BFT 200A	LA	LA	BF 200AK3	SE1	BEAEJ-1300001~	BAEJ-6000001~
	XA	XA				BAEJ-7000001~
	XCA	XCA				
BFT225A	LA	LA	BF 225AK3	SE1	BEAGJ-1300001~	BAGJ-6000001~
	XA	XA				BAGJ-7000001~
	XCA	XCA				

Features of each type

- See the following table for the features of each type. (Items in brackets are optional)

Specifications		Model	BFT 200AK3		
		Type	LA	XA	XCA
Transom height	508 mm		●		
	635 mm			●	●
Gear case cover					●
Trim tab			●	●	
Counter rotation					●

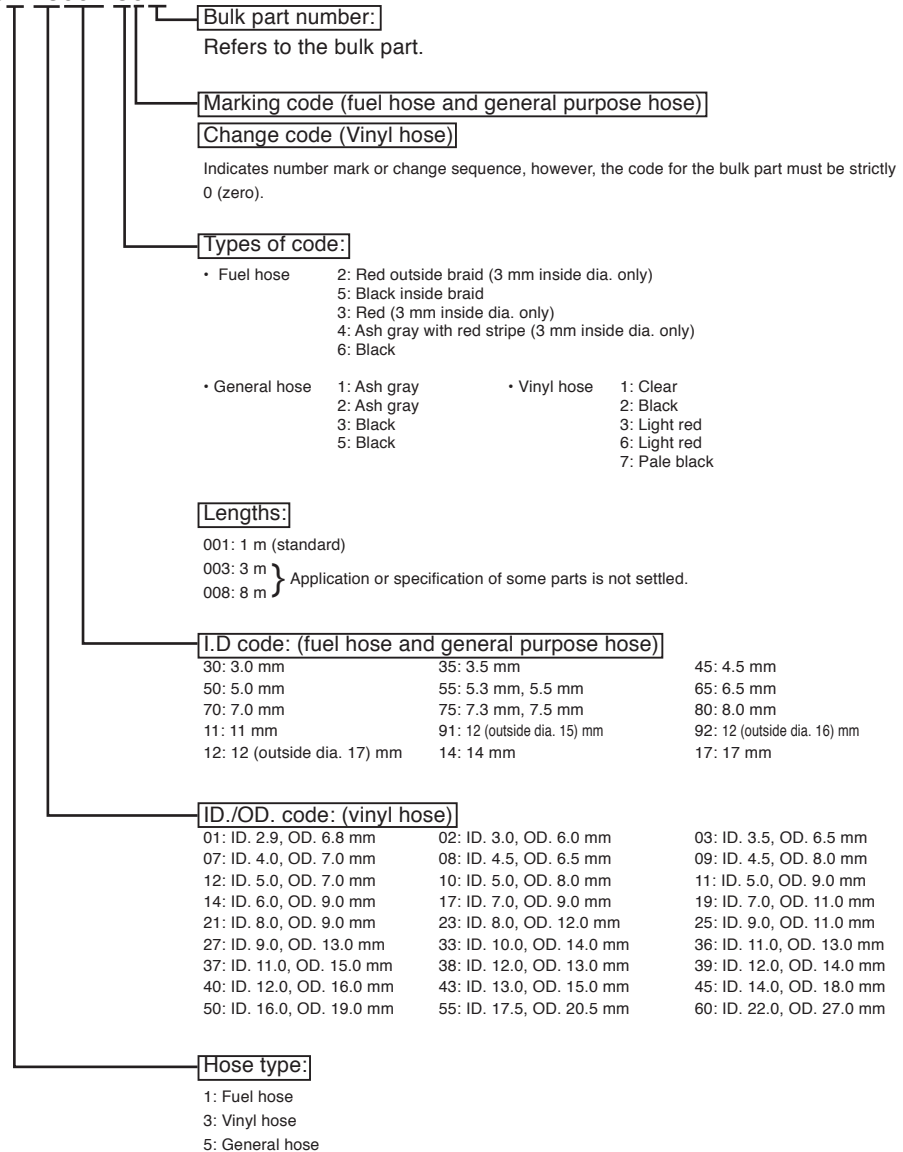
Specifications		Model	BFT 225AK3		
		Type	LA	XA	XCA
Transom height	508 mm		●		
	635 mm			●	●
Gear case cover					●
Trim tab			●	●	
Counter rotation					●

Fuel hose, general purpose hoses and vinyl hose

- The standard part fuel hose, general purpose hose and vinyl hose may be substituted by the coiled bulk part.
- When ordering the standard part fuel hose, general purpose hose and vinyl hose use the bulk part number written in the parts catalog in brackets () underneath the part name.
- When exchanging the hose, cut and use at the specified length as mentioned in the part name. (For the method of cutting the bulk part, and method of filling out orders etc., please refer to the instructions issued with the bulk part.)

Bulk part number of fuel hose, general purpose hose and vinyl hose.

Example: 95001-75001-50M

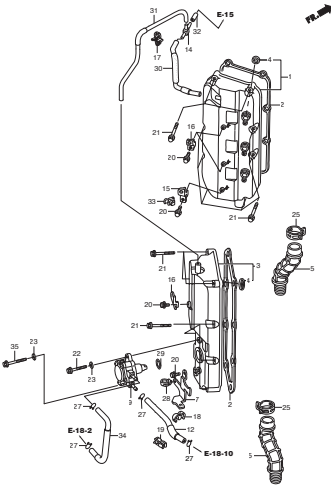


CAUTION: It is DANGEROUS to confuse the fuel hose with the general purpose hose or vinyl hose.

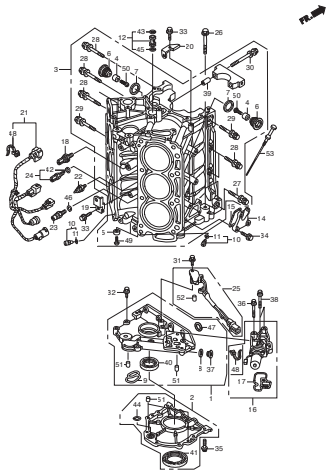
Never use a general purpose hose or vinyl hose in place of a fuel hose or vice versa.

Always use the correct bulk part in the parts catalogue, according to the service manual or the instructions issued with the bulk part.

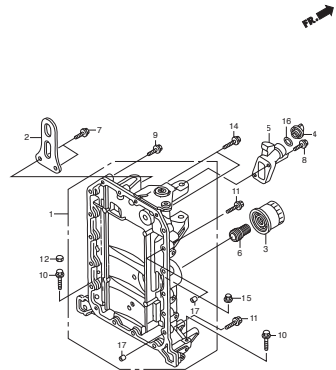
E-1 CYLINDER HEAD COVER



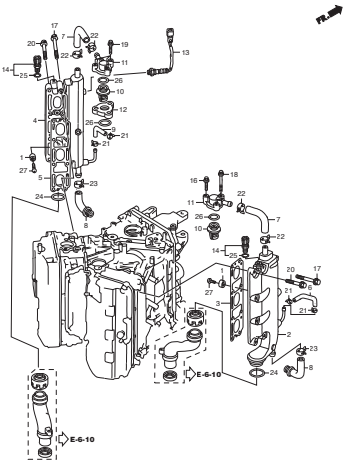
E-3 CYLINDER BLOCK



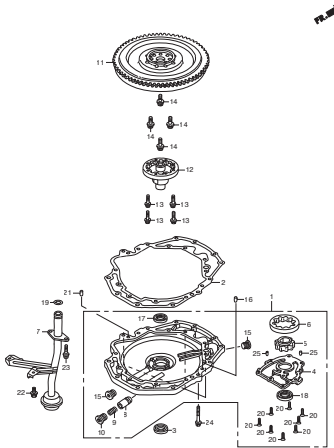
E-3-10 CRANKCASE



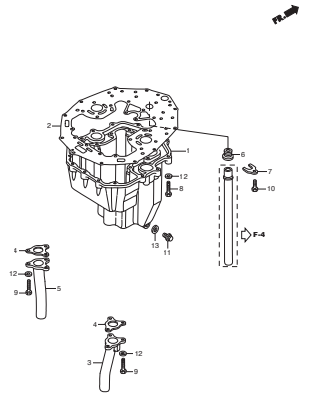
E-4 EXHAUST MANIFOLD/THERMOSTAT



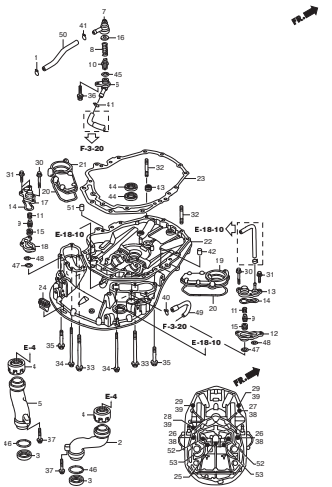
E-5 OIL PUMP/FLYWHEEL



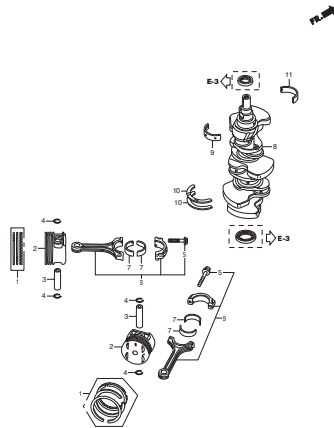
E-6 OIL PAN



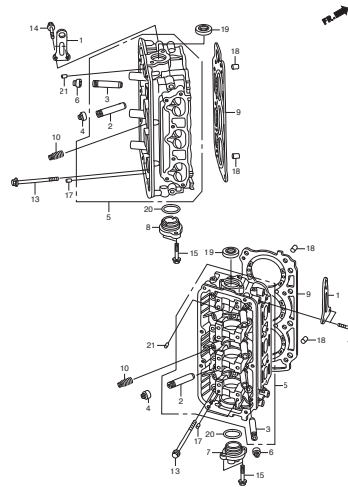
E-6-10 MOUNT CASE



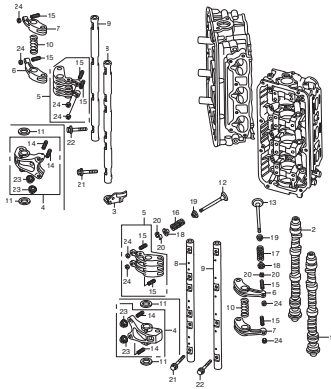
E-7 CRANKSHAFT/PISTON



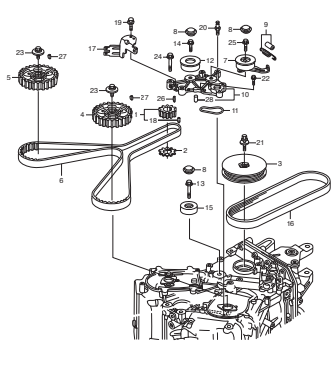
E-9 CYLINDER HEAD



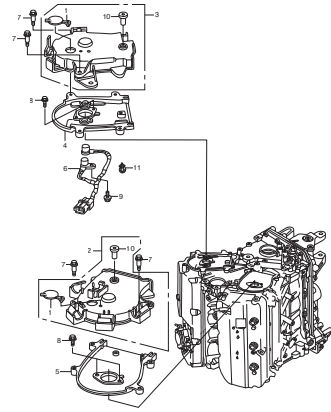
E-9-10 CAMSHAFT/ROCKER ARM



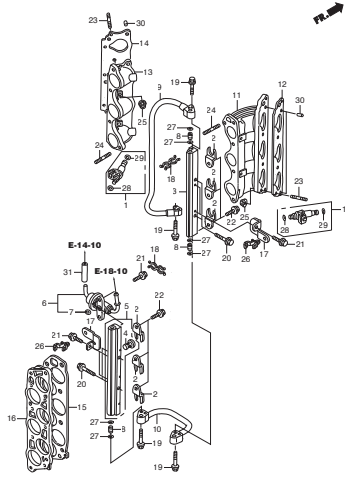
E-13 TIMING BELT



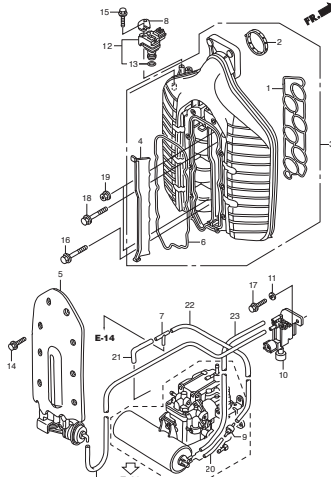
E-13-10 TIMING BELT COVER



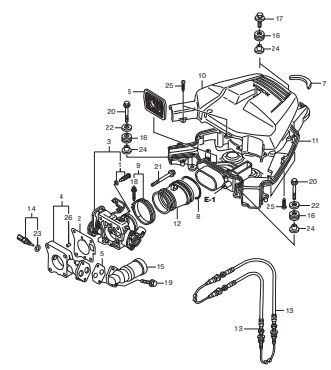
E-14 FUEL PIPE/INJECTOR



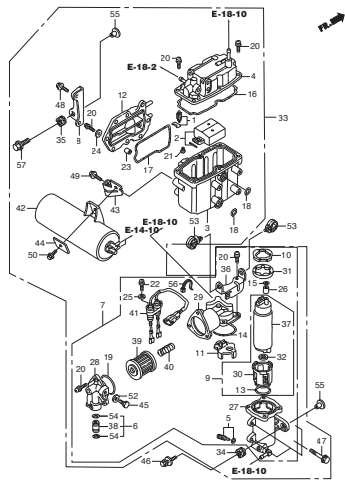
E-14-10 INTAKE MANIFOLD



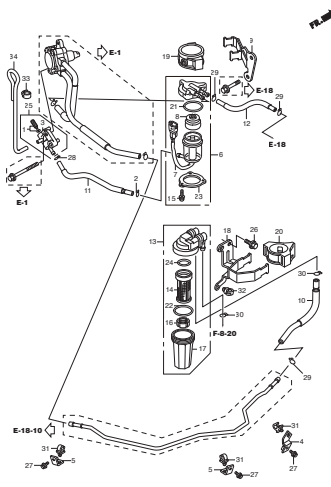
E-15 THROTTLE BODY



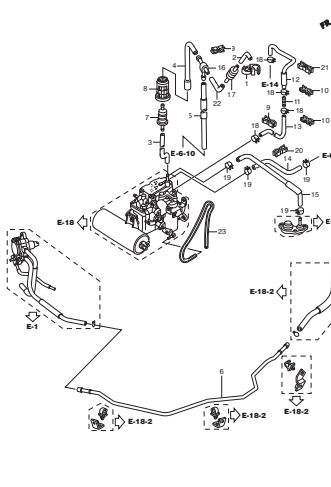
E-18 VAPOR SEPARATOR ASSY



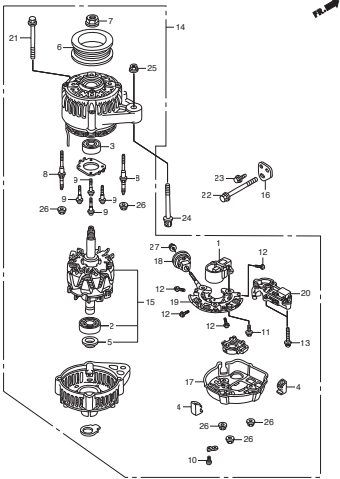
E-18-2 WATER SEPARATOR/FUEL STRAINER



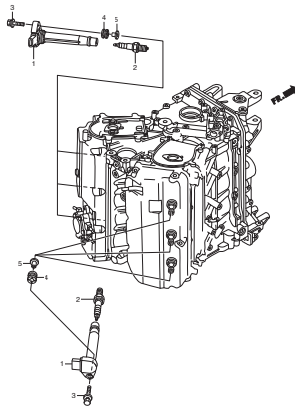
E-18-10 PIPING



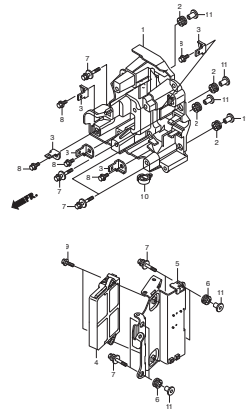
E-19 A.C.GENERATOR



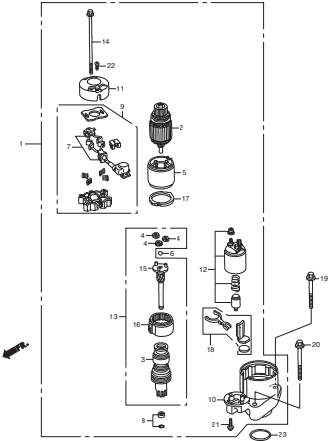
E-20 SPARK PLUG



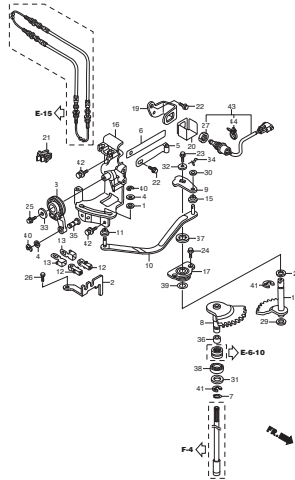
E-20-11 ELECTRONIC CONTROL UNIT



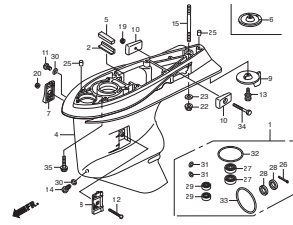
E-21 STARTER MOTOR



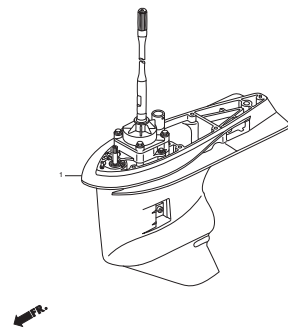
F-2 SHIFT SHAFT



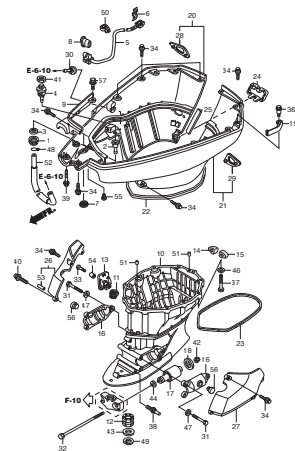
F-3 GEAR CASE



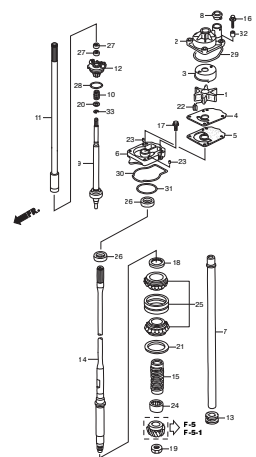
F-3-10 GEAR CASE ASSY



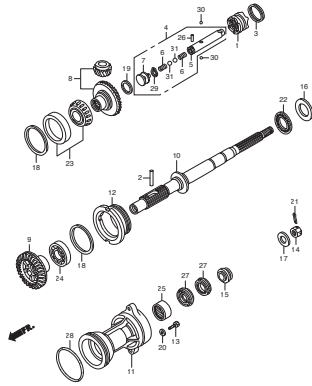
F-3-20 EXTENSION CASE



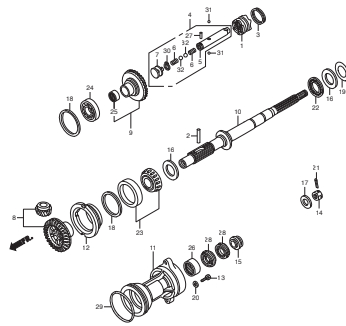
F-4 WATER PUMP/VERTICAL SHAFT



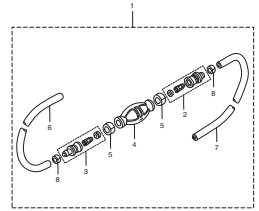
F-5 PROPELLER SHAFT



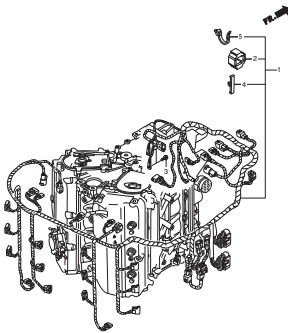
F-5-1 PROPELLER SHAFT (COUNTER ROTATION)



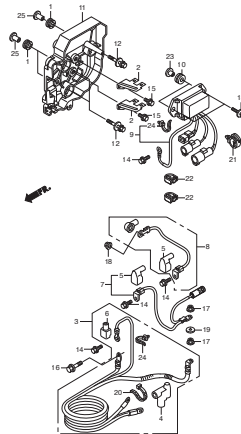
F-6 FUEL TUBE



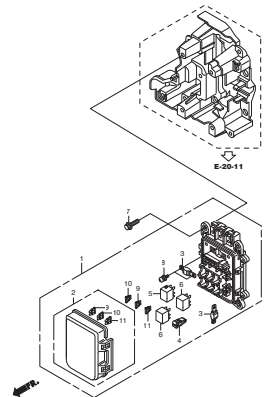
F-7 WIRE HARNESS



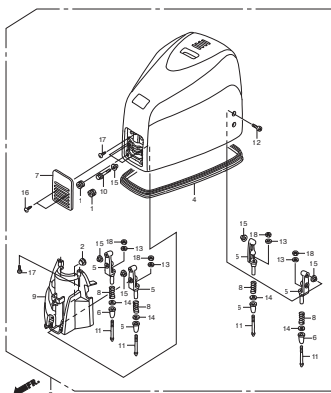
F-7-11 STARTER CABLE



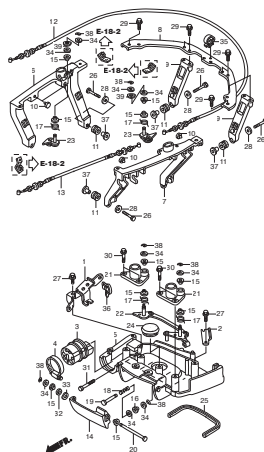
F-7-30 FUSE BOX/RELAY



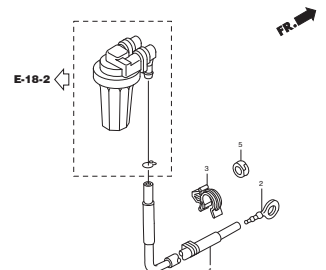
F-8 ENGINE COVER



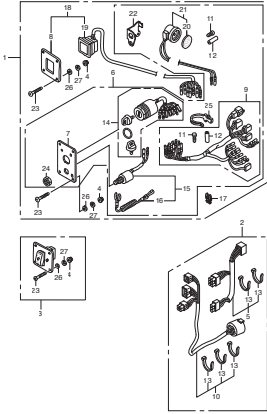
F-8-10 FR.COVER BRACKET/FRLOCK SHAFT



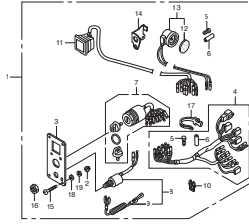
F-8-20 FUEL TUBE (2)



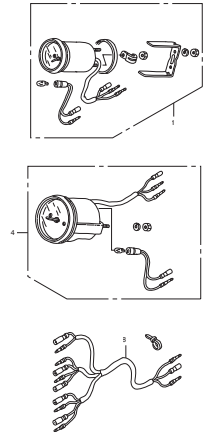
FOP-4 SWITCH PANEL KIT (1)



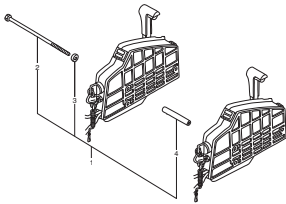
FOP-4-1 SWITCH PANEL KIT (2)



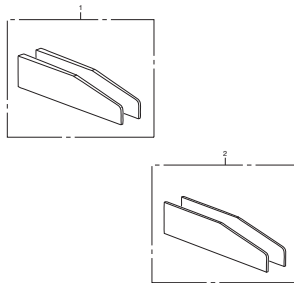
FOP-5-1 METER



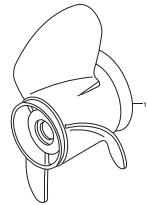
FOP-7 BOLT KIT



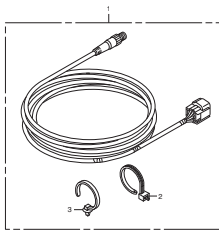
FOP-9 TRIM ADJUST PLATE SET



FOR-10 PROPELLER



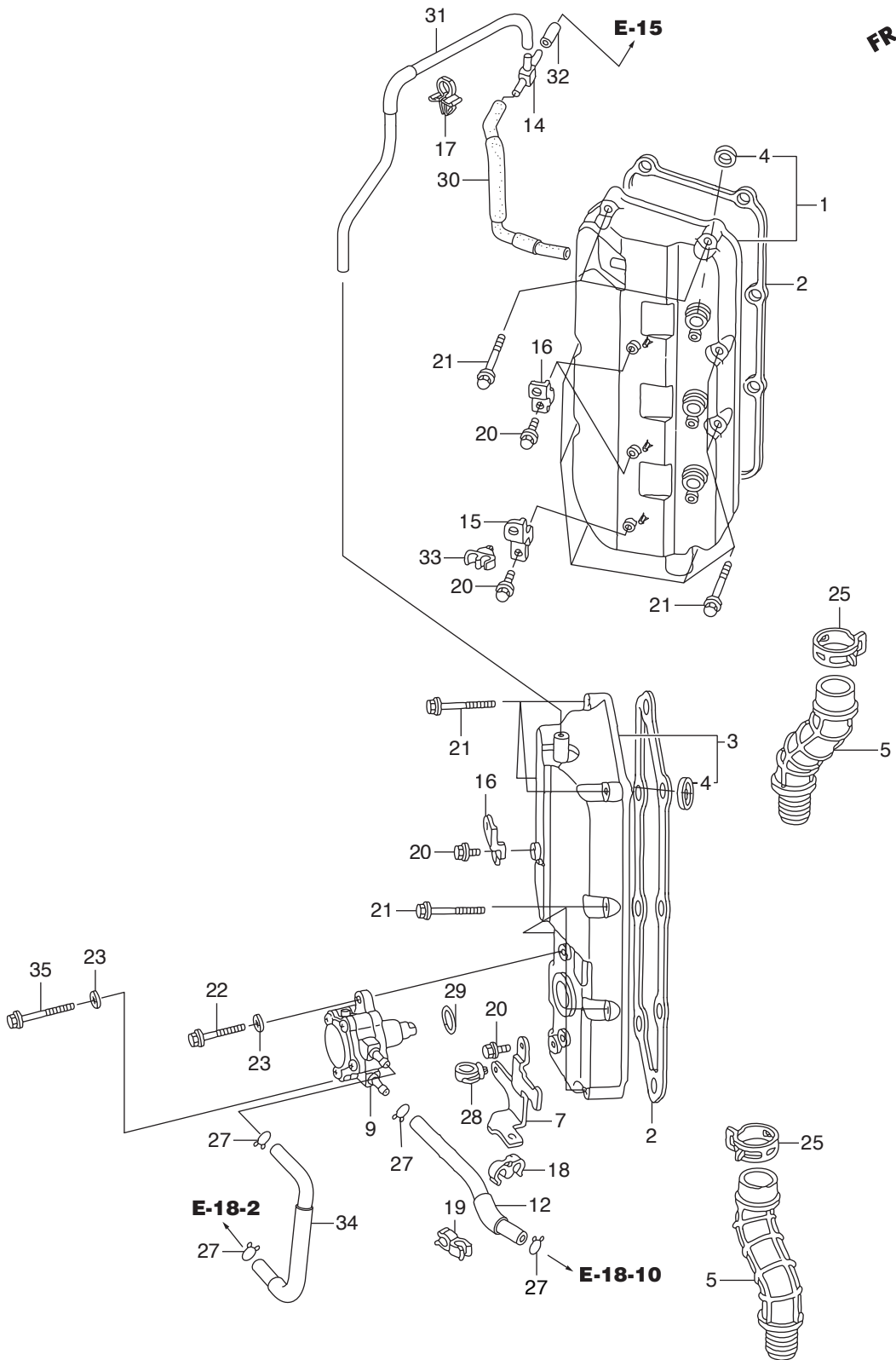
FOP-12 INTERFACE CABLE KIT



E-1

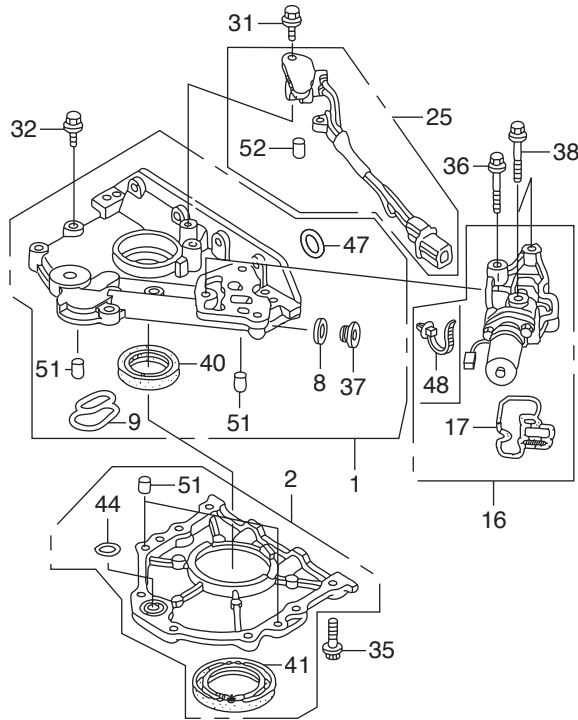
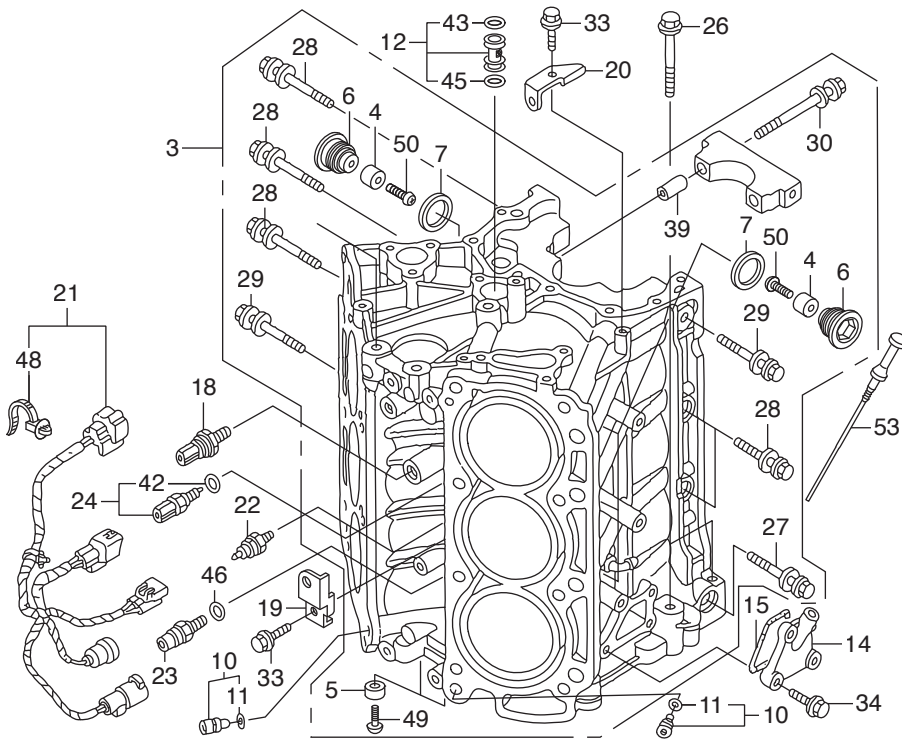
CYLINDER HEAD COVER

FR. →



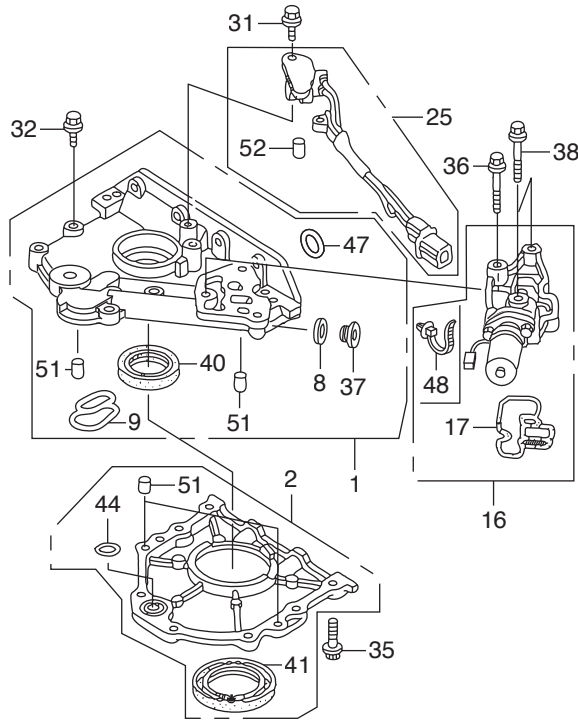
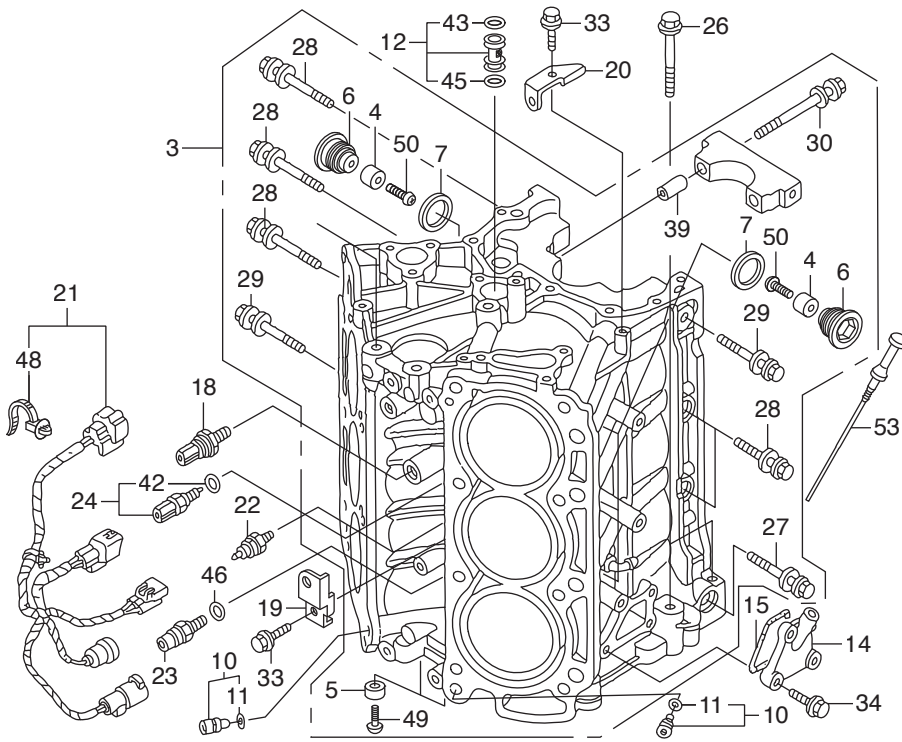
Ref.No.	Part No.	Description	Q' ty		Remarks	
			BFT200A	BFT225A		
E-1	1	HZY3-12310-405ZA	COVER, R. CYLINDER HEAD	1	1	*NH8* DARK GRAY
E-1	2	HZY3-12312-000	PACKING, HEAD COVER	2	2	
E-1	3	HZY3-12320-405ZA	COVER, L. CYLINDER HEAD	1	1	*NH8* DARK GRAY
E-1	4	HP08-12342-004	SEAL, SPARK PLUG TUBE(NOK)	6	6	
E-1	5	HZY3-15425-010	TUBE, OIL	2	2	
E-1	7	HZY3-16203-000	BRACKET, SOLENOID VALVE	1	1	
E-1	9	HZX2-16700-003	PUMP ASSY., FUEL	1	1	
E-1	12	HZY3-16895-C00	TUBE COMP. G, FUEL	1	1	
E-1	14	HMT2-17193-000	T-JOINT	1	1	
E-1	15	HZW9-32114-730	BRACKET, CLIP B	1	1	
E-1	16	HZY3-32129-000	BRACKET C, HARNESS CLIP	3	3	
E-1	17	HHE0-50310-003	CLIP A, WIRE	1	1	
E-1	18	HSE0-53740-953	CLIP, SENSOR HOSE	1	1	
E-1	19	HSD9-54316-013	CLIP, SHIFT WIRE	1	1	
E-1	20	HZW9-90011-000	BOLT, FLANGE, 6X14(CT200)	5	5	
E-1	21	HZW9-90019-000	BOLT, FLANGE, 6X35	16	16	
E-1	22	HZY3-90036-000	BOLT, FLANGE, 8X32	1	1	
E-1	23	HZY3-90406-000	WASHER, PLAIN, 8MM	2	2	
E-1	25	HZY3-90602-020	CLAMP, TUBE(D32.5)	2	2	
E-1	27	HZV0-90604-000	CLIP, TUBE(B12)	4	4	
E-1	28	HZB7-90691-003	CLIP, HARNESS	1	1	
E-1	29	HKT7-91305-003	O-RING, 37X2.4(ARAI)	1	1	
E-1	30	HZY3-91401-A00	TUBE COMP. A, BREATHER	1	1	
E-1	31	HZY3-91402-020	TUBE B, BREATHER	1	1	
E-1	32	HZY3-91403-000	TUBE C, BREATHER	1	1	
E-1	33	HSK7-91566-003	CLIP D, WASHER TUBE	1	1	
E-1	34	HZX2-16870-C00	TUBE COMP., FUEL(C)	1	1	
E-1	35	HZW4-90126-000	BOLT, FLANGE, 8X45	1	1	

FR. 



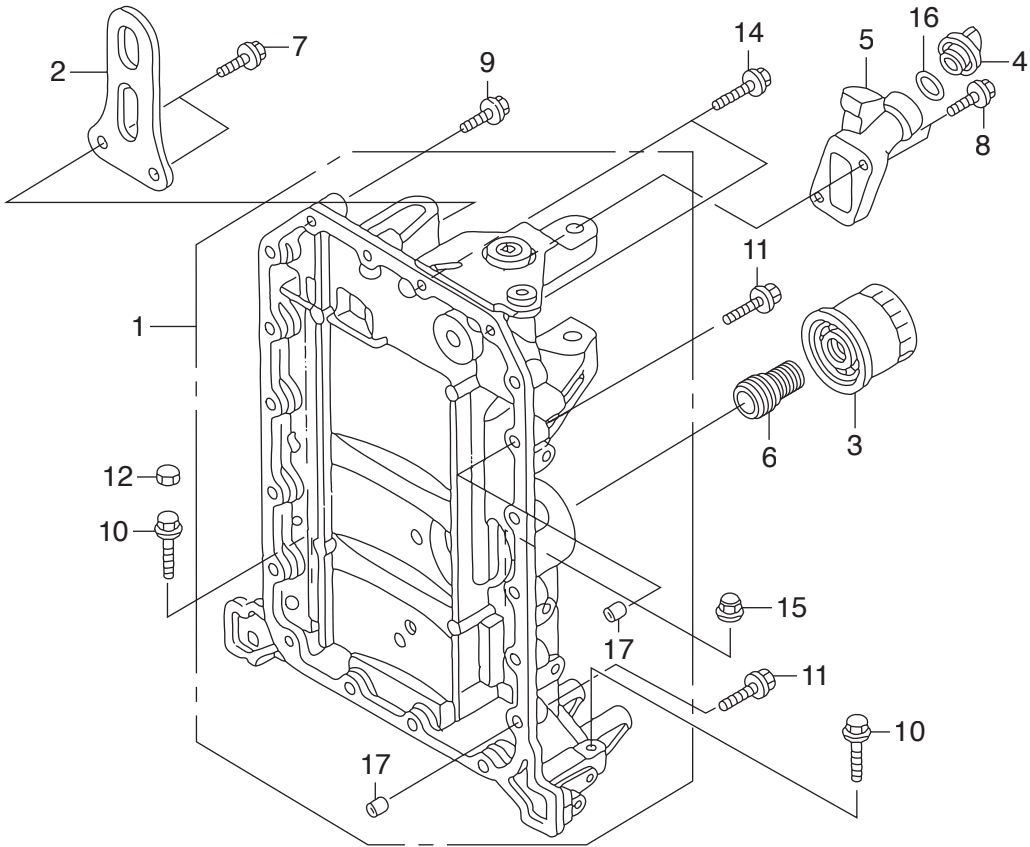
Ref.No.	Part No.	Description	Q' ty		Remarks	
			BFT200A	BFT225A		
E-3	1	HZY3-11200-010ZA	COVER ASSY., CRANKCASE UPPER	1	1	*NH8* DARK GRAY
E-3	2	HZY3-11300-C00	CASE ASSY., OIL SEAL	1	1	
E-3	3	HZY3-12000-436ZA	BLOCK ASSY., CYLINDER	1	1	*NH8* DARK GRAY
E-3	4	HZV4-12155-A00	METAL, ANODE	6	6	
E-3	5	HZY3-12155-000	METAL, ANODE	2	2	
E-3	6	HZY3-12164-000	BOLT, SEALING, 22MM	6	6	
E-3	7	HZY3-12171-305	WASHER, SEALING, 22MM	6	6	
E-3	8	HZV5-12214-000	WASHER, SEALING(22MM)	1	1	
E-3	9	HP8A-15115-A01	PACKING, OIL HOLE	1	1	
E-3	10	HP8A-15140-A00	ORIFICE ASSY., OIL CONTROL	2	2	
E-3	11	HP8A-15142-A00	O-RING, 8.8X2.4	2	2	
E-3	12	HP8A-15150-A00	JOINT ASSY., OIL PIPE	1	1	
E-3	14	HZY3-15656-000	COVER, OIL LEVEL GAUGE	1	1	
E-3	15	HZY3-15657-000	PACKING, OIL LEVEL GAUGE	1	1	
E-3	16	HZY2-15810-000ZA	VALVE ASSY., SPOOL	1		*NH8* DARK GRAY
E-3		HZY3-15810-003ZA	VALVE ASSY., SPOOL		1	*NH8* DARK GRAY
E-3	17	HZY2-15825-000	FILTER ASSY., SPOOL VALVE	1		
E-3		HZY3-15825-003	FILTER ASSY., SPOOL VALVE		1	
E-3	18	HRNA-30530-A01	SENSOR COMP., KNOCK	1	1	
E-3	19	HZW9-32114-730	BRACKET, CLIP B	1	1	
E-3	20	HZY3-32116-000	BRACKET B, HARNESS CLIP	1	1	
E-3	21	HZY3-32193-C00	CORD, SWITCH	1	1	
E-3	22	HZW9-35490-003	SWITCH ASSY., OIL PRESSURE	1	1	
E-3	23	HZY3-35490-004	SWITCH ASSY., OIL PRESSURE	1	1	
E-3	24	HZY3-35673-003	SENSOR ASSY., WATER	1	1	TEMPERATURE
E-3	25	HZY3-35700-003	SENSOR ASSY., CRANK	1	1	
E-3	26	HZY3-90001-000	BOLT, FLANGE, 12X95	2	2	
E-3	27	HZY3-90006-003	BOLT-WASHER, 10X109	1	1	
E-3	28	HZY3-90008-003	BOLT-WASHER, 10X60	5	5	

FR. 

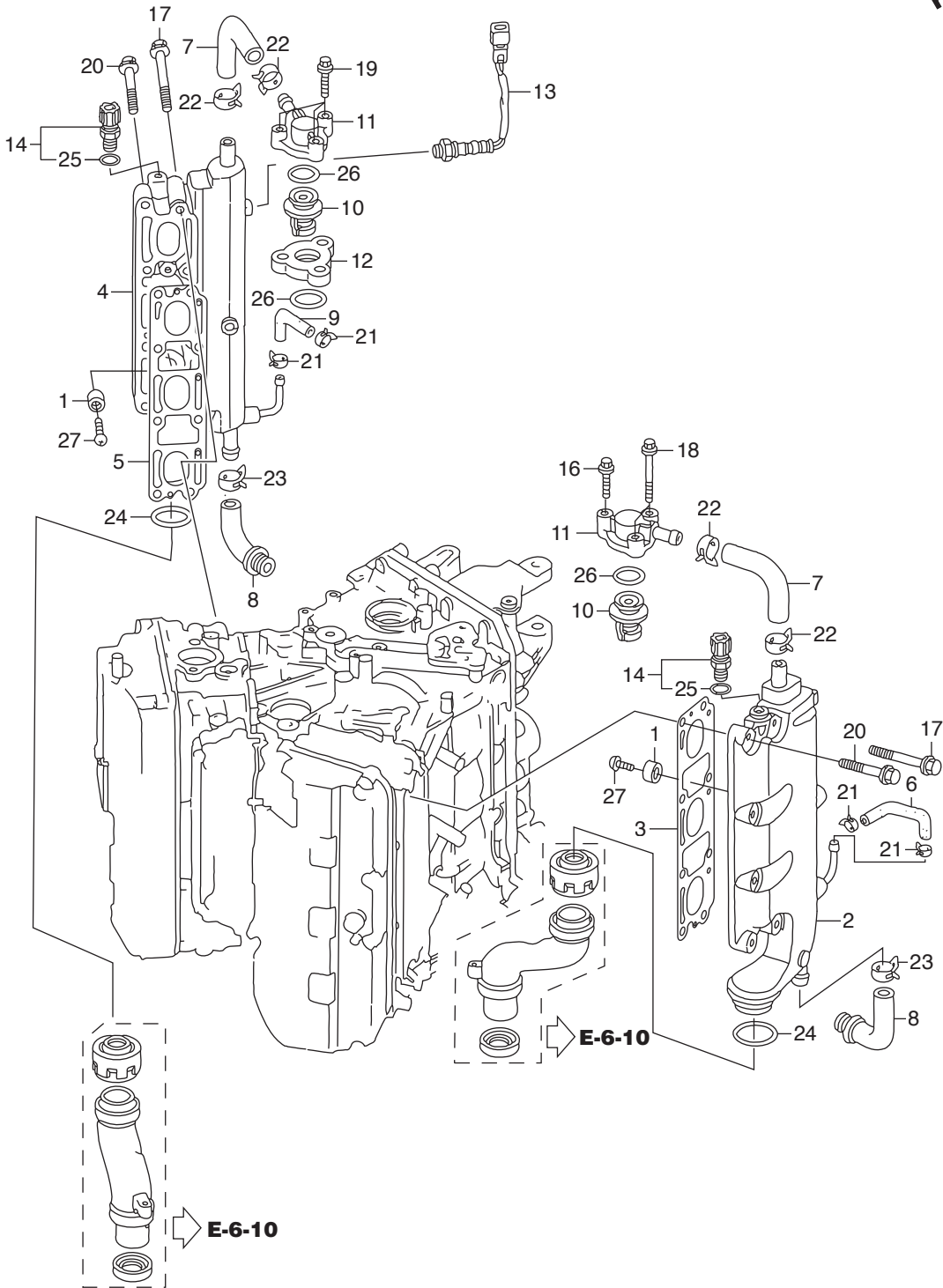


Ref.No.	Part No.	Description	Q' ty		Remarks	
			BFT200A	BFT225A		
E-3	29	HZY3-90009-003	BOLT-WASHER, 10X80	2	2	
E-3	30	HRCA-90014-A01	BOLT-WASHER, 11X105	8	8	
E-3	31	HZY3-90017-000	BOLT, FLANGE, 6X16	1	1	
E-3	32	HZW9-90019-000	BOLT, FLANGE, 6X35	7	7	
E-3	33	HZY3-90021-000	BOLT, FLANGE, 6X14	2	2	
E-3	34	HZY3-90028-000	BOLT, FLANGE, 6X18	4	4	
E-3	35	HZY3-90030-000	BOLT, FLANGE, 6X22	8	8	
E-3	36	HZY3-90038-000	BOLT, FLANGE, 8X75	1	1	
E-3	37	HZV5-90081-010	BOLT, SEALING, 22MM	1	1	
E-3	38	HZW4-90156-000	BOLT, FLANGE, 8X50	2	2	
E-3	39	HPH7-90715-000	DOWEL PIN, 13X37	8	8	
E-3	40	HZY3-91212-003	OIL SEAL, 41X66X8	1	1	
E-3	41	HPNA-91214-014	OIL SEAL, 80X98X10(ARAI)	1	1	
E-3	42	HPNA-91307-003	O-RING, 9.5X1.9	1	1	
E-3	43	HP8A-91308-A01	O-RING, 18.3X3.5	1	1	
E-3	44	HPK1-91308-003	O-RING, 26.2X2.4(NOK)	1	1	
E-3	45	HP8A-91309-A01	O-RING, 16.3X3.5	1	1	
E-3	46	HPR3-91319-003	O-RING, 13X1.5(ARAI)	1	1	
E-3	47	HP0X-91321-003	O-RING, 25X2.4(NOK)	1	1	
E-3	48	HS0A-91541-003	CLIP, HARNESS BAND(BLACK)	1	2	(145MM)
E-3	49	HCO-93500-05016-4J	SCREW, PAN, 5X16	2	2	
E-3	50	HCO-93500-05020-4J	SCREW, PAN, 5X20	6	6	
E-3	51	HCO-94301-06100	DOWEL PIN, 6X10	4	4	
E-3	52	HCO-94303-05080	DOWEL PIN, 5X8	1	1	
E-3	53	HZX2-15655-000	GAUGE COMP., OIL LEVEL	1	1	

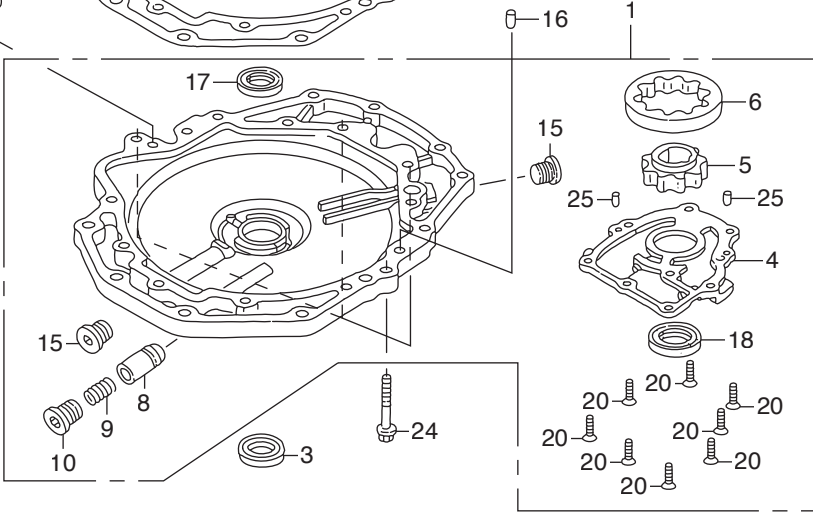
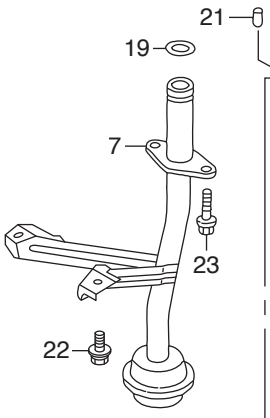
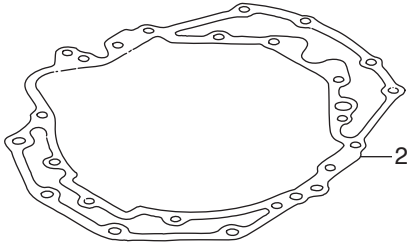
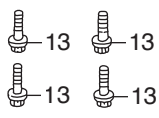
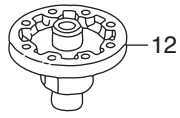
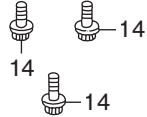
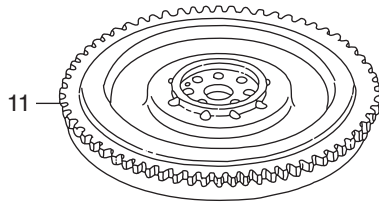
FR. 



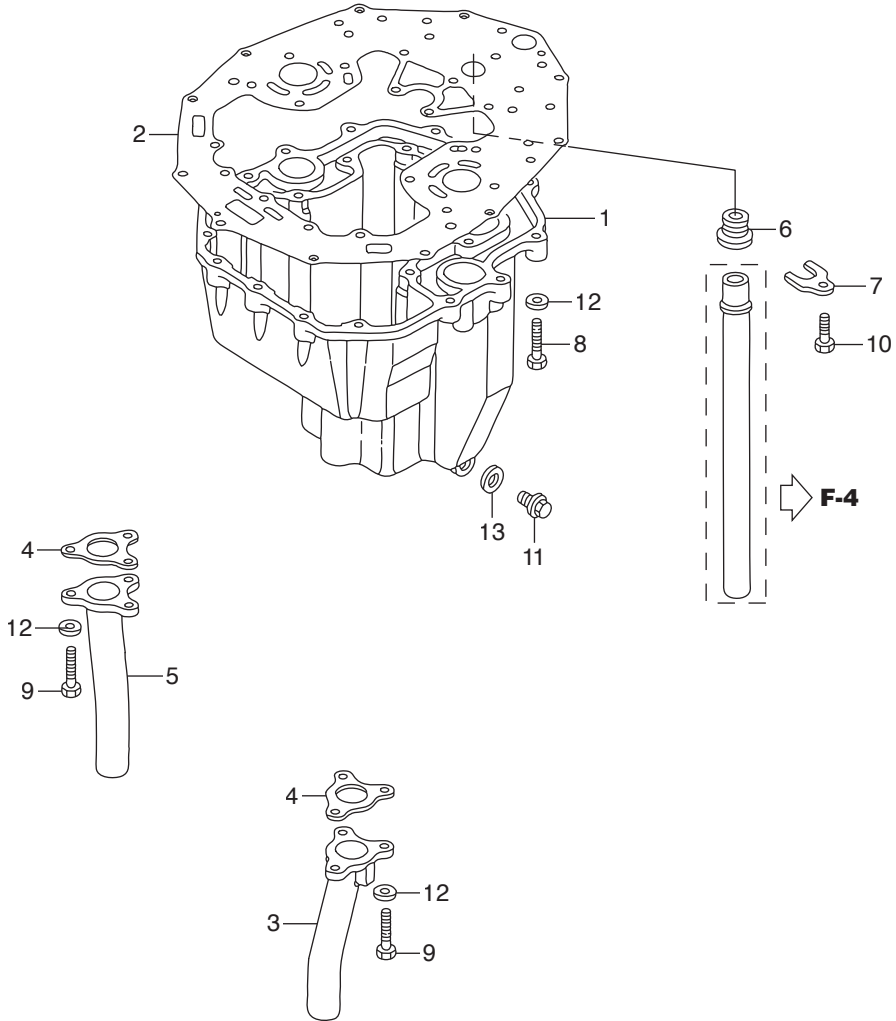
FR. →



Ref.No.	Part No.	Description	Q' ty		Remarks	
			BFT200A	BFT225A		
E-4	1	HZV5-12155-000	METAL, ANODE	4	4	
E-4	2	HZY3-18110-010ZA	MANIFOLD COMP., R. EX.	1	1	*NH8* DARK GRAY
E-4	3	HZY3-18115-003	GASKET, R. EX. MANIFOLD	1	1	
E-4	4	HZY3-18120-C01ZA	MANIFOLD COMP., L. EX.	1	1	*NH8* DARK GRAY
E-4	5	HZY3-18125-003	GASKET, L. EX. MANIFOLD	1	1	
E-4	6	HZY3-19255-000	TUBE, R. WATER RETURN	1	1	
E-4	7	HZY3-19256-010	TUBE, WATER RELIEF	2	2	
E-4	8	HZY3-19257-000	TUBE, WATER	2	2	
E-4	9	HZY3-19261-000	TUBE, L. WATER RETURN	1	1	
E-4	10	HZY3-19300-023	THERMOSTAT ASSY.	2	2	
E-4	11	HZY3-19315-020ZA	COVER, THERMOSTAT	2	2	*NH8* DARK GRAY
E-4	12	HZY3-19319-A00ZA	SPACER, THERMOSTAT	1	1	*NH8* DARK GRAY
E-4	13	HZY3-35655-C01	SENSOR, OXYGEN	1	1	
E-4	14	HZY3-35673-003	SENSOR ASSY., WATER	2	2	TEMPERATURE
E-4	16	HZW9-90019-000	BOLT, FLANGE, 6X35	1	1	
E-4	17	HZY3-90027-000	BOLT, FLANGE, 8X60	8	8	
E-4	18	HZY3-90034-000	BOLT, FLANGE, 6X60	2	2	
E-4	19	HZW4-90146-000	BOLT, FLANGE, 6X50	3	3	
E-4	20	HZW4-90155-000	BOLT, FLANGE, 8X40	8	8	
E-4	21	HZY3-90601-030	CLAMP, TUBE(D10.5)	4	4	
E-4	22	HZY3-90603-020	CLAMP, TUBE(D29)	4	4	
E-4	23	HZY3-90604-020	CLAMP, TUBE(D21)	2	2	
E-4	24	HZY3-91301-003	O-RING, 66.4X3.1	2	2	
E-4	25	HPNA-91307-003	O-RING, 9.5X1.9	2	2	
E-4	26	HSD4-91356-952	O-RING, 31.5X2.4(ARAI)	3	3	
E-4	27	HCO-93500-06018-4J	SCREW, PAN, 6X18	4	4	

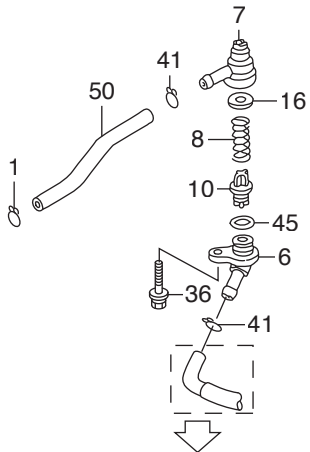


Ref.No.	Part No.	Description	Q' ty		Remarks	
			BFT200A	BFT225A		
E-5	1	HZY3-15100-000ZA	PUMP ASSY., OIL	1	1	*NH8* DARK GRAY
E-5	2	HZY3-15112-013	PACKING, OIL PUMP BODY	1	1	
E-5	3	HZY3-15113-000	RUBBER, OIL PUMP	1	1	
E-5	4	HZY3-15121-000	COVER, OIL PUMP	1	1	
E-5	5	HZY3-15131-405	ROTOR, OIL PUMP INNER	1	1	
E-5	6	HZY3-15132-405	ROTOR, OIL PUMP OUTER	1	1	
E-5	7	HZY3-15220-020	STRAINER COMP., OIL	1	1	
E-5	8	HPE0-15231-000	VALVE, RELIEF	1	1	
E-5	9	HPG6-15232-000	SPRING, RELIEF VALVE	1	1	
E-5	10	HPC6-15233-000	BOLT, SEALING, 18MM	1	1	
E-5	11	HZY3-31110-000ZA	FLYWHEEL COMP.	1	1	*TBLACK* BLACK
E-5	12	HZY3-31116-000	BOSS, FLYWHEEL	1	1	
E-5	13	HZW5-90002-013	BOLT, SPECIAL, 8MM	8	8	
E-5	14	HPH3-90011-000	BOLT, FLANGE, 12MM	8	8	
E-5	15	HZV5-90081-010	BOLT, SEALING, 22MM	2	2	
E-5	16	HPW5-90701-000	DOWEL PIN, 14X15	1	1	
E-5	17	HZW5-91201-003	OIL SEAL, 46X60X9	1	1	
E-5	18	HP01-91212-003	OIL SEAL, 31X46X7(NOK)	1	1	
E-5	19	HPC6-91324-000	O-RING, 20.6X2.6	1	1	
E-5	20	HCO-93600-06016-0A	SCREW, FLAT, 6X16	8	8	
E-5	21	HCO-94302-10160	PIN B, DOWEL, 10X16	1	1	
E-5	22	HCO-95701-06014-09	BOLT, FLANGE, 6X14	2	2	
E-5	23	HCO-95701-06018-09	BOLT, FLANGE, 6X18	2	2	
E-5	24	HCO-95701-08030-09	BOLT, FLANGE, 8X30	4	4	
E-5	25	HCO-96220-50080	ROLLER, 5X8	2	2	

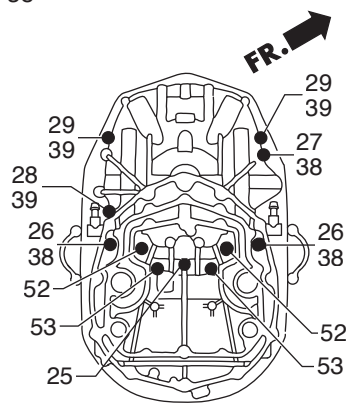
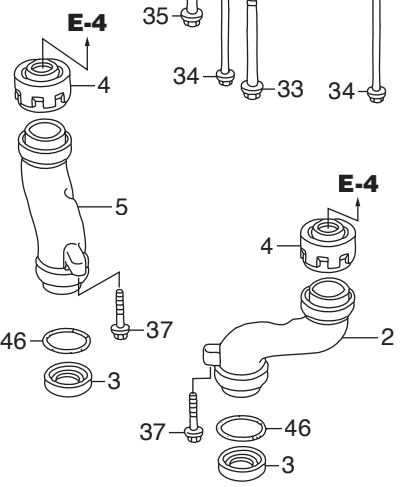
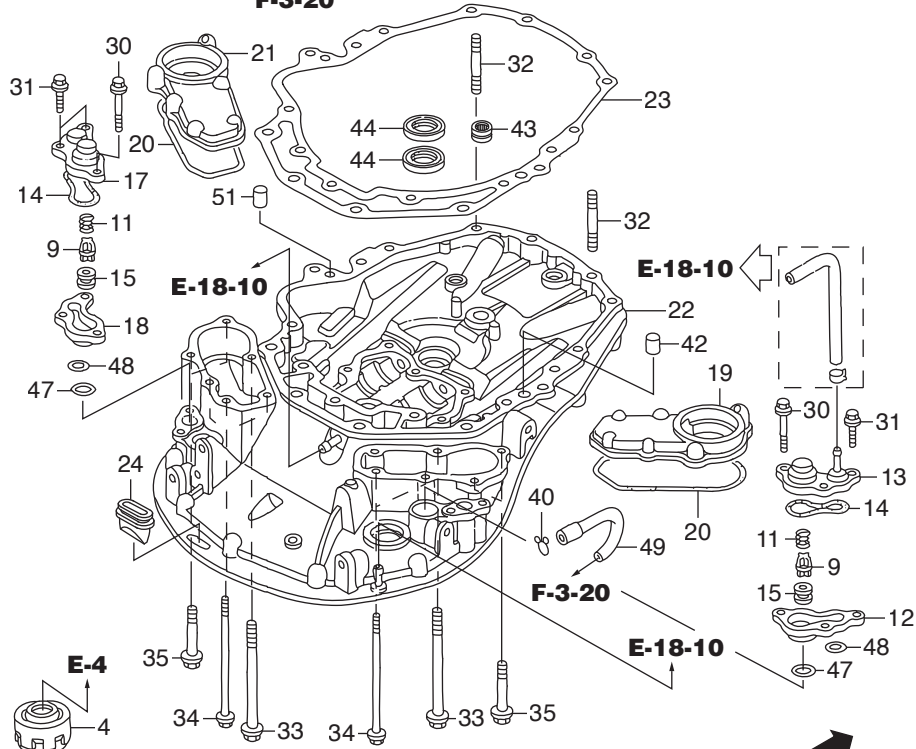


E-6-10

MOUNT CASE



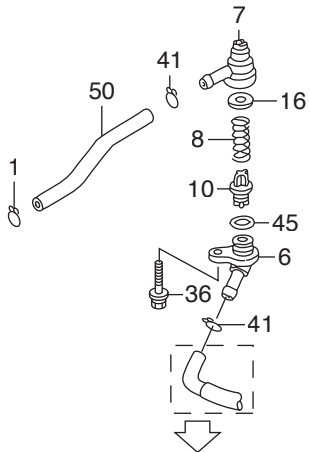
F-3-20



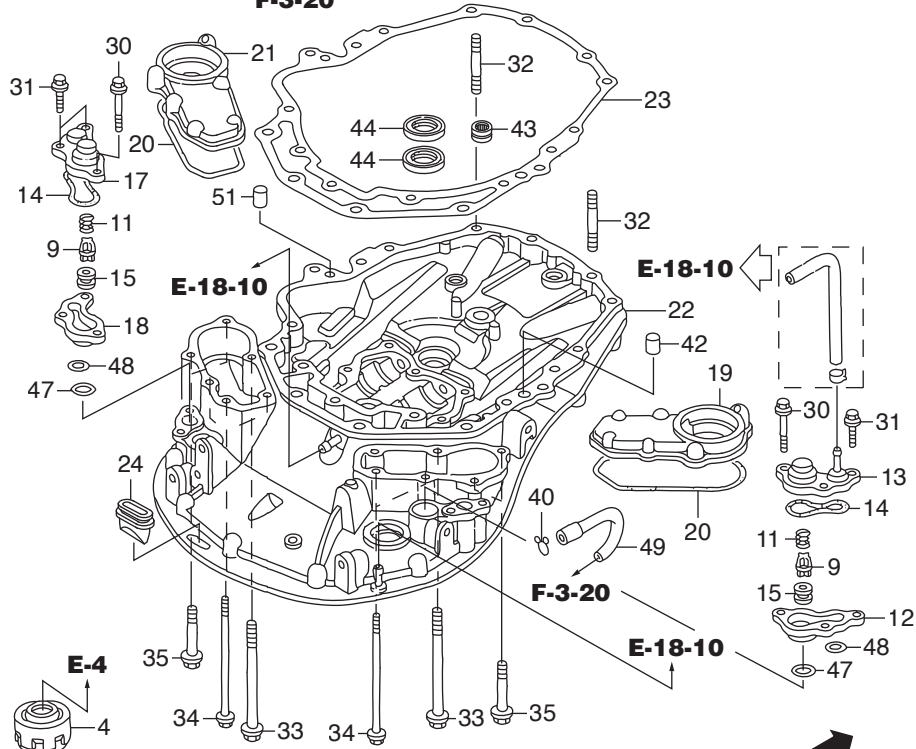
Ref.No.	Part No.	Description	Q' ty		Remarks	
			BFT200A	BFT225A		
E-6-10	1	HGHB-16163-610	CLIP, TUBE	1	1	
E-6-10	2	HZY3-18141-A00ZA	GUIDE, R. EX.	1	1	*TGRAY* GRAY
E-6-10	3	HZY3-18148-003	SEAL, EXHAUST GUIDE	2	2	
E-6-10	4	HZY3-18149-A01	SEAL B, EX. GUIDE	2	2	
E-6-10	5	HZY3-18151-A00ZA	GUIDE, L. EX.	1	1	*TGRAY* GRAY
E-6-10	6	HZY3-19277-000ZA	COVER, FLUSH VALVE	1	1	*NH8* DARK GRAY
E-6-10	7	HZY3-19278-000	CASE, FLUSH VALVE	1	1	
E-6-10	8	HZW9-19279-000	SPRING, FLUSH VALVE	1	1	
E-6-10	9	HZW5-19291-000	VALVE, RELIEF	2	2	
E-6-10	10	HZW9-19291-000	VALVE, FLASH	1	1	
E-6-10	11	HZW5-19292-000	SPRING, RELIEF VALVE	2	2	
E-6-10	12	HZY3-19294-000ZB	SPACER, R. RELIEF VALVE	1	1	*TGRAY* GRAY
E-6-10	13	HZY3-19295-000	COVER, R. RELIEF VALVE	1	1	
E-6-10	14	HZY3-19296-000	PACKING, RELIEF VALVE COVER	2	2	
E-6-10	15	HZW5-19297-000	PACKING, RELIEF VALVE	2	2	
E-6-10	16	HZW9-19297-000	PACKING, FLASH VALVE	1	1	
E-6-10	17	HZY3-19297-000	COVER, L. RELIEF VALVE	1	1	
E-6-10	18	HZY3-19298-000ZB	SPACER, L. RELIEF VALVE	1	1	*TGRAY* GRAY
E-6-10	19	HZY3-19361-000	COVER, R. WATER JACKET	1	1	
E-6-10	20	HZY3-19362-000	PACKING, WATER JACKET COVER	2	2	
E-6-10	21	HZY3-19366-000	COVER, L. WATER JACKET	1	1	
E-6-10	22	HZY3-23170-030ZA	CASE COMP., MOUNT	1	1	*NH8* DARK GRAY
E-6-10	23	HZY3-23172-003	GASKET, MOUNT CASE	1	1	
E-6-10	24	HZY3-23173-010	RUBBER, MOUNT CASE SEAL	1	1	
E-6-10	25	H371-90009-015	BOLT, FLANGE, 10X120(SATO)	1	1	
E-6-10	26	HZY3-90010-000	BOLT, HEX., 12X120	2	2	
E-6-10	27	HZY3-90011-000	BOLT, HEX., 12X65	1	1	
E-6-10	28	HZY3-90013-000	BOLT, HEX., 10X85	1	1	
E-6-10	29	HZY3-90015-000	BOLT, HEX., 10X60	2	2	

E-6-10

MOUNT CASE

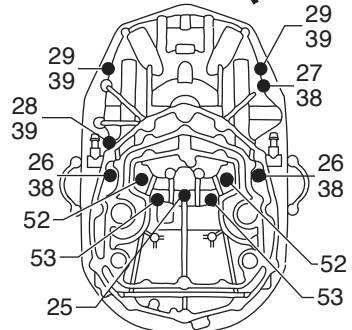
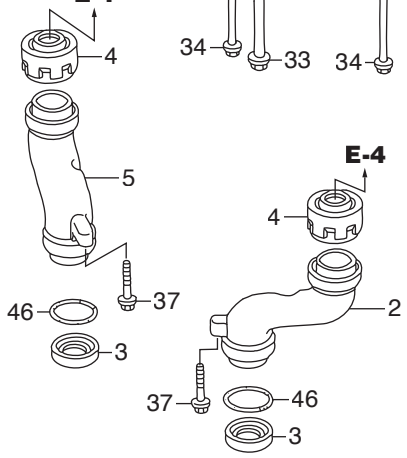


F-3-20

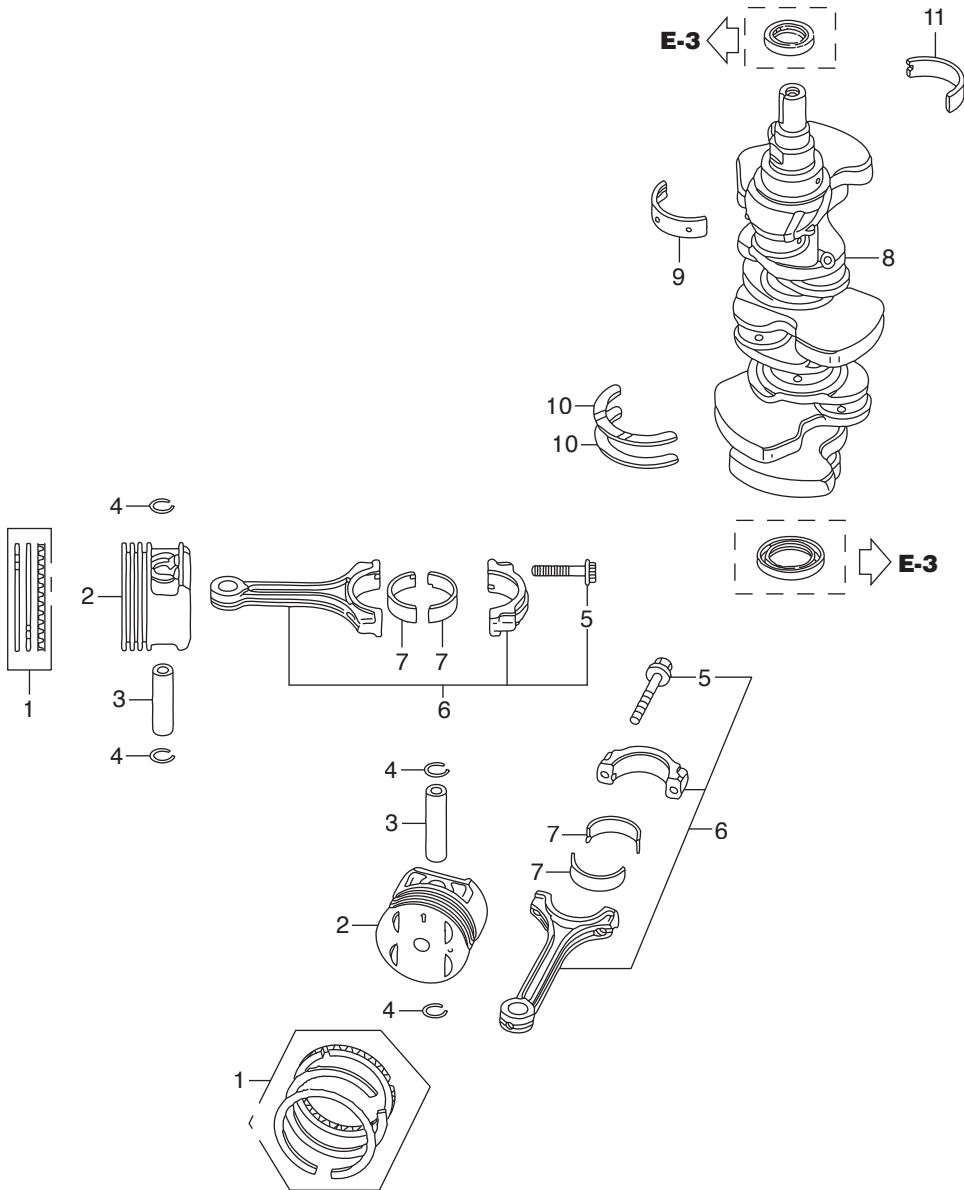


E-4

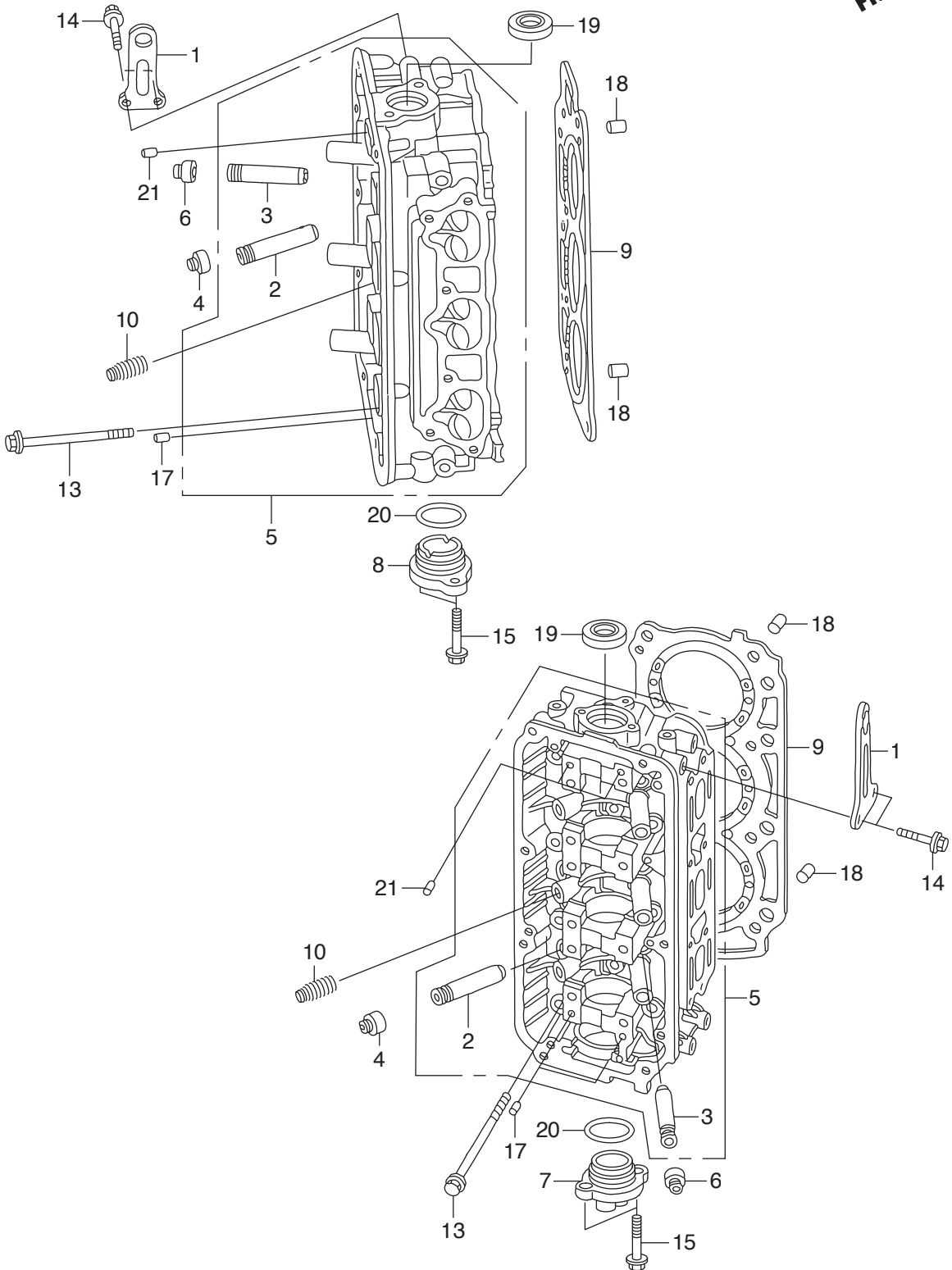
E-4

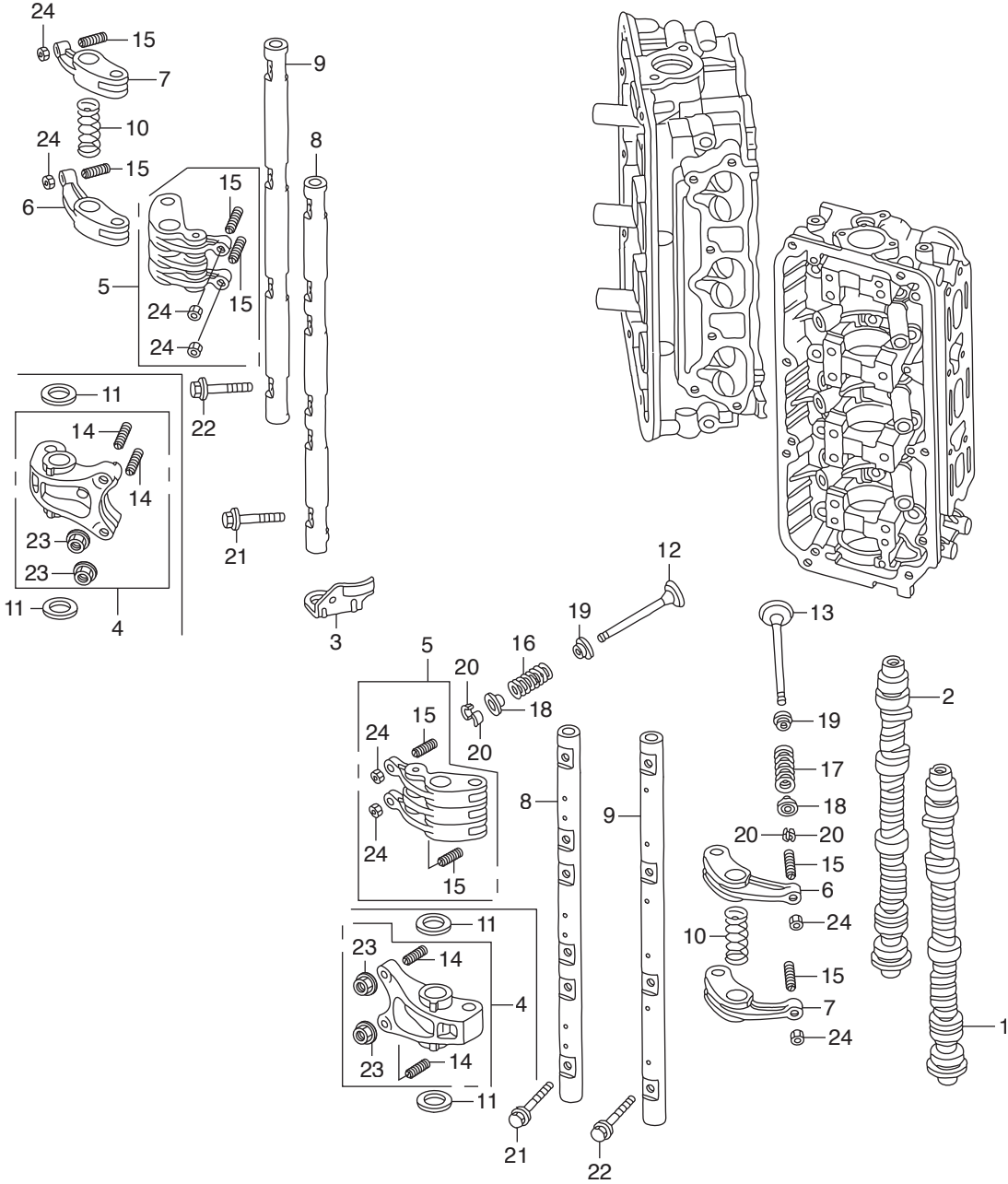


Ref.No.	Part No.	Description	Q' ty		Remarks	
			BFT200A	BFT225A		
E-6-10	30	HZY3-90030-000	BOLT, FLANGE, 6X22	2	2	
E-6-10	31	HZY3-90031-000	BOLT, FLANGE, 6X32	4	4	
E-6-10	32	HZY3-90045-000	BOLT, STUD, 10X45	2	2	
E-6-10	33	HZY3-90046-000	BOLT, FLANGE, 8X100	2	2	
E-6-10	34	HZY3-90047-000	BOLT, WASHER, 6X121	6	6	
E-6-10	35	HZY3-90049-000	BOLT, FLANGE, 8X30	4	4	
E-6-10	36	HZY3-90059-000	BOLT-WASHER, 6X29	1	1	
E-6-10	37	HHW1-90207-671	BOLT, FLANGE, 6X40	2	2	
E-6-10	38	HZV5-90559-000	WASHER, PLAIN, 12MM	3	3	
E-6-10	39	HZV5-90563-000	WASHER, PLAIN, 10MM	3	3	
E-6-10	40	HZV4-90603-000	CLIP, TUBE(B10)	1	1	
E-6-10	41	HZV4-90605-000	CLIP, TUBE(B12.5)	2	2	
E-6-10	42	HPW5-90701-000	DOWEL PIN, 14X15	1	1	
E-6-10	43	HZY3-91001-003	BEARING, NEEDLE, 20X28X13	1	1	(SOLID)
E-6-10	44	HZW5-91202-003	SEAL, WATER, 22X35X7	2	2	
E-6-10	45	H800-91303-000	O-RING, 16MM	1	1	
E-6-10	46	HZY3-91304-000	O-RING, 49.4X3.1	2	2	
E-6-10	47	HZY3-91305-003	O-RING, 33.5X2	2	2	
E-6-10	48	HZY3-91306-003	O-RING, 23.5X2	2	2	
E-6-10	49	HZY3-91404-000	TUBE, WATER CHECK	1	1	
E-6-10	50	HZY3-91405-000	TUBE, FLUSH VALVE	1	1	
E-6-10	51	HCO-94302-10160	PIN B, DOWEL, 10X16	1	1	
E-6-10	52	HCO-95701-10070-09	BOLT, FLANGE, 10X70	2	2	
E-6-10	53	HCO-95701-12120-09	BOLT, FLANGE, 12X120	2	2	



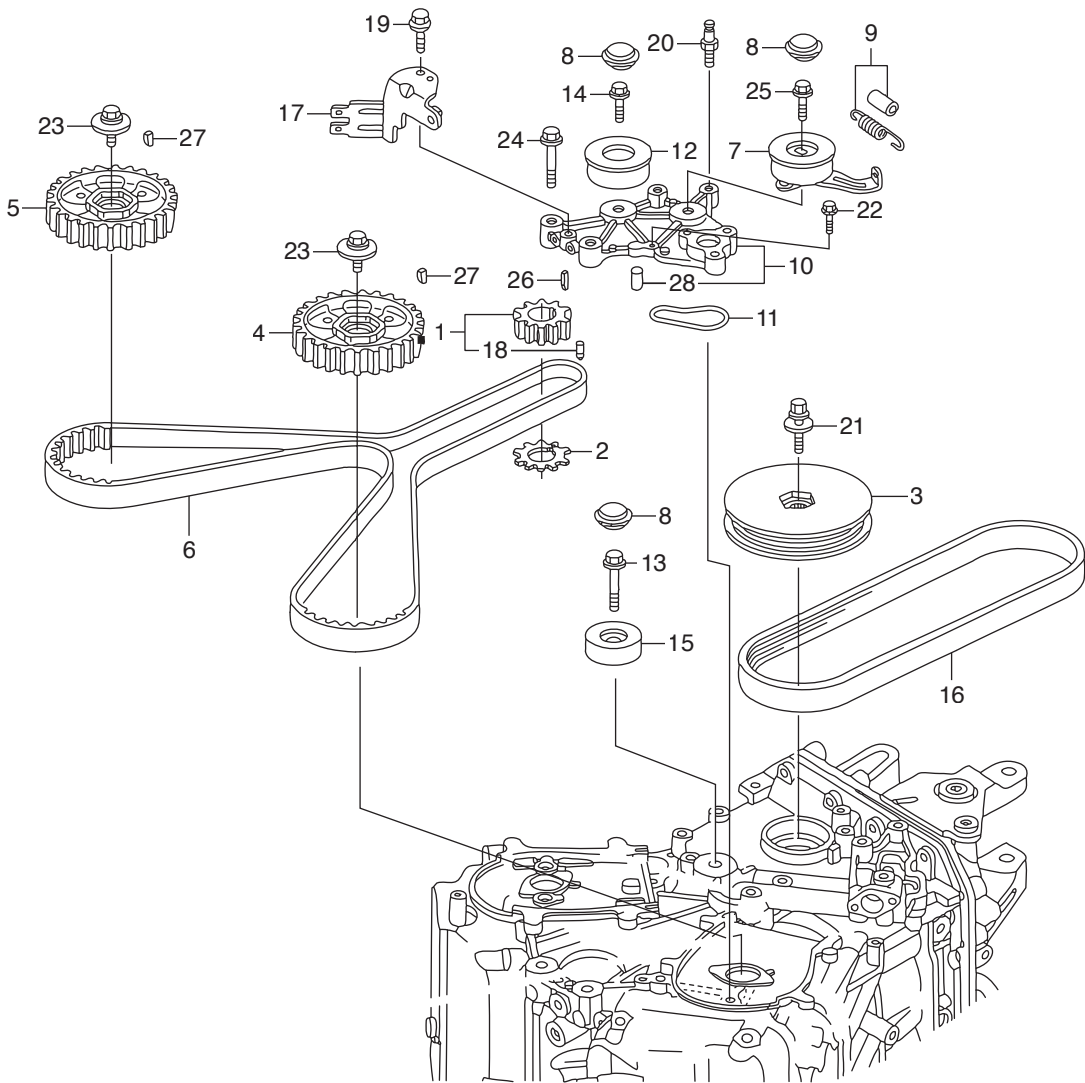
Ref.No.	Part No.	Description	Q' ty		Remarks	
			BFT200A	BFT225A		
E-7	1	HZY3-13010-A00	RING SET, PISTON(STD.)	6	6	
E-7		HZY3-13011-A00	RING SET, PISTON(0.25)	6	6	
E-7	2	HZY3-13101-A00	PISTON	6	6	
E-7		HZY3-13102-A00	PISTON(0.25)	6	6	
E-7	3	HPEA-13111-000	PIN, PISTON	6	6	
E-7	4	HP5A-13115-000	CLIP, PISTON PIN	12	12	
E-7	5	HP8A-13204-A01	BOLT, CONNECTING ROD	12	12	
E-7	6	HR70-13210-A10	ROD COMP., CONNECTING	6	6	
E-7	7	HP8F-13211-A11	BEARING A, CONNECTING ROD	12	12	(BLACK)(TAIHO)
E-7		HP8F-13212-A11	BEARING B, CONNECTING ROD	12	12	(BROWN)(TAIHO)
E-7		HP8F-13213-A11	BEARING C, CONNECTING ROD	12	12	(GREEN)(TAIHO)
E-7		HP8F-13214-A11	BEARING D, CONNECTING ROD	12	12	(YELLOW)(TAIHO)
E-7		HP8F-13215-A11	BEARING E, CONNECTING ROD	12	12	(PINK)(TAIHO)
E-7	8	HRGL-13310-A00	CRANKSHAFT COMP.	1	1	
E-7	9	HP8A-13321-A01	BEARING A, MAIN UPPER(BLACK)	4	4	(DAIDO)
E-7		HP8A-13322-A01	BEARING B, MAIN UPPER(BROWN)	4	4	(DAIDO)
E-7		HP8A-13323-A01	BEARING C, MAIN UPPER(GREEN)	4	4	(DAIDO)
E-7		HP8A-13324-A01	BEARING D, MAIN UPPER(YELLOW)	4	4	(DAIDO)
E-7		HP8A-13325-A01	BEARING E, MAIN UPPER(PINK)	4	4	(DAIDO)
E-7		HP8A-13326-A01	BEARING F, MAIN UPPER(RED)	4	4	(DAIDO)
E-7	10	HZY3-13331-A03	WASHER, THRUST	2	2	
E-7	11	HP8A-13341-A01	BEARING A, MAIN LOWER(BLACK)	4	4	(DAIDO)
E-7		HP8A-13342-A01	BEARING B, MAIN LOWER(BROWN)	4	4	(DAIDO)
E-7		HP8A-13343-A01	BEARING C, MAIN LOWER(GREEN)	4	4	(DAIDO)
E-7		HP8A-13344-A01	BEARING D, MAIN LOWER(YELLOW)	4	4	(DAIDO)
E-7		HP8A-13345-A01	BEARING E, MAIN LOWER(PINK)	4	4	(DAIDO)
E-7		HP8A-13346-A01	BEARING F, MAIN LOWER(RED)	4	4	(DAIDO)





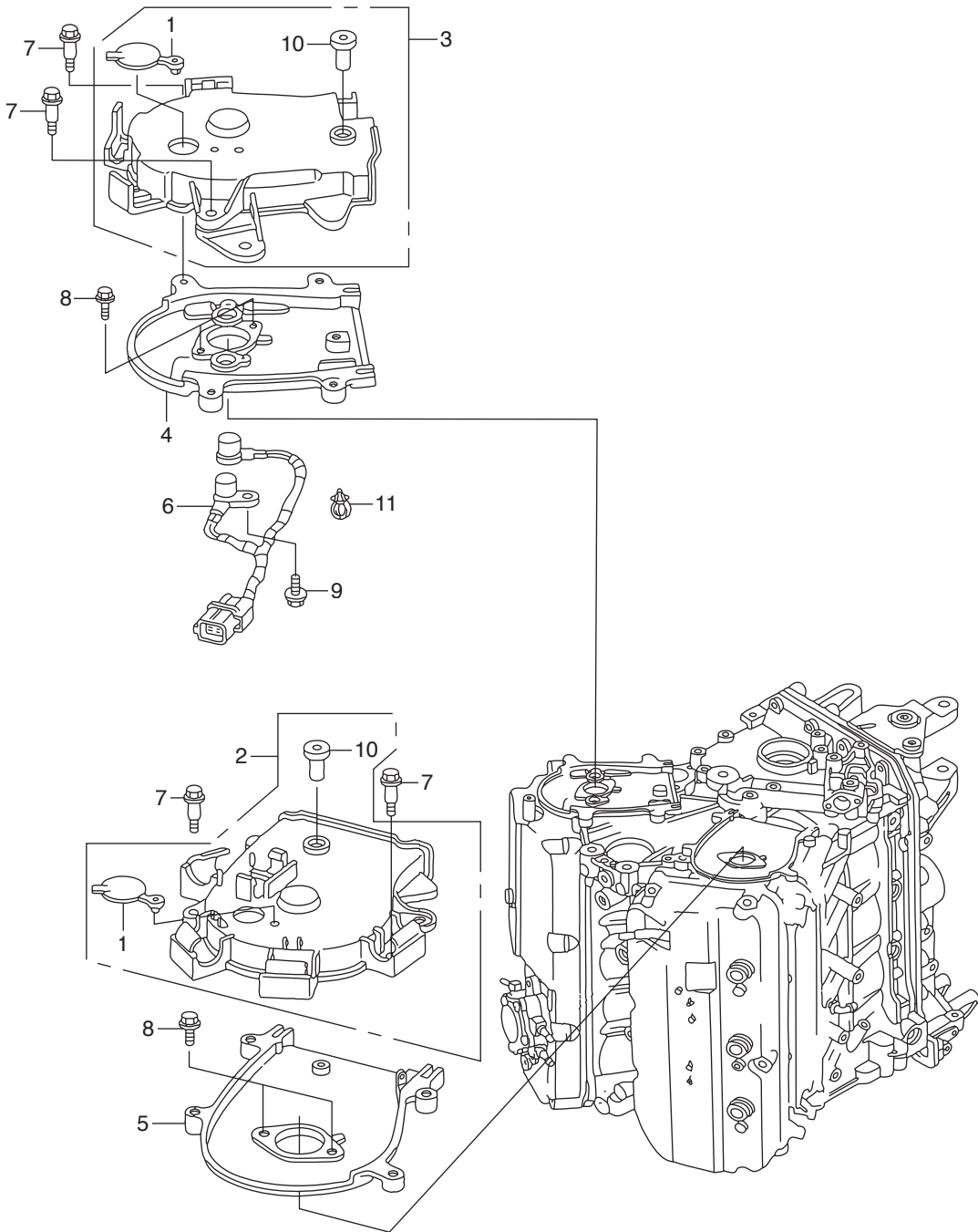
Ref.No.	Part No.	Description	Q'ty		Remarks	
			BFT200A	BFT225A		
E-9-10	1	HZY2-14111-A00	CAMSHAFT, R.	1		
E-9-10		HZY3-14111-A00	CAMSHAFT, R.		1	
E-9-10	2	HZY2-14211-A00	CAMSHAFT, L.	1		
E-9-10		HZY3-14211-A00	CAMSHAFT, L.		1	
E-9-10	3	HZY3-14436-000	ARM, FUEL PUMP ROCKER	1	1	
E-9-10	4	HRDV-14610-J00	ARM ASSY., FR. INTAKE ROCKER	6		
E-9-10	5	HP8A-14620-A01	ARM ASSY., INTAKE ROCKER		6	
E-9-10	6	HP8A-14626-A00	ARM COMP. A, EX. ROCKER	6	6	
E-9-10	7	HP8A-14627-A00	ARM COMP. B, EX. ROCKER	6	6	
E-9-10	8	HRDV-14631-J00	SHAFT COMP., FR. INTAKE ROCKER	2		ARM
E-9-10		HP8A-14631-A00	SHAFT COMP., INTAKE ROCKER ARM		2	
E-9-10	9	HRCA-14632-A00	SHAFT COMP., EX. ROCKER ARM	2	2	
E-9-10	10	HP8A-14645-A01	SPRING, ROCKER ARM	6	6	
E-9-10	11	HRDV-14646-J00	WASHER, THRUST	12		
E-9-10	12	HPXK-14711-000	VALVE, IN.	12	12	
E-9-10	13	HRJA-14721-E00	VALVE, EX.	12	12	
E-9-10	14	HPM3-14744-000	SCREW, TAPPET ADJUSTING	12		
E-9-10	15	HPT0-14744-004	SCREW, TAPPET ADJUSTING	12	24	
E-9-10	16	HP8E-14761-A01	SPRING, IN. VALVE(GRAY)	12	12	(NIPPON HATSUJO)
E-9-10	17	HP8E-14762-A01	SPRING, EX. VALVE	12	12	(YELLOW GREEN)
E-9-10	18	HRDV-14765-J00	RETAINER, VALVE SPRING	24	24	
E-9-10	19	HPM3-14775-000	SEAT, VALVE SPRING	24	24	
E-9-10	20	HRGM-14781-A01	COTTER, VALVE(FUJI VALVE)	48	48	
E-9-10	21	HP8A-90003-A00	BOLT, FLANGE, 8X30	12	12	
E-9-10	22	HP8A-90004-A00	BOLT, FLANGE, 8X40	8	8	
E-9-10	23	HPM3-90206-004	NUT, TAPPET ADJUSTING	12		(TOKAI TRW)
E-9-10	24	HPT0-90206-004	NUT, TAPPET ADJUSTING	12	24	

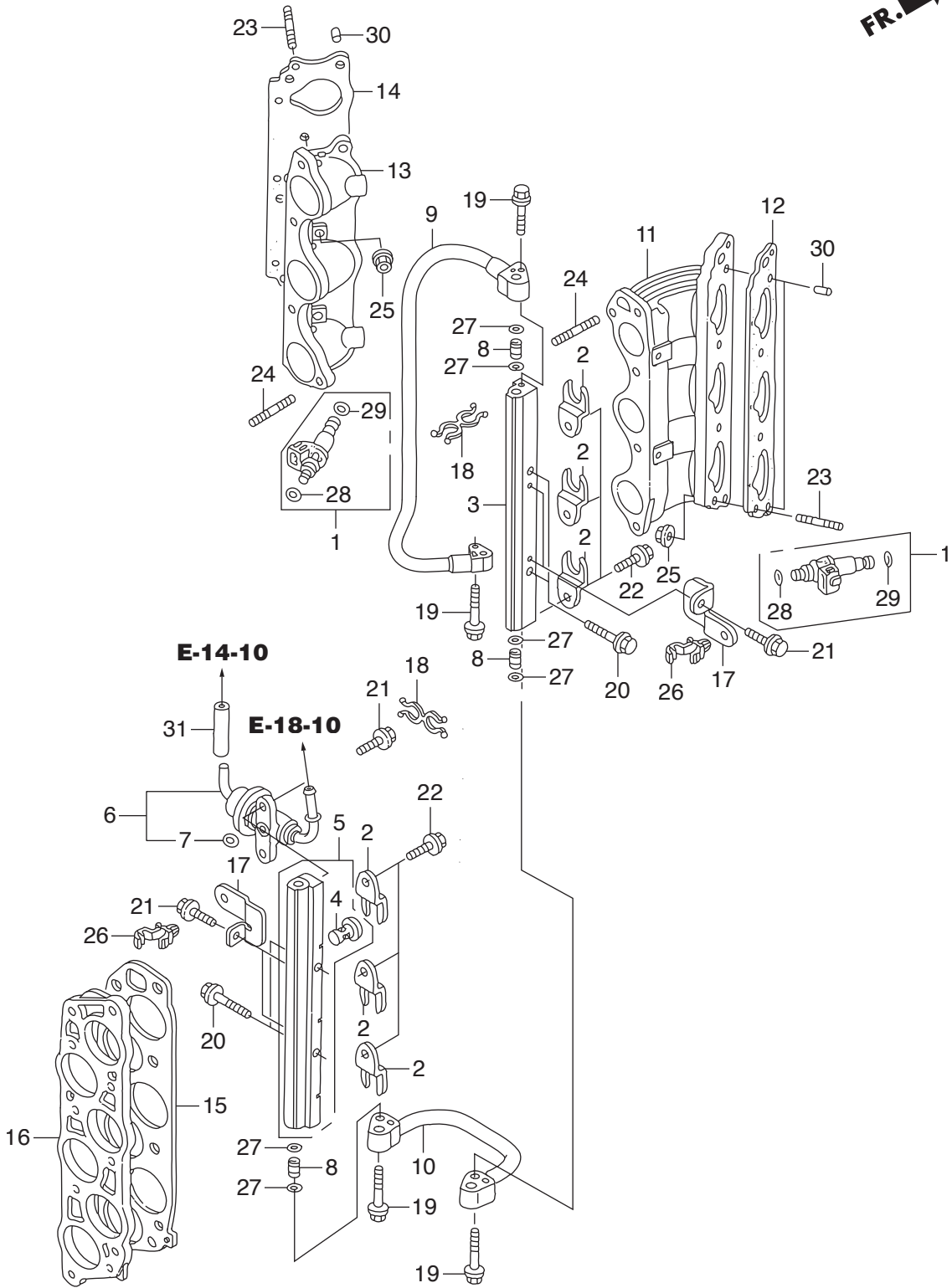
FR. 



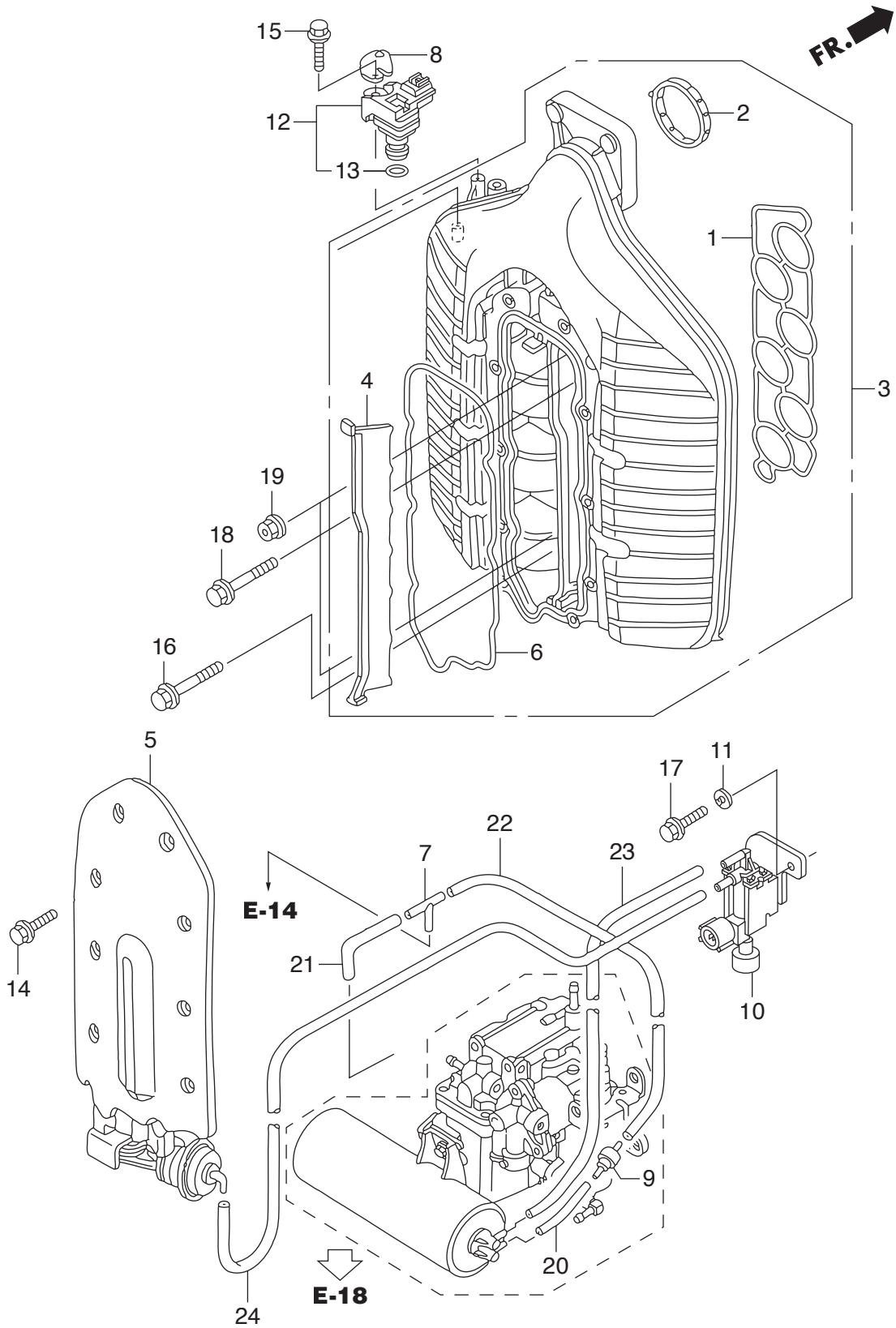
Ref.No.	Part No.	Description	Q' ty		Remarks	
			BFT200A	BFT225A		
E-13	1	HZY3-13621-C01	PULLEY, TIMING BELT DRIVE	1	1	
E-13	2	HZY3-13622-C00	PLATE, TIMING BELT GUIDE	1	1	
E-13	3	HZY3-13811-A00	PULLEY, CRANKSHAFT	1	1	
E-13	4	HZY3-14261-C00	PULLEY COMP., R. TIMING BELT	1	1	DRIVEN
E-13	5	HZY3-14270-C00	PULLEY COMP., L. TIMING BELT	1	1	DRIVEN
E-13	6	HP8A-14400-A01	BELT, TIMING(197YU26 B-333)	1	1	
E-13	7	HZY3-14510-003	TENSIONER COMP., TIMING BELT	1	1	
E-13	8	HZY3-14515-000	CAP, TIMING BELT TENSIONER	3	3	
E-13	9	HZY3-14520-000	SPRING COMP., TIMING BELT	1	1	ADJUSTING
E-13	10	HZY3-14526-405ZA	BASE COMP., TIMING BELT	1	1	TENSIONER *NH8* DARK GRAY
E-13	11	HZY3-14529-000	O-RING, TIMING BELT TENSIONER	1	1	BASE
E-13	12	HZY3-14550-003	IDLER, TIMING BELT(KOYO SEIKO)	1	1	
E-13	13	HP8A-14551-A01	BOLT, IDLER	1	1	
E-13	14	HZY3-14553-003	BOLT, TIMING BELT IDLER A	1	1	
E-13	15	HZY3-14555-003	IDLER B, TIMING BELT	1	1	
E-13	16	HZY3-31638-003	BELT, A.C. GENERATOR	1	1	(6PK745 M-180)
E-13	17	HZY3-32111-010	BRACKET, COUPLER D	1	1	
E-13	18	HZV0-41122-000	PIN, VERTICAL SHAFT	1	1	
E-13	19	HZW9-90011-000	BOLT, FLANGE, 6X14(CT200)	1	1	
E-13	20	HZV5-90012-013	BOLT, TIMING BELT ADJUSTING	1	1	SPRING
E-13	21	HRJA-90017-003	BOLT-WASHER, 16X49	1	1	
E-13	22	HZY3-90030-000	BOLT, FLANGE, 6X22	1	1	
E-13	23	HP8A-90031-A01	BOLT-WASHER, 12X35	2	2	
E-13	24	HZY3-90039-000	BOLT, FLANGE, 10X40	3	3	
E-13	25	HZY3-90040-000	BOLT, FLANGE, 10X43	1	1	
E-13	26	HRCA-90704-A00	KEY, 4.5X24	1	1	
E-13	27	HZY3-90741-000	KEY, SPECIAL	2	2	
E-13	28	HCO-94301-06100	DOWEL PIN, 6X10	1	1	

FR. 

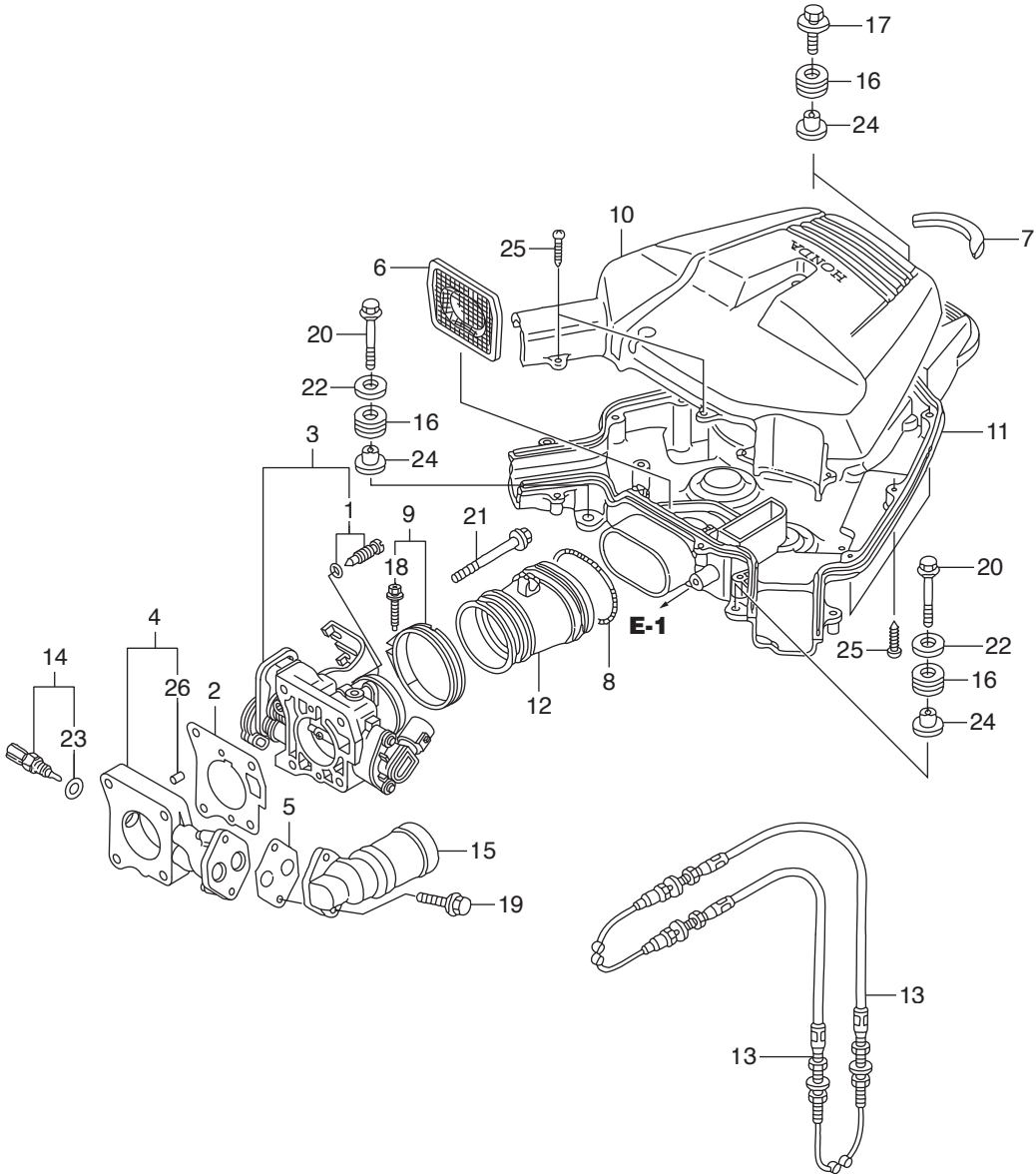




Ref.No.	Part No.	Description	Q' ty		Remarks	
			BFT200A	BFT225A		
E-14	1	HZY6-16450-003	INJECTOR ASSY., FUEL	6	6	
E-14	2	HZY3-16451-000	CLIP, INJECTOR	6	6	
E-14	3	HZY3-16611-A00	PIPE, R. FUEL	1	1	
E-14	4	HP5G-16614-003	MESH, FUEL FILTER	1	1	
E-14	5	HZY3-16620-A00	PIPE COMP., L. FUEL	1	1	
E-14	6	HZY3-16740-A01	REGULATOR ASSY., PRESSURE	1	1	
E-14	7	HPG7-16741-005	O-RING, PRESSURE REGULATOR	1	1	
E-14	8	HZY3-16752-A00	JOINT, FUEL PIPE	3	3	
E-14	9	HZY3-16755-003	HOSE COMP., FUEL	1	1	
E-14	10	HZY3-16757-003	HOSE COMP., FUEL JOINT	1	1	
E-14	11	HZY3-17051-A00	BASE, R. INJECTOR	1	1	
E-14	12	HRCA-17055-A01	GASKET, FR. INJECTOR BASE	1	1	
E-14	13	HZY3-17061-A00	BASE, L. INJECTOR	1	1	
E-14	14	HRCA-17065-A01	GASKET, RR. INJECTOR BASE	1	1	
E-14	15	HP8E-17105-A01	GASKET, INTAKE MANIFOLD	1	1	
E-14	16	HZY3-17108-000	SPACER, INTAKE MANIFOLD	1	1	
E-14	17	HZY3-32112-000	BRACKET, HARNESS CLIP A	4	4	
E-14	18	HSJ6-78419-003	CLIP D, SPEEDOMETER CABLE	2	2	
E-14	19	HZW9-90016-000	BOLT, FLANGE, 6X25	4	4	
E-14	20	HZW9-90019-000	BOLT, FLANGE, 6X35	4	4	
E-14	21	HZY3-90021-000	BOLT, FLANGE, 6X14	6	6	
E-14	22	HZY3-90042-000	BOLT, FLANGE, 6X10	6	6	
E-14	23	HZY3-90043-000	BOLT, STUD, 8X28	8	8	
E-14	24	HZY3-90044-000	BOLT, STUD, 8X45	2	2	
E-14	25	HZY3-90205-000	NUT, FLANGE, 8MM	8	8	
E-14	26	HSB2-90650-003	CLIP, WIRE HARNESS, 10MM	4	4	
E-14	27	HMJ0-91301-003	O-RING, 7.8X1.9(ARAI)	6	6	
E-14	28	HPLC-91301-000	O-RING, 7.47X3.6	6	6	
E-14	29	HPNA-91302-003	O-RING, 7.45X3.61(NOK)	6	6	

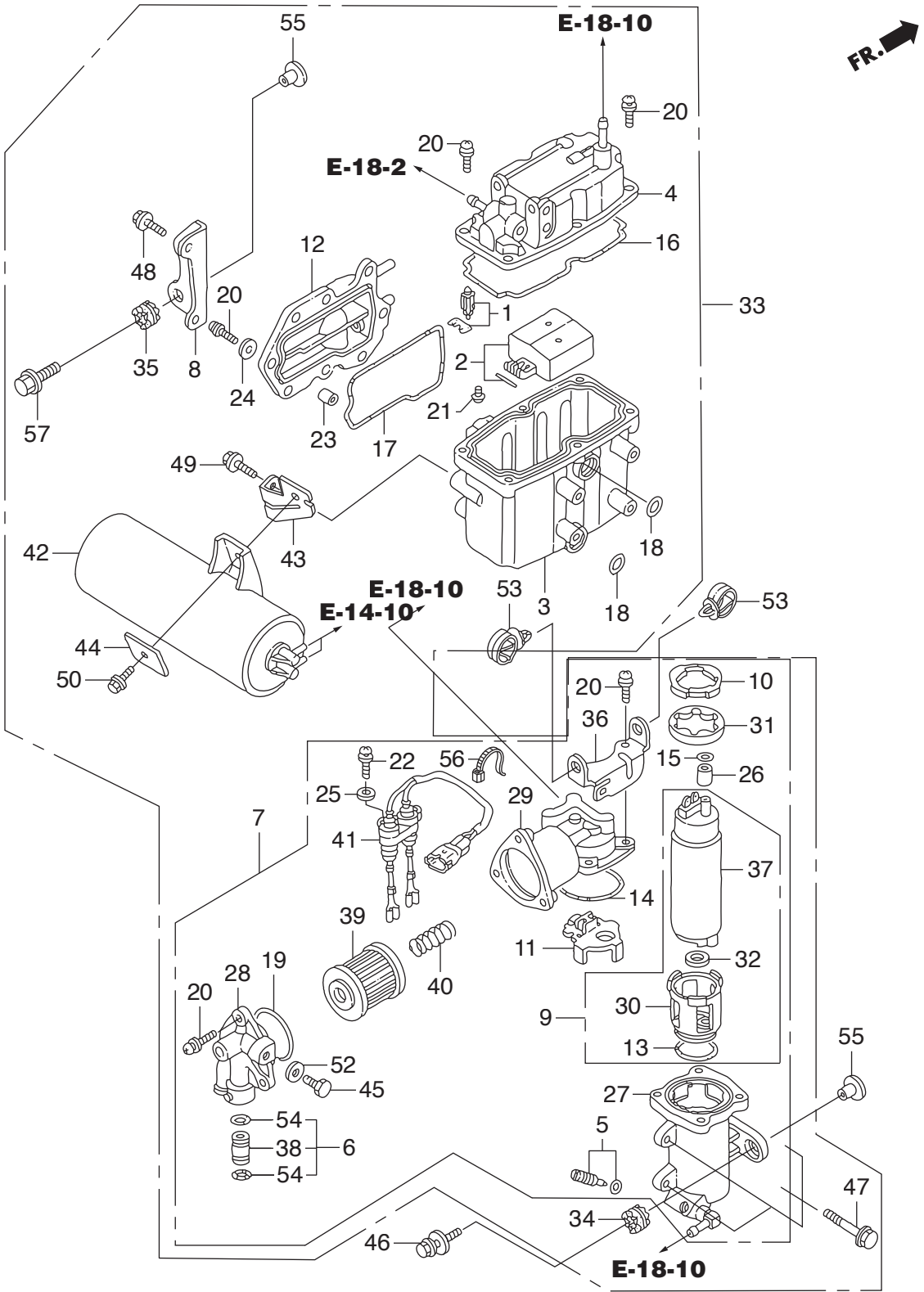


Ref.No.	Part No.	Description	Q' ty		Remarks	
			BFT200A	BFT225A		
E-14-10	1	HZY3-17105-004	GASKET, INTAKE MANIFOLD	1	1	
E-14-10	2	HZY3-17109-004	PACKING, THROTTLE BODY	1	1	
E-14-10	3	HZY3-17110-003	MANIFOLD COMP., INTAKE	1	1	
E-14-10	4	HZY3-17113-003	PLATE, INTAKE MANIFOLD CENTER	1	1	
E-14-10	5	HZY3-17130-003ZA	COVER COMP., INTAKE MANIFOLD	1	1	*NH8* DARK GRAY
E-14-10	6	HZY3-17138-004	PACKING, INTAKE MANIFOLD UP	1	1	COVER
E-14-10	7	HMG9-17201-000	JOINT A, VACUUM TUBE	1	1	
E-14-10	8	HZY3-32128-000	BRACKET, SENSOR CORD	1	1	
E-14-10	9	HPM4-36145-004	VALVE, CHECK	1	1	
E-14-10	10	HZY3-36163-003	VALVE ASSY., AIR BYPASS	1	1	
E-14-10	11	HP8D-36165-J00	WASHER, CONICAL SPRING(5)	1	1	
E-14-10	12	HRNA-37830-A01	SENSOR ASSY., MAP	1	1	
E-14-10	13	HPGK-37835-A01	O-RING	1	1	
E-14-10	14	HZY3-90023-000	BOLT, FLANGE, 6X22	10	10	
E-14-10	15	HZY3-90029-000	BOLT-WASHER, 5X18	1	1	
E-14-10	16	HZY3-90031-000	BOLT, FLANGE, 6X32	1	1	
E-14-10	17	HZY3-90058-000	BOLT, FLANGE, 5X10	1	1	
E-14-10	18	HZW4-90156-000	BOLT, FLANGE, 8X50	7	7	
E-14-10	19	HZY3-90205-000	NUT, FLANGE, 8MM	2	2	
E-14-10	20	HCO-95001-35040-40	TUBE, FUEL, 3.5X40	1	1	(HC-95001-35001-60M)
E-14-10	21	HCO-95001-35130-40	TUBE, FUEL, 3.5X130	1	1	(HC-95001-35001-60M)
E-14-10	22	HCO-95001-35540-40	TUBE, FUEL, 3.5X540	1	1	(HC-95001-35001-60M)
E-14-10	23	HCO-95001-35590-60	TUBE, FUEL, 3.5X590	1	1	(HC-95001-35001-60M)
E-14-10	24	HCO-95001-35600-40	TUBE, FUEL, 3.5X600	1	1	(HC-95001-35001-60M)



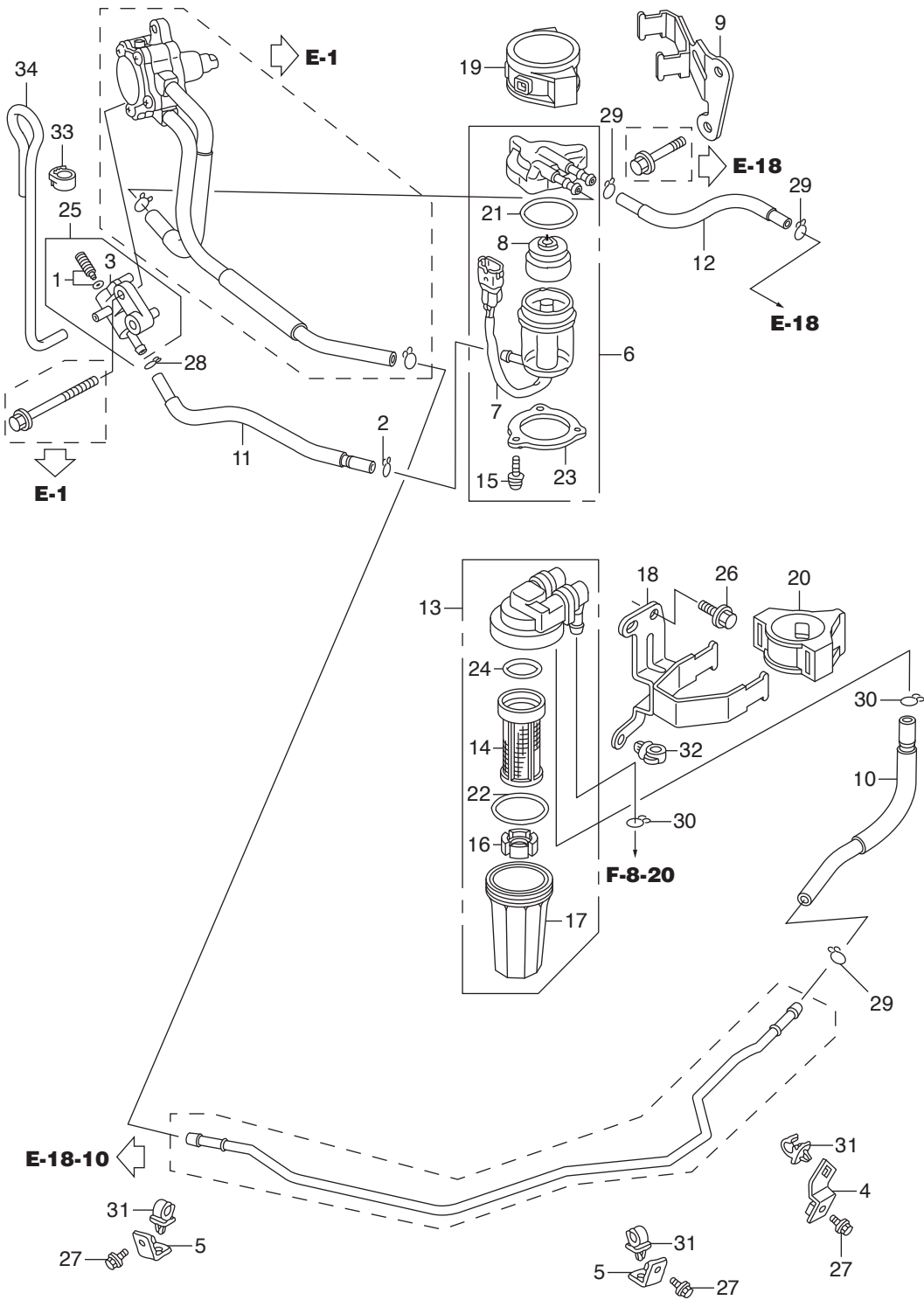
Ref.No.	Part No.	Description	Q' ty		Remarks	
			BFT200A	BFT225A		
E-15	1	HZY3-16016-003	SCREW SET	1	1	
E-15	2	HZY3-16176-000	GASKET, THROTTLE BODY	1	1	
E-15	3	HZY3-16400-A01	THROTTLE BODY ASSY.	1	1	
E-15	4	HZY3-16404-000	SPACER, THROTTLE BODY	1	1	
E-15	5	HZY3-16405-000	GASKET, EAC VALVE	1	1	
E-15	6	HZY3-17203-000	TRAP, FLAME	1	1	
E-15	7	HZY3-17207-300	RUBBER, SEAL SILENCER	1	1	
E-15	8	HPY3-17249-000	SPRING, AIR FLOW TUBE	1	1	
E-15	9	HZY9-17315-000	BAND, AIR FLOW	1	1	
E-15	10	HZY3-17372-000	CASE A, SILENCER	1	1	
E-15	11	HZY3-17373-010	CASE B, SILENCER	1	1	
E-15	12	HZY3-17374-010	GROMMET, SILENCER	1	1	
E-15	13	HZY3-17910-013	CABLE COMP., THROTTLE	2	2	
E-15	14	HZW5-35665-003	SENSOR ASSY., AIR TEMP	1	1	
E-15	15	HZY3-36550-003	VALVE ASSY., EAC	1	1	
E-15	16	HZV5-40102-000	GROMMET, UNDER CASE	4	4	
E-15	17	HZW1-90013-000	BOLT-WASHER, 6X25	2	2	
E-15	18	HZY9-90017-000	BOLT-WASHER, 5X30	1	1	
E-15	19	HZY3-90030-000	BOLT, FLANGE, 6X22	2	2	
E-15	20	HZY3-90034-000	BOLT, FLANGE, 6X60	2	2	
E-15	21	HZY3-90037-000	BOLT, FLANGE, 8X65	4	4	
E-15	22	HZY3-90508-000	WASHER, PLAIN, 6MM	2	2	
E-15	23	HP0A-91303-A02	O-RING	1	1	
E-15	24	HZV5-91553-010	COLLAR, C.D.I. UNIT CASE	4	4	
E-15	25	HCO-93903-254G0	SCREW, TAPPING, 5X20	15	15	
E-15	26	HCO-94301-06100	DOWEL PIN, 6X10	2	2	

Ref.No.	Part No.	Description	Q' ty		Remarks	
			BFT200A	BFT225A		
E-18	1	HZY3-16011-A01	VALVE SET, FLOAT	1	1	
E-18	2	HZY3-16013-000	FLOAT SET	1	1	
E-18	3	HZY3-16015-000	BODY	1	1	
E-18	4	HZX2-16020-003	COVER COMP.	1	1	
E-18	5	HZY3-16024-000	SCREW SET, DRAIN	1	1	
E-18	6	HZY3-16026-000	JOINT SET	1	1	
E-18	7	HZX2-16030-003	PUMP UNIT SET A, FUEL	1	1	
E-18	8	HZY3-16031-010	STAY, PLATE	1	1	
E-18	9	HZY3-16036-003	PUMP UNIT SET B, FUEL	1	1	
E-18	10	HZY3-16041-000	PLATE	1	1	
E-18	11	HZY3-16042-000	HOLDER	1	1	
E-18	12	HZY3-16061-000	COVER, WATER JACKET	1	1	
E-18	13	HZY3-16072-000	O-RING	1	1	
E-18	14	HZY3-16073-000	O-RING	1	1	
E-18	15	HZY3-16074-000	O-RING	1	1	
E-18	16	HZY3-16075-000	O-RING	1	1	
E-18	17	HZY3-16076-000	O-RING	1	1	
E-18	18	HZY3-16077-000	O-RING	2	2	
E-18	19	HZY3-16078-000	O-RING	1	1	
E-18	20	HZW5-16081-010	SCREW-WASHER	21	21	
E-18	21	HZY3-16082-000	SCREW, PAN	2	2	
E-18	22	HZY3-16083-000	SCREW, WASHER	1	1	
E-18	23	HZW5-16086-000	COLLAR	8	8	
E-18	24	HZW5-16087-000	WASHER, PLAIN	8	8	
E-18	25	HZY3-16087-000	WASHER, PLAIN	1	1	
E-18	26	HZY3-16088-000	COLLAR	1	1	
E-18	27	HZX2-16701-003	CASE COMP., PUMP	1	1	
E-18	28	HZY3-16708-000	COVER, PUMP	1	1	
E-18	29	HZW5-16715-023	COVER, PUMP(A)	1	1	



Ref.No.	Part No.	Description	Q' ty		Remarks	
			BFT200A	BFT225A		
E-18	30	HZY6-16718-013	INSULATOR COMP.	1	1	
E-18	31	HZY3-16721-000	INSULATOR	1	1	
E-18	32	HZY6-16723-003	RING	1	1	
E-18	33	HZX2-16730-003	SEPARATOR ASSY., VAPOR	1	1	
E-18	34	HZW5-16733-000	GROMMET, VAPOR SEPARATOR	1	1	
E-18	35	HZY3-16733-000	GROMMET, VAPOR SEPARATOR	2	2	
E-18	36	HZY3-16734-000	STAY, PLATE	1	1	
E-18	37	HZY3-16735-004	PUMP UNIT, FUEL	1	1	
E-18	38	HZY3-16752-000	JOINT, FUEL PIPE	1	1	
E-18	39	HZY3-16911-010	SCREEN COMP., FUEL STRAINER	1	1	
E-18	40	HZY3-16913-000	SPRING, SET	1	1	
E-18	41	HZX2-32166-003	HARNESS COMP.	1	1	
E-18	42	HPR7-36361-A01	TANK COMP., VACUUM	1	1	
E-18	43	HZY3-36362-000	STAY, VACUUM TANK	1	1	
E-18	44	HZY3-36620-000	PLATE	1	1	
E-18	45	HPP4-90009-E01	BOLT, SEALING, 6MM	1	1	
E-18	46	HZW1-90014-000	BOLT-WASHER, 8X35	1	1	
E-18	47	HZW9-90016-000	BOLT, FLANGE, 6X25	4	4	
E-18	48	HZY3-90017-000	BOLT, FLANGE, 6X16	2	2	
E-18	49	HZY3-90021-000	BOLT, FLANGE, 6X14	2	2	
E-18	50	HZY3-90050-000	BOLT, FLANGE, 6X12	1	1	
E-18	52	HPD6-90430-003	WASHER, SEALING, 6MM	1	1	
E-18	53	HZB7-90691-003	CLIP, HARNESS	2	2	
E-18	54	HMJ0-91301-003	O-RING, 7.8X1.9(ARAI)	2	2	
E-18	55	HZW1-91554-000	COLLAR, 8.5X14.5	3	3	
E-18	56	HZW5-32168-003	BAND	1	1	
E-18	57	HZY3-90054-000	BOLT, FLANGE, 8X35	2	2	

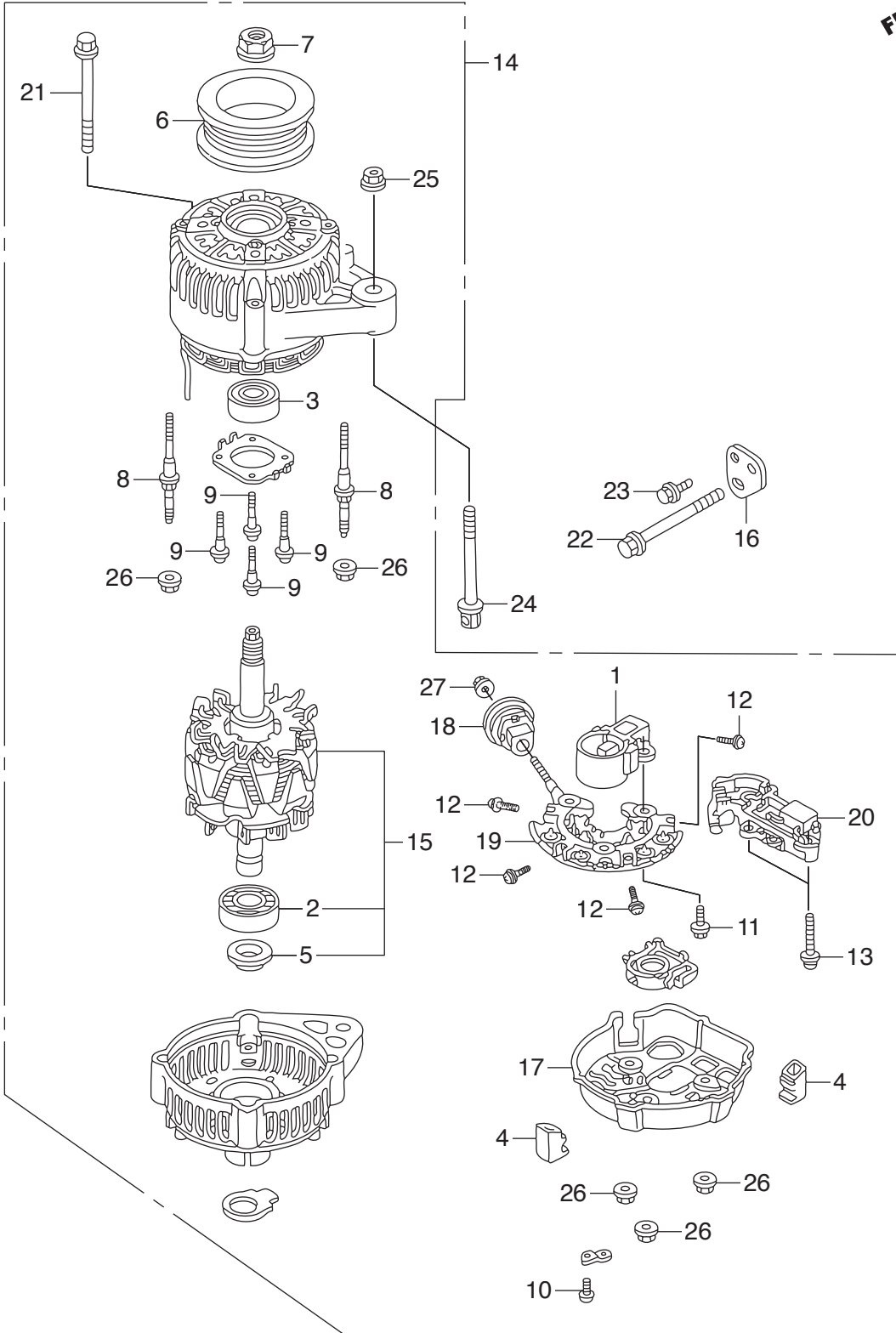
FR. 



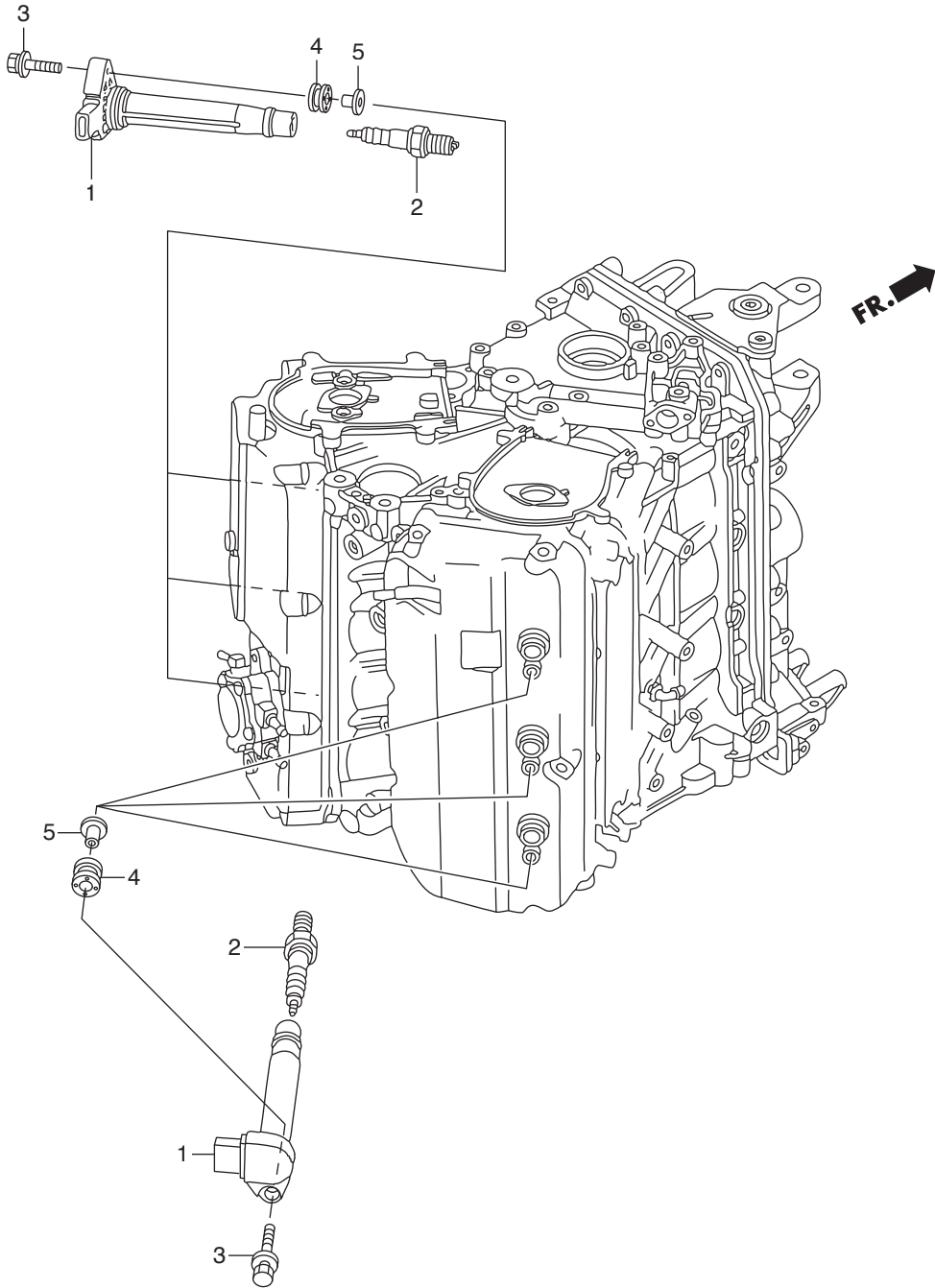
Ref.No.	Part No.	Description	Q' ty		Remarks	
			BFT200A	BFT225A		
E-18-2	1	HZX2-16024-003	SCREW SET, DRAIN	1	1	
E-18-2	2	HGHB-16163-600	CLIP, TUBE	1	1	
E-18-2	3	HZX2-16736-003	STAY COMP.	1	1	
E-18-2	4	HZY3-16753-000	STAY, FUEL PIPE A	1	1	
E-18-2	5	HZY3-16754-000	STAY, FUEL PIPE B	2	2	
E-18-2	6	HZX2-16800-003	SEPARATOR ASSY., WATER	1	1	
E-18-2	7	HZX2-16805-003	CUP SET, WATER SEPARATOR	1	1	
E-18-2	8	HZY3-16807-003	BUFFER, PLATE	1	1	
E-18-2	9	HZX2-16814-000	STAY, WATER SEPARATOR	1	1	
E-18-2	10	HZX2-16860-C00	TUBE COMP. B, FUEL	1	1	
E-18-2	11	HZX2-16880-C00	TUBE COMP. D, FUEL	1	1	
E-18-2	12	HZX2-16890-C00	TUBE COMP. E, FUEL	1	1	
E-18-2	13	HZX2-16900-003	STRAINER ASSY., FUEL	1	1	
E-18-2	14	HZZ5-16901-003	FILTER	1	1	
E-18-2	15	HZY3-16904-003	SCREW, PAN, 5X12	3	3	
E-18-2	16	HZZ5-16906-003	FLOAT	1	1	
E-18-2	17	HZX2-16912-003	CUP	1	1	
E-18-2	18	HZX2-16914-000	STAY, FUEL STRAINER	1	1	
E-18-2	19	HZY3-16915-010	SUSPENSION, STRAINER	1	1	
E-18-2	20	HZZ5-16915-000	SUSPENSION, STRAINER	1	1	
E-18-2	21	HZY3-16918-003	O-RING	1	1	
E-18-2	22	HZZ5-16918-003	O-RING	1	1	
E-18-2	23	HZY3-16919-003	PLATE	1	1	
E-18-2	24	HZZ5-16919-003	O-RING	1	1	
E-18-2	25	HZX2-16940-003	COCK ASSY., FUEL DRAIN	1	1	
E-18-2	26	HZW9-90014-000	BOLT, FLANGE, 6X10	2	2	
E-18-2	27	HZY3-90056-000	BOLT, FLANGE, 6X12	3	3	
E-18-2	28	H921-90602-000	CLIP, TUBE(B8)	1	1	
E-18-2	29	HZV0-90604-000	CLIP, TUBE(B12)	3	3	

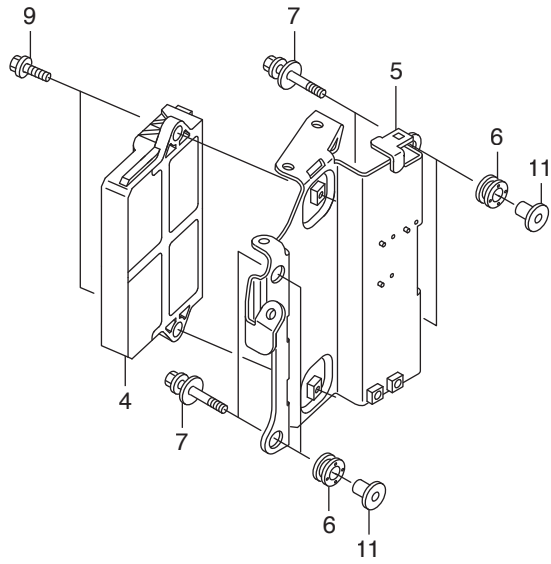
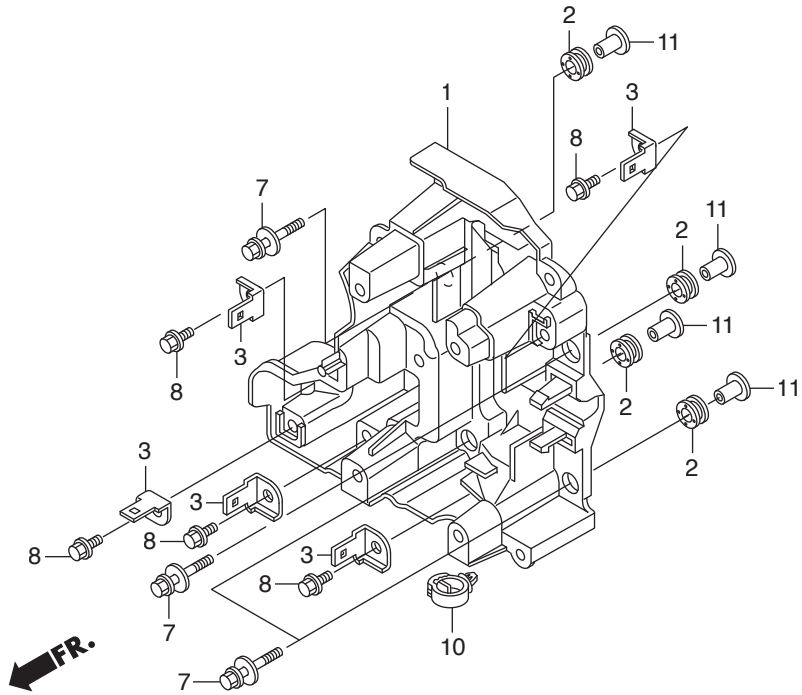
Ref.No.	Part No.	Description	Q' ty		Remarks	
			BFT200A	BFT225A		
E-18-10	1	HZY3-16193-A00	CLAMP, CHECK VALVE	1	1	
E-18-10	2	HZY3-16196-A00	TUBE, CHECK VALVE	1	1	
E-18-10	3	HZY3-16197-000	TUBE A, AIR VENT	1	1	
E-18-10	4	HZY3-16198-A00	TUBE B, AIR VENT	1	1	
E-18-10	5	HZY3-16199-A00	TUBE COMP., AIR VENT	1	1	
E-18-10	6	HZY3-16751-000	PIPE, FUEL	1	1	
E-18-10	7	H759-16911-003	STRAINER, FUEL PUMP	1	1	
E-18-10	8	HZW5-16915-000	SUSPENSION, STRAINER	1	1	
E-18-10	9	HVM0-16965-771	CLAMP, HOSE	2	2	
E-18-10	10	HKY7-17450-740	CLIP, TUBE	2	2	
E-18-10	11	HZY3-17721-000	JOINT, FUEL RETURN	1	1	
E-18-10	12	HZY3-17723-A01	HOSE A, PRESSURE REGULATOR	1	1	RETURN
E-18-10	13	HZY3-17724-010	HOSE B, PRESSURE REGULATOR	1	1	RETURN
E-18-10	14	HZY3-19258-010	TUBE, WATER IN.	1	1	
E-18-10	15	HZY3-19259-000	TUBE, WATER OUTLET	1	1	
E-18-10	16	HZY6-19269-000	T-JOINT	1	1	
E-18-10	17	HZY6-36135-003	VALVE, CHECK	1	1	
E-18-10	18	HZW5-90601-030	CLAMP, TUBE(D10.7)	4	4	
E-18-10	19	HZY3-90601-030	CLAMP, TUBE(D10.5)	4	4	
E-18-10	20	HMB1-90655-921	CLIP, WIRE	1	1	
E-18-10	21	HSL0-91592-A51	CLAMP, FUEL TUBE	1	1	
E-18-10	22	HCO-95001-35055-40	TUBE, FUEL, 3.5X55	1	1	(HC-95001-35001-60M)
E-18-10	23	HCO-95003-05060-31	TUBE, VINYL, 3.5X6.5X600	1	1	(HC-95003-05001-60M)

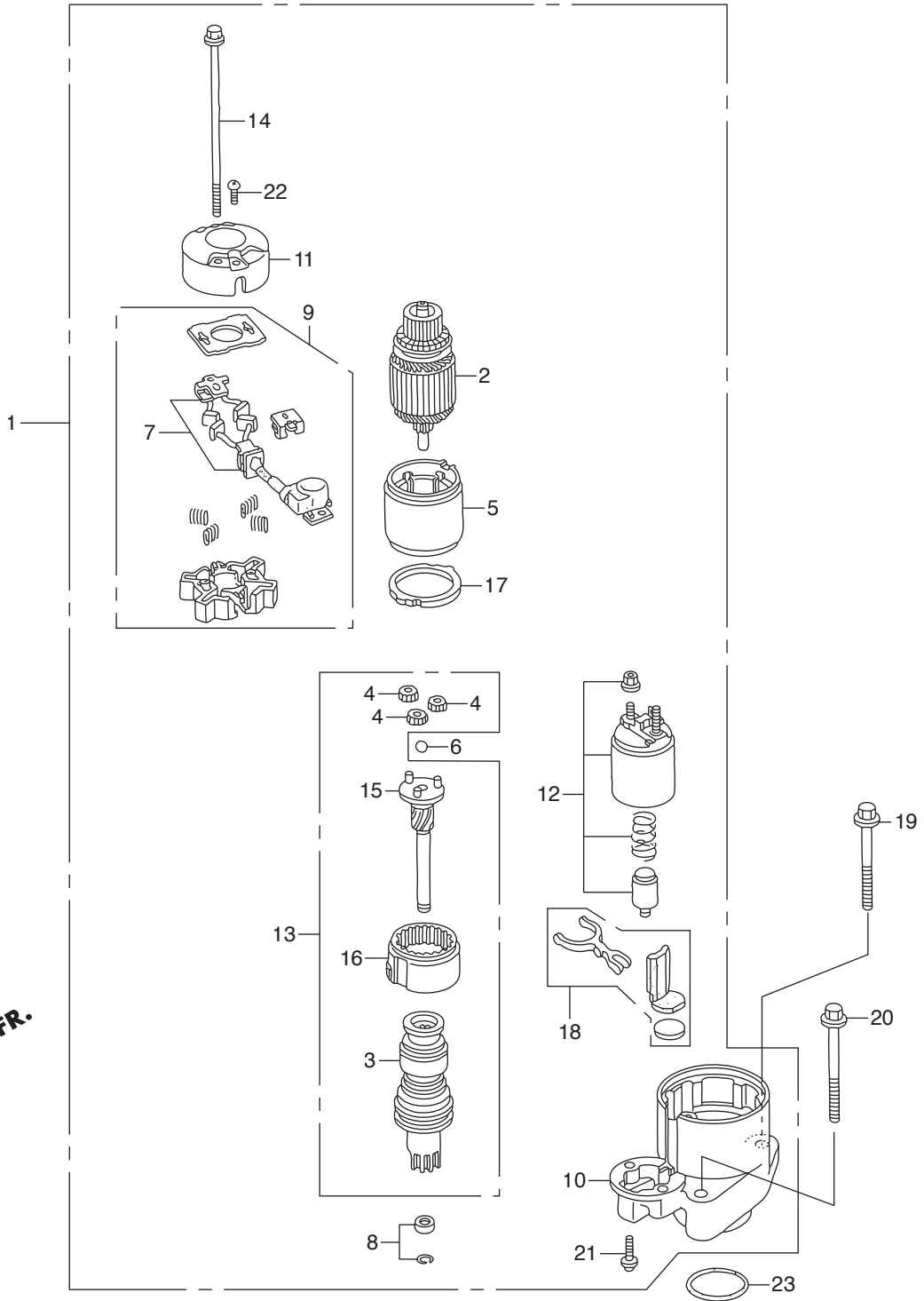
FR. 



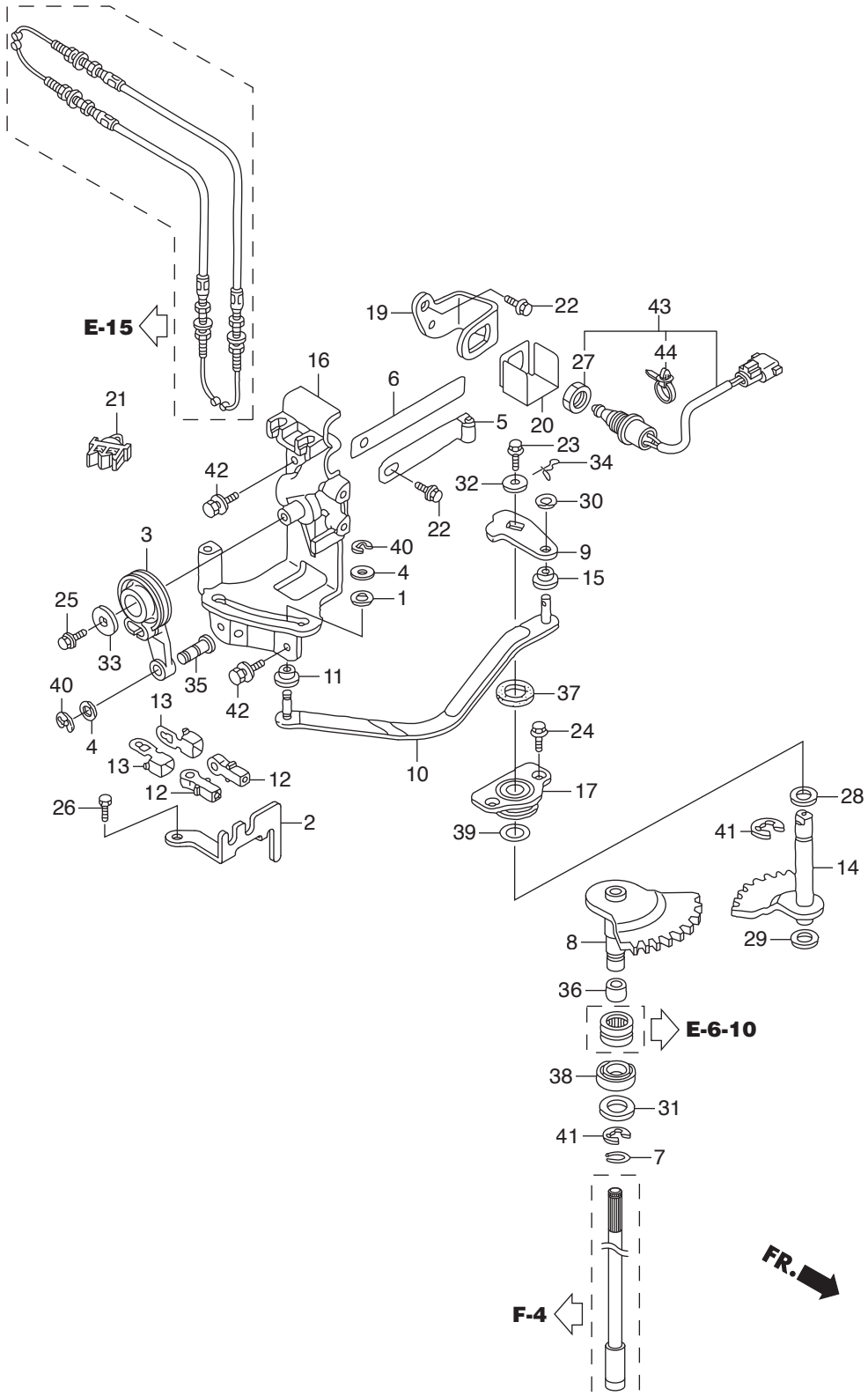
Ref.No.	Part No.	Description	Q' ty		Remarks	
			BFT200A	BFT225A		
E-19	1	HPR7-31105-A01	HOLDER ASSY., BRUSH	1	1	
E-19	2	HPT0-31111-003	BEARING, RR. GENERATOR	1	1	
E-19	3	HPT0-31114-013	BEARING, FR. GENERATOR	1	1	
E-19	4	HPT0-31118-003	BUSH, INSULATION	4	4	
E-19	5	HPD1-31138-004	COVER, BEARING	1	1	
E-19	6	HP13-31141-003	PULLEY	1	1	
E-19	7	HPD1-31142-004	NUT, PULLEY LOCK	1	1	
E-19	8	HPD1-31145-004	BOLT, STUD, 6X68	4	4	
E-19	9	HPT0-31146-003	SCREW	4	4	
E-19	10	HP13-31147-003	SCREW	1	1	
E-19	11	HPT0-31147-003	SCREW-WASHER	3	3	
E-19	12	HP13-31148-003	SCREW, WAVE WASHER	4	4	
E-19	13	HPT0-31148-003	SCREW, WAVE WASHER	2	2	
E-19	14	HZY3-31630-003	GENERATOR ASSY., A.C.	1	1	
E-19	15	HZY3-31631-003	ROTOR ASSY.	1	1	
E-19	16	HZY3-31637-000	STAY, A.C. GENERATOR	1	1	
E-19	17	HZY3-31639-003	END COVER, RR.	1	1	
E-19	18	HZY3-31694-003	BUSH, INSULATION	1	1	
E-19	19	HZY3-31710-003	RECTIFIER ASSY.	1	1	
E-19	20	HZY3-31750-003	REGULATOR ASSY.	1	1	
E-19	21	HZX2-90002-000	BOLT, FLANGE, 10X90	1	1	
E-19	22	HZW5-90011-010	BOLT, SPECIAL ADJUSTER	1	1	
E-19	23	HZY3-90017-000	BOLT, FLANGE, 6X16	1	1	
E-19	24	HZY3-90055-000	BOLT, TENSIONER	1	1	
E-19	25	HZW5-90203-010	NUT, FLANGE, 8MM	1	1	
E-19	26	HPD1-90231-014	NUT-WASHER, 5MM	7	7	
E-19	27	HCO-94001-06080-0S	NUT, HEX., 6MM	1	1	



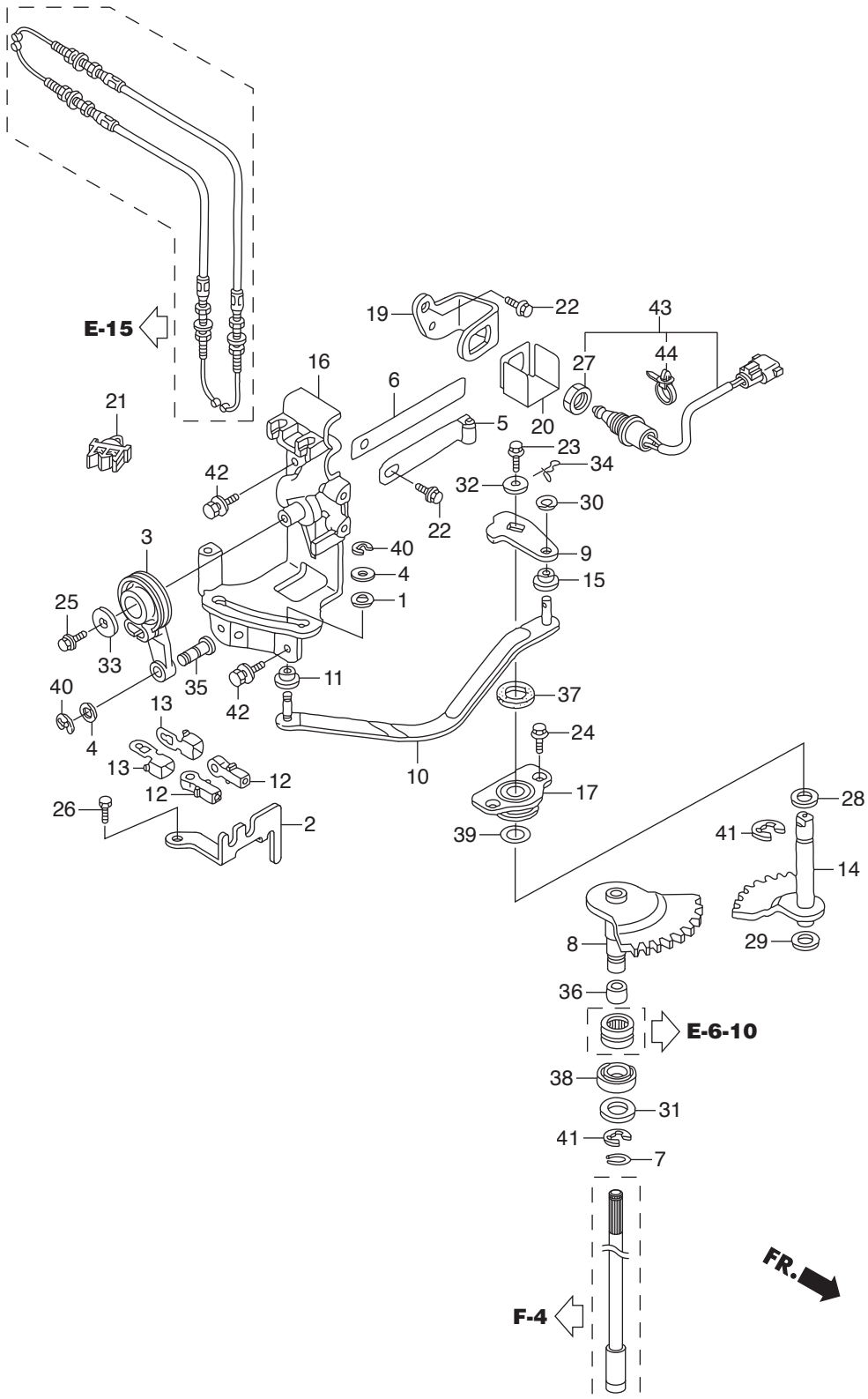


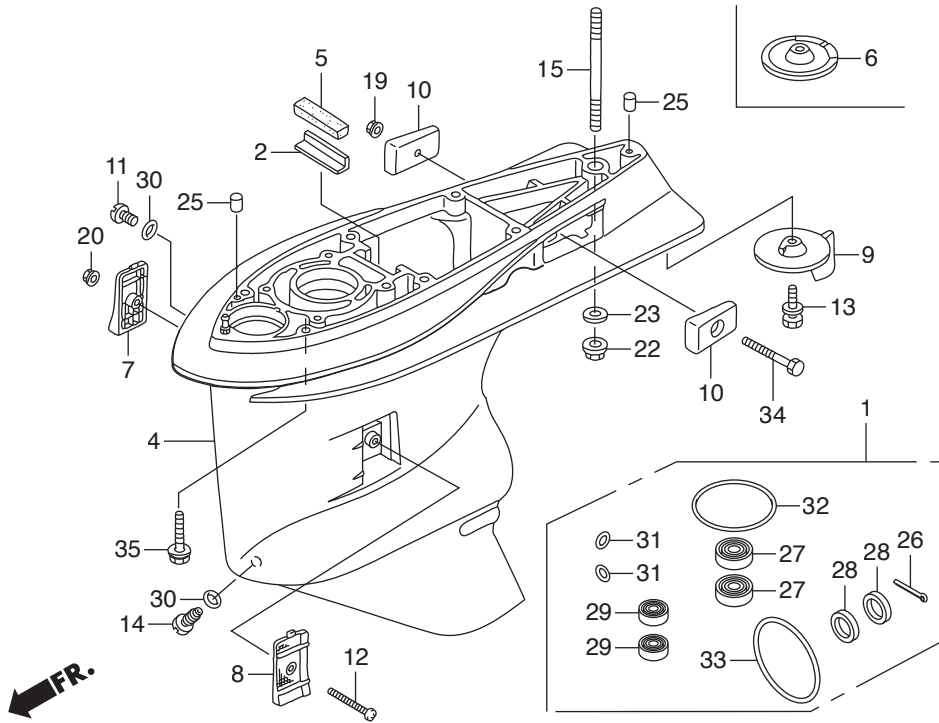


Ref.No.	Part No.	Description	Q' ty		Remarks	
			BFT200A	BFT225A		
E-21	1	HZY3-31200-003	MOTOR ASSY., STARTER	1	1	
E-21	2	HP5A-31201-005	ROTOR COMP.	1	1	
E-21	3	HZY3-31207-003	CLUTCH COMP., OVERRUNNING	1	1	
E-21	4	HPY3-31215-004	GEAR ASSY., PLANETARY	3	3	
E-21	5	HZY3-31216-003	YOKE COMP.	1	1	
E-21	6	HPY3-31218-004	BALL, STEEL	1	1	
E-21	7	HZW1-31226-004	BRUSH SET	1	1	
E-21	8	HZW1-31229-004	STOPPER SET, SLEEVE	1	1	
E-21	9	HZW1-31231-004	HOLDER COMP., BRUSH	1	1	
E-21	10	HZY3-31235-003	BRACKET, FR.	1	1	
E-21	11	HZY3-31236-003	BRACKET, RR.	1	1	
E-21	12	HZY3-31240-003	SWITCH ASSY., MAGNET	1	1	
E-21	13	HZY3-31242-003	SHAFT ASSY., CLUTCH	1	1	
E-21	14	HP5A-31243-005	BOLT A, THROUGH	2	2	
E-21	15	HZY3-31246-003	SHAFT ASSY., GEAR	1	1	
E-21	16	HZY3-31247-003	GEAR ASSY., INTERNAL	1	1	
E-21	17	HZY3-31249-003	PACKING	1	1	
E-21	18	HZY3-31250-003	LEVER SET	1	1	
E-21	19	HZY3-90002-000	BOLT, FLANGE, 10X90	1	1	
E-21	20	HZY3-90003-000	BOLT, FLANGE, 10X110	1	1	
E-21	21	HZW1-90106-004	SCREW, PAN, 6X22(SPECIAL)	2	2	
E-21	22	HZW1-90107-004	SCREW, PAN, 5X8	2	2	
E-21	23	HZY3-91303-000	O-RING, 59.4X3.1	1	1	

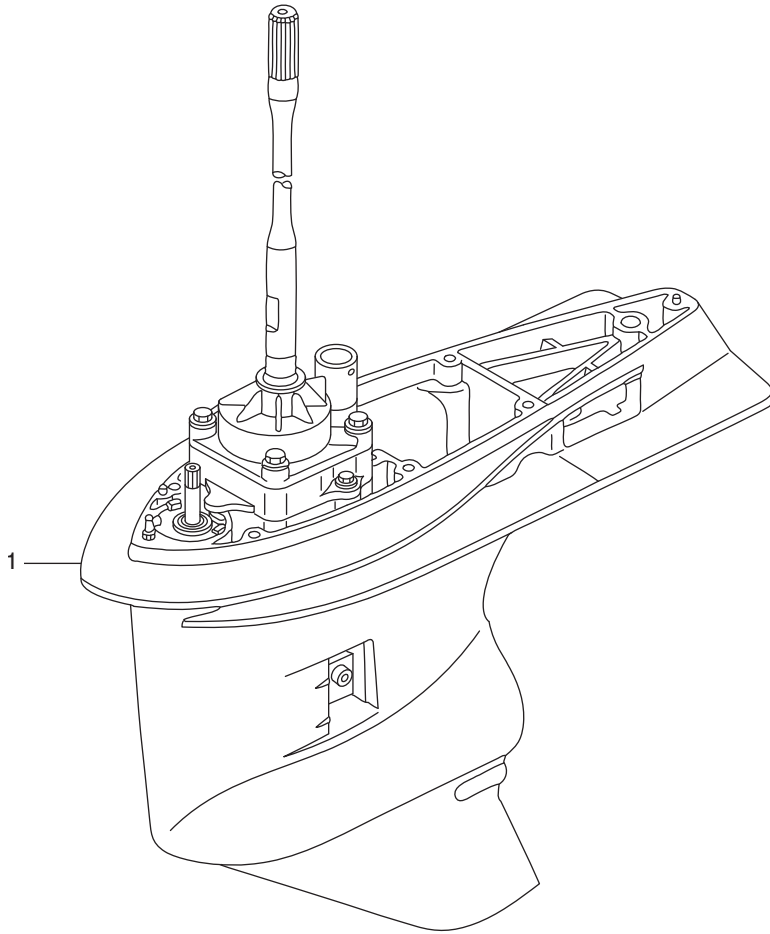


Ref.No.	Part No.	Description	Q' ty		Remarks	
			BFT200A	BFT225A		
F-2	1	HKN5-17224-670	WASHER, AIR CLEANER COVER	1	1	SETTING
F-2	2	HZY3-17877-000	PLATE, REMOTE CONTROL CABLE	1	1	
F-2	3	HZY3-17931-000	ARM, THROTTLE	1	1	
F-2	4	H921-17936-000	WASHER, PIVOT	2	2	
F-2	5	HZW1-24210-010	SPRING COMP., CLICK	1	1	
F-2	6	HZY3-24221-000	SPRING, CLICK ASSIST	1	1	
F-2	7	HZW1-24327-000	RING, STOPPER	1	1	
F-2	8	HZY3-24610-A00	SHAFT COMP., SHIFT(A)	1	1	
F-2	9	HZY3-24612-010	ARM, SHIFT	1	1	
F-2	10	HZY3-24613-000	ROD, LINK	1	1	
F-2	11	HZY3-24617-000	COLLAR, SHIFT SLIDER	1	1	
F-2	12	HZY3-24618-000	PIVOT, SHIFT	2	2	
F-2	13	HZY3-24619-000	PLATE, LOCK	2	2	
F-2	14	HZY3-24620-000	SHAFT COMP., SHIFT(B)	1	1	
F-2	15	HZY3-24623-000	BUSH, SHIFT ARM	1	1	
F-2	16	HZY3-24628-000	BRACKET, SHIFT LINK	1	1	
F-2	17	HZW1-24629-000	HOLDER, SEAL	1	1	
F-2	19	HZY3-35476-010	BRACKET, NEUTRAL SWITCH	1	1	
F-2	20	HZY3-35477-000	COVER, NEUTRAL SWITCH	1	1	
F-2	21	HS0X-46392-A01	CLIP, BRAKE PIPE	1	1	
F-2	22	HZW9-90011-000	BOLT, FLANGE, 6X14(CT200)	2	2	
F-2	23	HZY3-90017-000	BOLT, FLANGE, 6X16	1	1	
F-2	24	HZW5-90023-000	BOLT, FLANGE, 6X11	2	2	
F-2	25	HZW9-90102-000	BOLT, FLANGE, 6X12	1	1	
F-2	26	HZV4-90127-000	BOLT, HEX., 6X16	1	1	
F-2	27	HZV5-90302-003	NUT, HEX., 20MM	1	1	
F-2	28	HHA0-90402-000	WASHER, THRUST, 14MM	1	1	
F-2	29	H958-90428-000	WASHER B, THRUST, 14MM	1	1	
F-2	30	HZV4-90506-000	WASHER, PLAIN, 6MM	1	1	

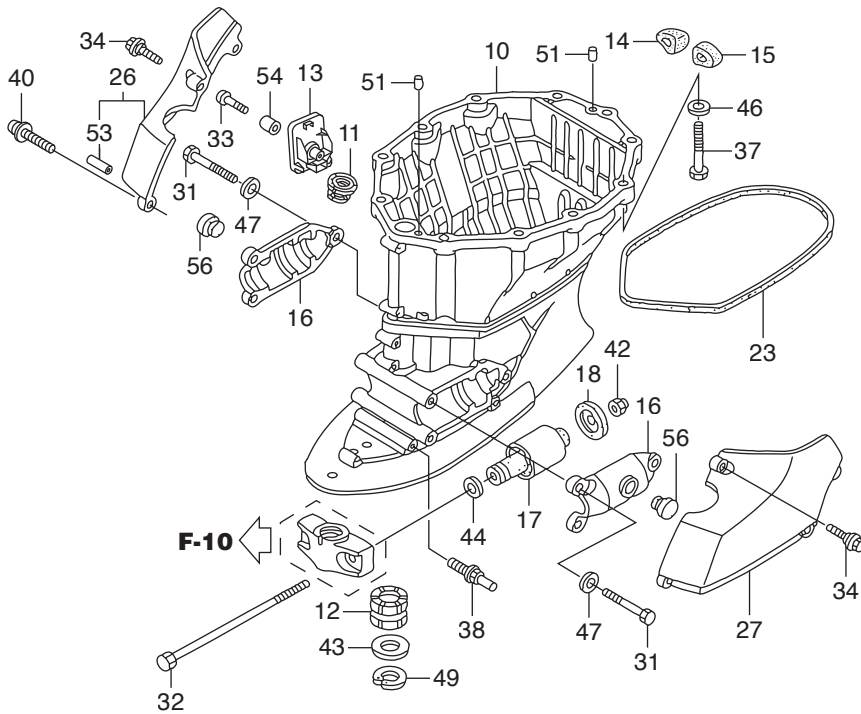
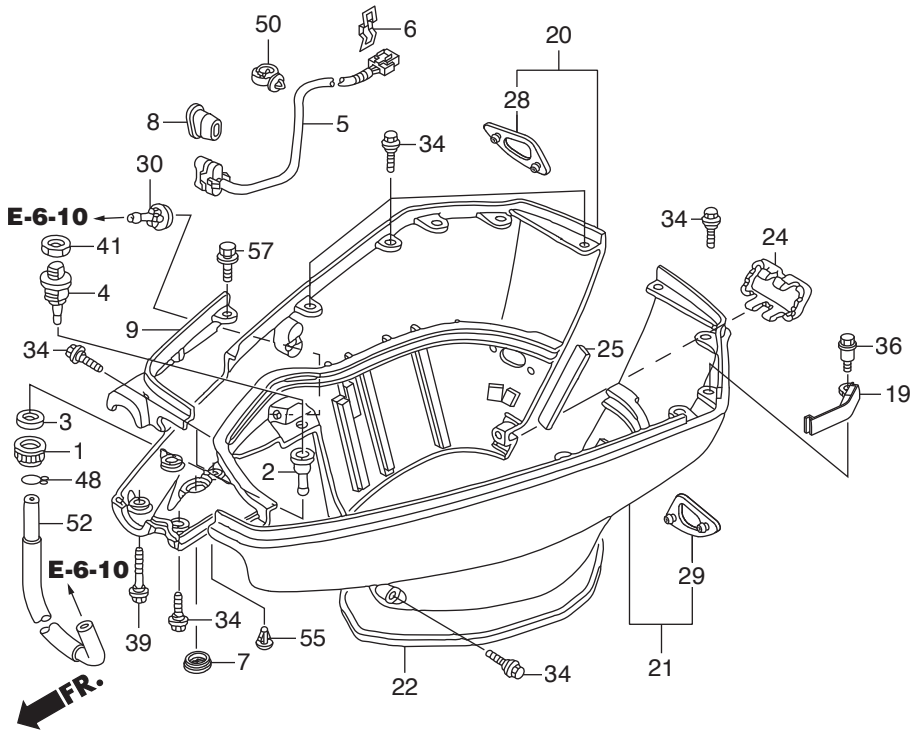




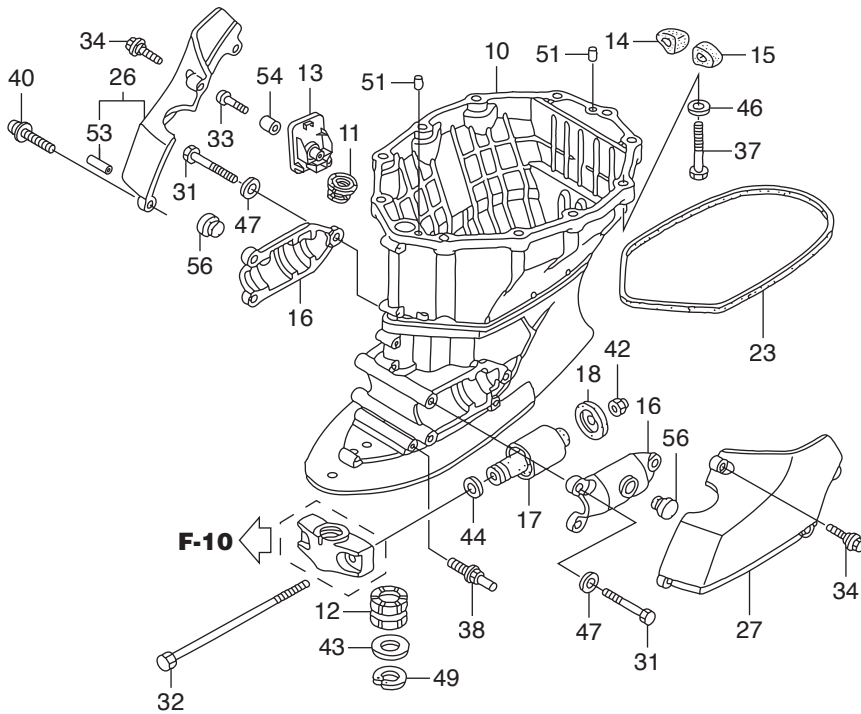
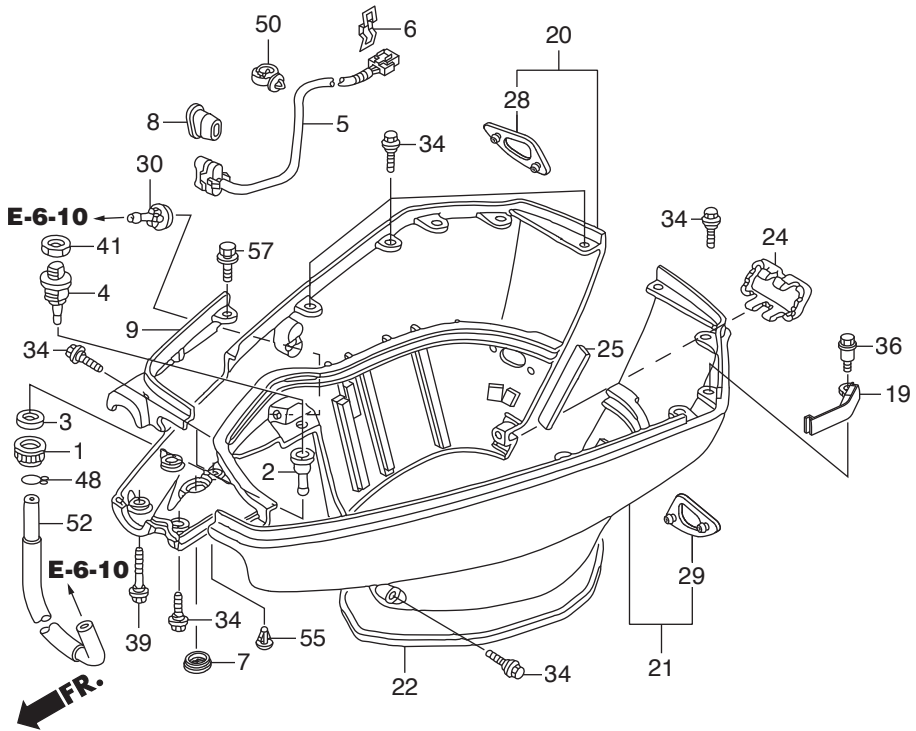
Ref.No.	Part No.	Description	Q' ty		Remarks
			BFT200A	BFT225A	
F-3	1	HZY3-06125-C00		1	
F-3	2	HZW1-19286-B00	1	1	
F-3	4	HZY3-41101-C00ZC	1	1	*T107* BAY BLUE
F-3	5	HZW1-41102-B00	1	1	
F-3	6	HZX2-41102-E00ZC	1	1	*T107* BAY BLUE XCA
F-3	7	HZY3-41104-C01	1	1	
F-3	8	HZY3-41105-C01	1	1	
F-3	9	HZX2-41107-C00ZC	1	1	*T107* BAY BLUE LA,XA
F-3	10	HZW1-41109-B00	2	2	
F-3	11	HZW9-90101-003	1	1	
F-3	12	HZZ0-90101-000	1	1	
F-3	13	HZY6-90103-000	1	1	
F-3	14	HZY3-90120-000	1	1	
F-3	15	HZY3-90124-000	1	1	
F-3	19	HZY1-90205-000	1	1	
F-3	20	HZV4-90302-000	1	1	
F-3	22	HZW1-90308-003	1	1	
F-3	23	HZV5-90559-000	1	1	
F-3	25	HZV5-90756-000	2	2	
F-3	26	HZW1-90758-B00		1	
F-3	27	HZY3-91251-C01		2	
F-3	28	HZZ3-91252-003		2	
F-3	29	HZY3-91254-003		2	
F-3	30	HZW4-91301-003	2	2	
F-3	31	HZW4-91301-003		2	
F-3	32	HMJ0-91308-003		1	
F-3	33	HZY3-91351-C00		1	
F-3	34	HCO-92101-06055-4J	1	1	
F-3	35	HZX2-90107-C00	6	6	



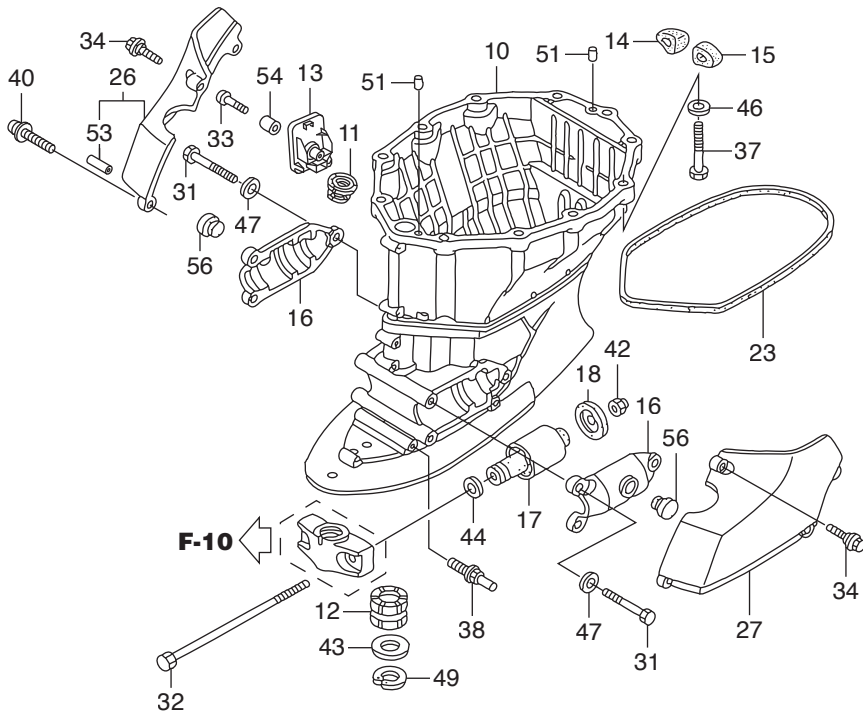
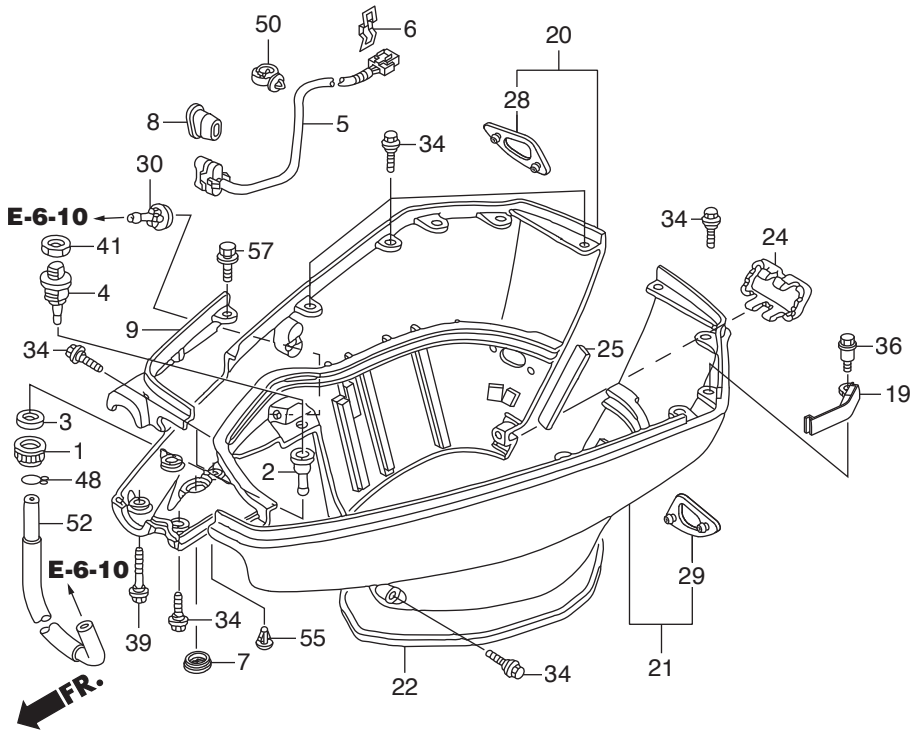
←FR.

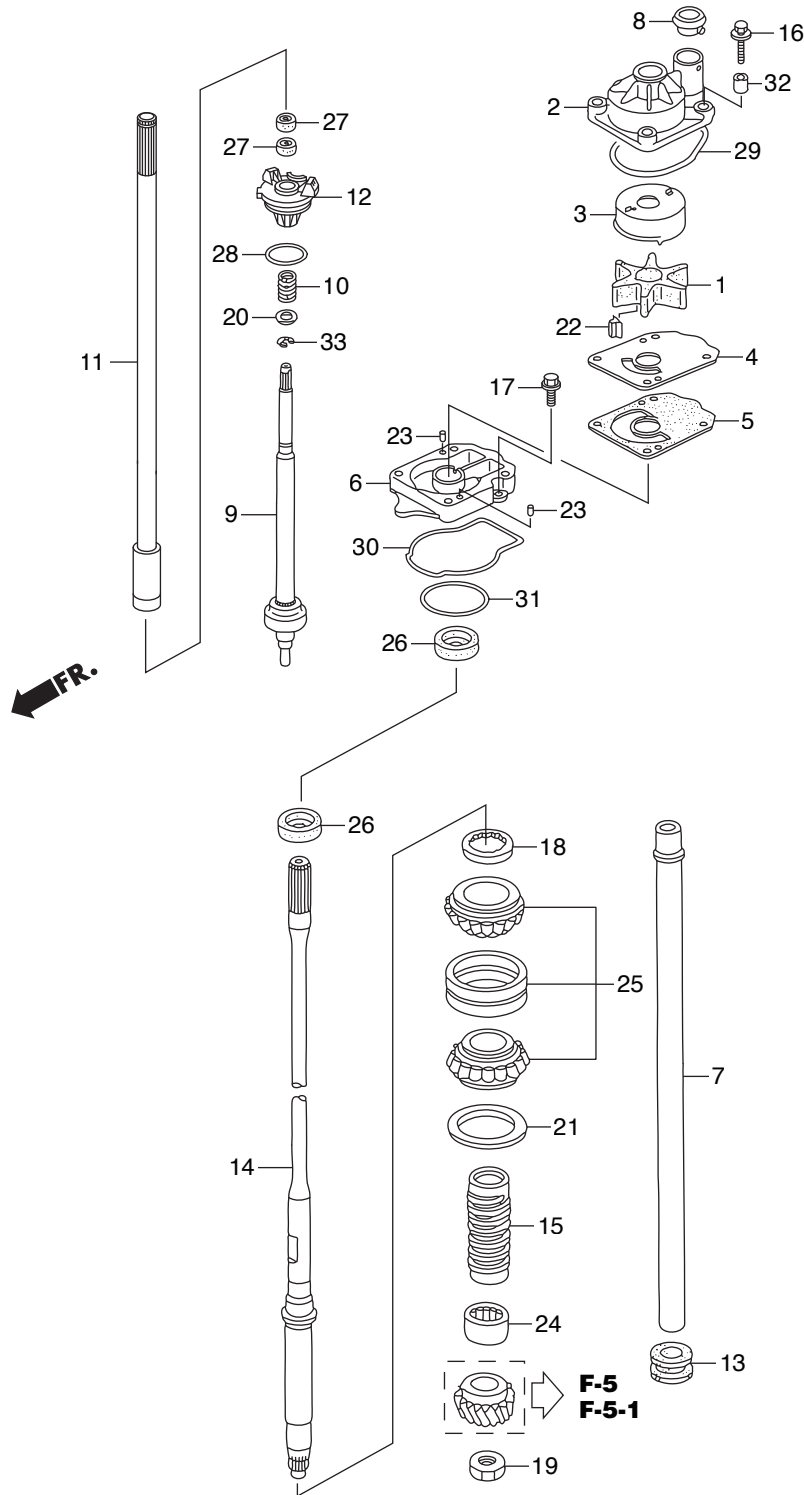


Ref.No.	Part No.	Description	Q' ty		Remarks	
			BFT200A	BFT225A		
F-3-20	1	HZY3-19270-000	NUT, WATER MOUTH	1	1	
F-3-20	2	HZY3-19271-000	JOINT, WATER HOSE	1	1	
F-3-20	3	HZY3-19272-000	SEAT, WATER MOUTH	1	1	
F-3-20	4	HZY3-19289-000	CAP, WATER JOINT	1	1	
F-3-20	5	HZY3-35640-013	SWITCH ASSY., POWER TILT	1	1	
F-3-20	6	HZY3-35645-000	STAY, POWER TILT SWITCH	1	1	
F-3-20	7	HZV5-40107-000	GROMMET, UNDER CASE(C)	1	1	
F-3-20	8	HZY3-40114-010	GROMMET, POWER TILT SWITCH	1	1	
F-3-20	9	HZY3-40151-000ZC	COVER, FR. SEPARATE	1	1	*T107* BAY BLUE
F-3-20	10	HZY3-40201-020ZC	CASE, EXTENSION	1	1	*T107* BAY BLUE LA
F-3-20		HZY3-40201-612ZC	CASE, EXTENSION	1	1	*T107* BAY BLUE XA,XCA
F-3-20	11	HZW1-40209-000	RUBBER, DRAIN PLUG	1	1	
F-3-20	12	HZY3-40210-610	BUSH COMP., VERTICAL SHAFT	1	1	XA,XCA
F-3-20	13	HZY3-40212-010ZC	COVER, DRAIN PLUG(L)	1	1	*T107* BAY BLUE LA
F-3-20		HZY3-40212-611ZC	COVER, DRAIN PLUG(XL)	1	1	*T107* BAY BLUE XA,XCA
F-3-20	14	HZY3-40225-010	SEAL, R. IDOL PORT	1	1	
F-3-20	15	HZY3-40226-010	SEAL, L. IDOL PORT	1	1	
F-3-20	16	HZY3-50111-020	HOUSING, LOWER MOUNTING	2	2	
F-3-20	17	HZY3-50155-000	MOUNT COMP., LOWER RUBBER	2	2	
F-3-20	18	HZY3-50157-010	STOPPER, LOWER MOUNT	2	2	
F-3-20	19	HZY3-63347-C00	COVER, PLUG MAINTENANCE	1	1	
F-3-20	20	HZY3-63710-C00ZC	COVER COMP., R. UNDER ENGINE	1	1	*T107* BAY BLUE
F-3-20	21	HZY3-63715-C01ZC	COVER COMP., L. UNDER ENGINE	1	1	*T107* BAY BLUE
F-3-20	22	HZY3-63718-000	SEAL A, COVER UNDER	1	1	
F-3-20	23	HZX2-63719-C00	SEAL B, COVER UNDER	1	1	
F-3-20	24	HZY3-63722-010ZC	CAP, UNDER COVER	1	1	*T107* BAY BLUE
F-3-20	25	HZY3-63728-000	SEAL C, UNDER COVER	1	1	
F-3-20	26	HZY3-63731-A03ZC	COVER, R. LOWER MOUNTING	1	1	*T107* BAY BLUE LA
F-3-20		HZY3-63731-A12ZC	COVER, R. LOWER MOUNTING	1	1	*T107* BAY BLUE XA,XCA

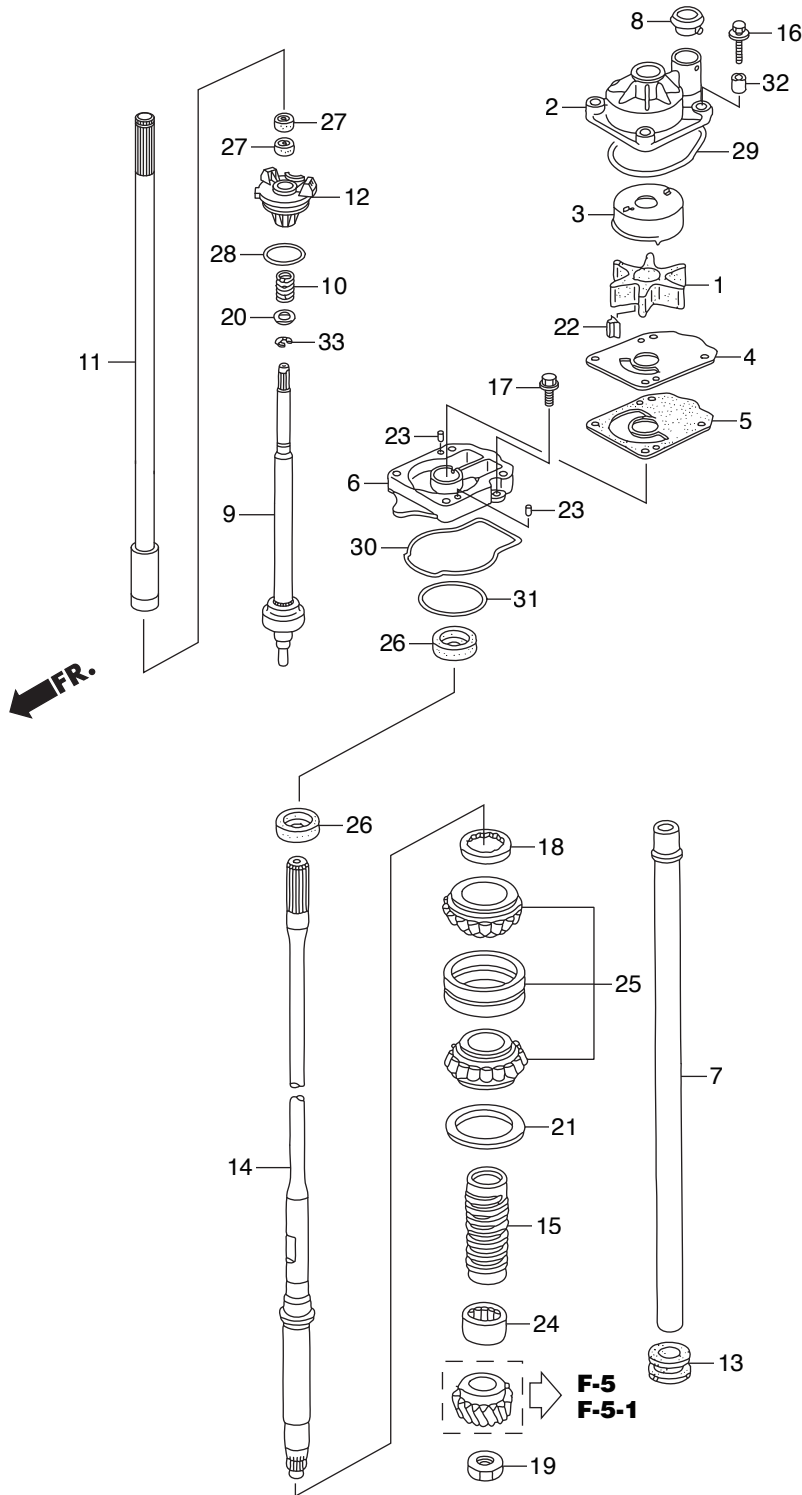


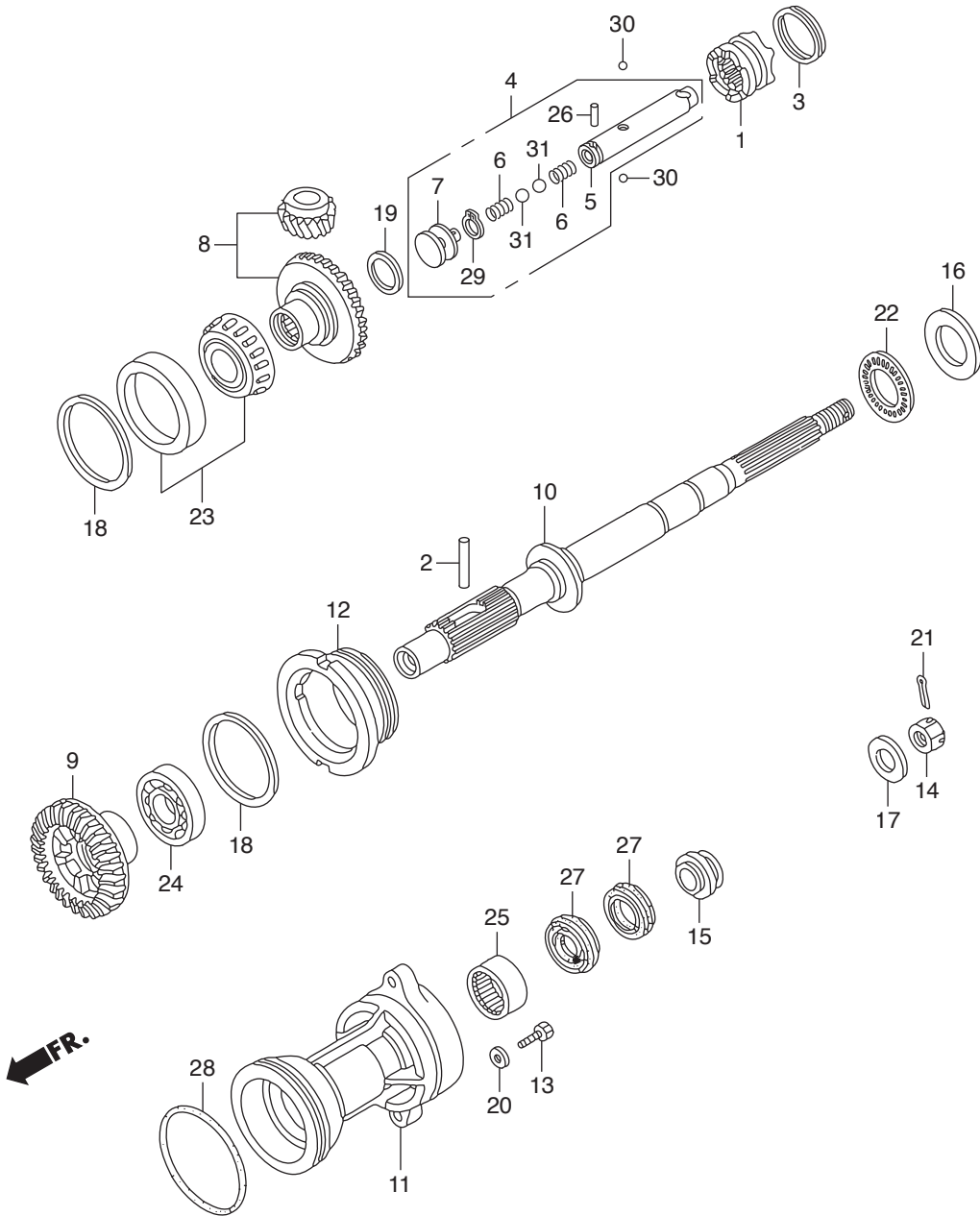
Ref.No.	Part No.	Description	Q' ty		Remarks	
			BFT200A	BFT225A		
F-3-20	27	HZY3-63736-A03ZC	COVER, L. LOWER MOUNTING	1	1	*T107* BAY BLUE LA
F-3-20		HZY3-63736-A12ZC	COVER, L. LOWER MOUNTING	1	1	*T107* BAY BLUE XA,XCA
F-3-20	28	HZY3-63751-C00	GROMMET, R. IDLE PORT	1	1	
F-3-20	29	HZY3-63756-C00	GROMMET, L. IDLE PORT	1	1	
F-3-20	30	HZV5-82873-003	GROMMET, WATER CHECK	1	1	
F-3-20	31	HZY3-90102-A00	BOLT, HEX., 10X35	6	6	
F-3-20	32	HZY3-90105-010	BOLT, HEX., 14X180	2	2	
F-3-20	33	HZV5-90110-000	SCREW, SPECIAL, 6X35	1	1	
F-3-20	34	HZY3-90111-000	BOLT, SPECIAL, 6X17	26	26	
F-3-20	36	HZY3-90113-C00	BOLT, SPECIAL, 6X22	1	1	
F-3-20	37	HZY3-90122-000	BOLT, HEX., 12X50	11	11	
F-3-20	38	HZY3-90129-A00	BOLT, SPECIAL, 6X12	2	2	
F-3-20	39	HZY3-90132-000	BOLT, SPECIAL, 6X37	2	2	
F-3-20	40	HZY3-90134-000	SCREW-WASHER, 6X40	1	1	LA
F-3-20		HCO-93500-06025-4J	SCREW, PAN, 6X25	1	1	XA,XCA
F-3-20	41	H921-90302-000	NUT, HEX., 16MM	1	1	
F-3-20	42	HZY3-90302-000	NUT, SELF-LOCK, 14MM	2	2	
F-3-20	43	HZY3-90503-610	WASHER, 30MM	1	1	XA,XCA
F-3-20	44	HZY3-90511-000	WASHER, PLAIN, 14MM	2	2	
F-3-20	46	HZV5-90559-000	WASHER, PLAIN, 12MM	11	11	
F-3-20	47	HZV5-90563-000	WASHER, PLAIN, 10MM	6	6	
F-3-20	48	HZV4-90605-000	CLIP, TUBE(B12.5)	1	1	
F-3-20	49	HZY3-90652-000	CIRCLIP, INTERNAL, 43	1	1	XA,XCA
F-3-20	50	HSA0-90683-003	CLIP, WIRE HARNESS, 25MM	1	1	
F-3-20	51	HZV5-90756-000	DOWEL PIN, 6X10	2	2	
F-3-20	52	HZY3-91451-000	TUBE, WATER JOINT	1	1	
F-3-20	53	HZY3-91552-000	COLLAR, 6.2X10X25.5	1	1	LA
F-3-20		HZY6-91553-000	COLLAR, DISTANCE, 6.5X9X5	1	1	XA,XCA
F-3-20	54	HZV5-91563-000	COLLAR, DISTANCE, 6X10.5X25	1	1	



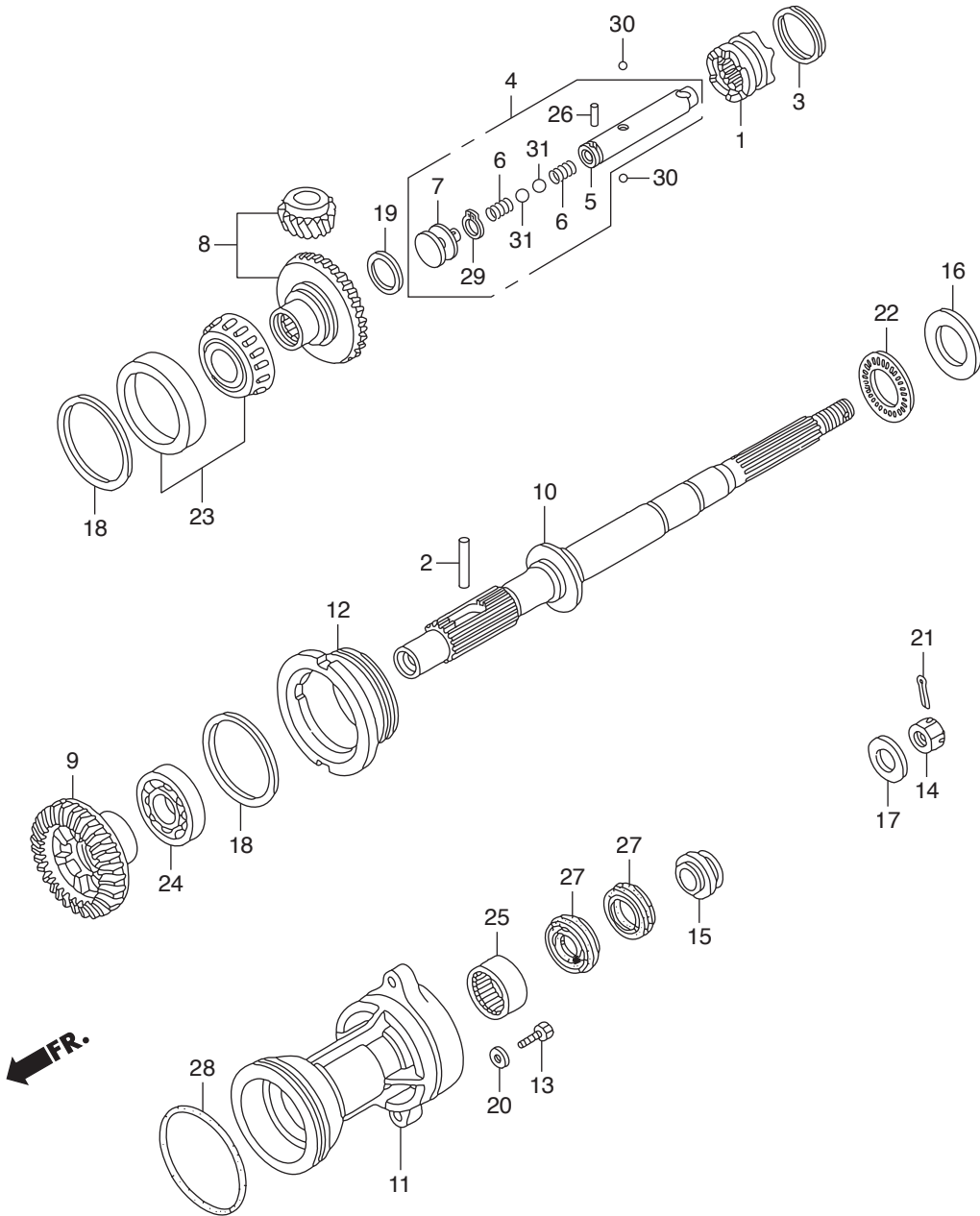


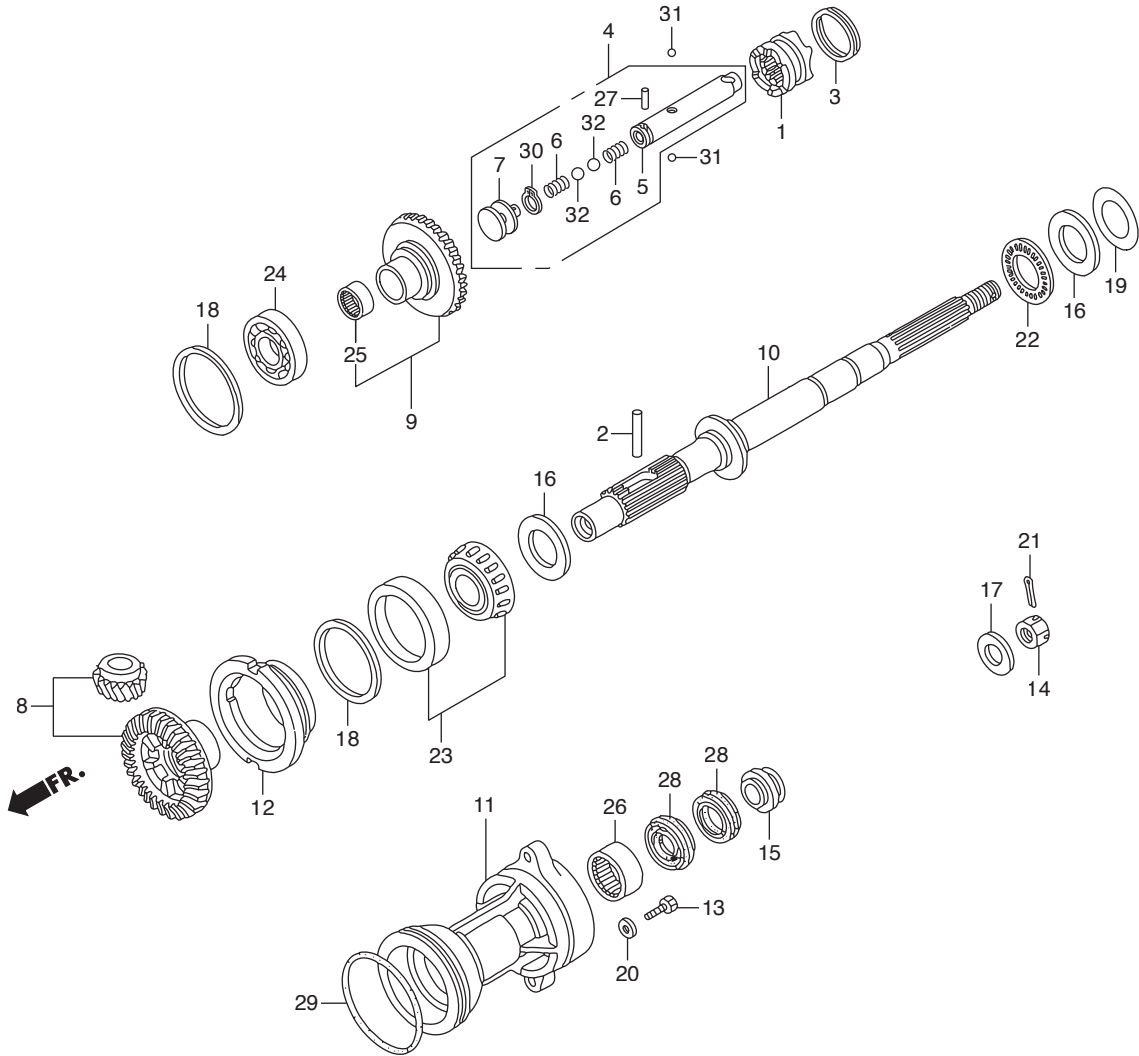
Ref.No.	Part No.	Description	Q' ty		Remarks	
			BFT200A	BFT225A		
F-4	1	HZY3-19210-003	IMPELLER, PUMP	1	1	
F-4	2	HZY3-19221-010	HOUSING, IMPELLER	1	1	
F-4	3	HZY3-19223-000	LINER, PUMP	1	1	
F-4	4	HZY3-19231-000	COVER, IMPELLER	1	1	
F-4	5	HZY3-19234-000	GASKET B, IMPELLER	1	1	
F-4	6	HZY3-19241-000	HOUSING, WATER PUMP	1	1	
F-4	7	HZY3-19251-000	TUBE, WATER(L)	1	1	LA
F-4		HZY3-19251-611	TUBE, WATER(XL)	1	1	XA,XCA
F-4	8	HZY3-19253-000	RING, WATER TUBE SEAL	1	1	
F-4	9	HZY3-24310-C00	ROD COMP., SHIFT	1	1	LA,XA
F-4		HZY3-24310-E00	ROD COMP., SHIFT	1	1	(COUNTER ROTATION) XCA
F-4	10	HZY3-24318-000	SPRING, SHIFT ROD	1	1	
F-4	11	HZY6-24320-000	ROD COMP. A, SHIFT(L)	1	1	LA
F-4		HZY6-24320-610	ROD COMP. A, SHIFT(XL)	1	1	XA,XCA
F-4	12	HZW1-24343-B02	HOLDER, SHIFT ROD	1	1	
F-4	13	HZY3-40204-000	GROMMET, EXTENSION CASE	1	1	
F-4	14	HZY3-41112-010	SHAFT, VERTICAL(L)	1	1	LA
F-4		HZY3-41112-611	SHAFT, VERTICAL(XL)	1	1	XA,XCA
F-4	15	HZY3-41116-000	SLINGER, OIL	1	1	
F-4	16	HZX2-90105-C00	BOLT, WASHER, 8X60	4	4	
F-4	17	HHW1-90215-671	BOLT, FLANGE, 6X16	1	1	
F-4	18	HZW1-90242-000	NUT, LOCK, 64MM	1	1	
F-4	19	HZY3-90303-000	NUT, HEX., 18MM	1	1	
F-4	20	H723-90472-000	WASHER, PLAIN, 12MM	1	1	
F-4	21	HZW1-90518-B00	SHIM A, GEAR(0.10)	1	1	
F-4		HZW1-90519-B00	SHIM B, GEAR(0.15)	1	1	
F-4		HZW1-90520-B00	SHIM C, GEAR(0.30)	1	1	
F-4		HZW1-90521-B00	SHIM D, GEAR(0.50)	1	1	
F-4	22	HZY3-90752-003	KEY, WOODRUFF	1	1	



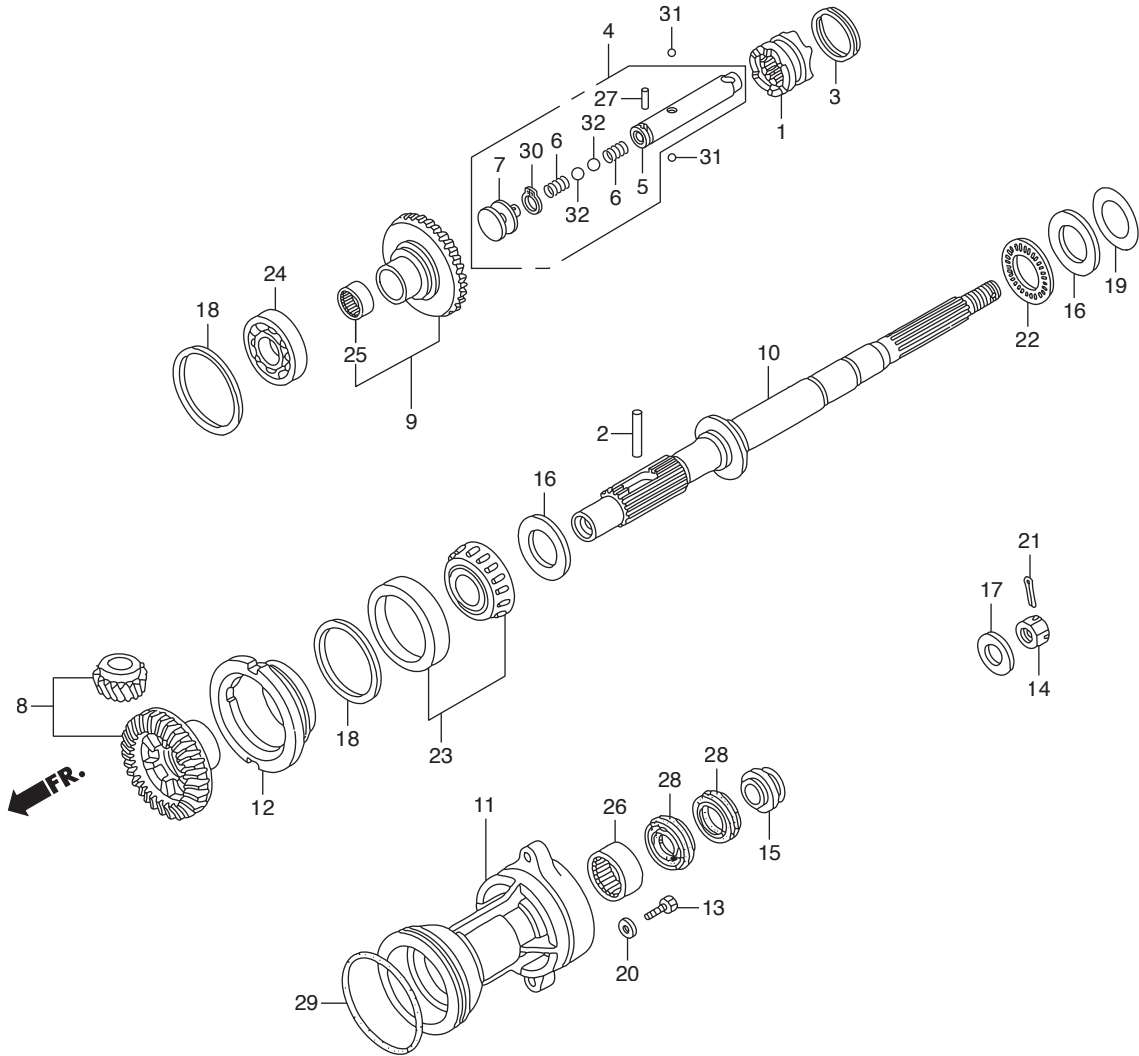


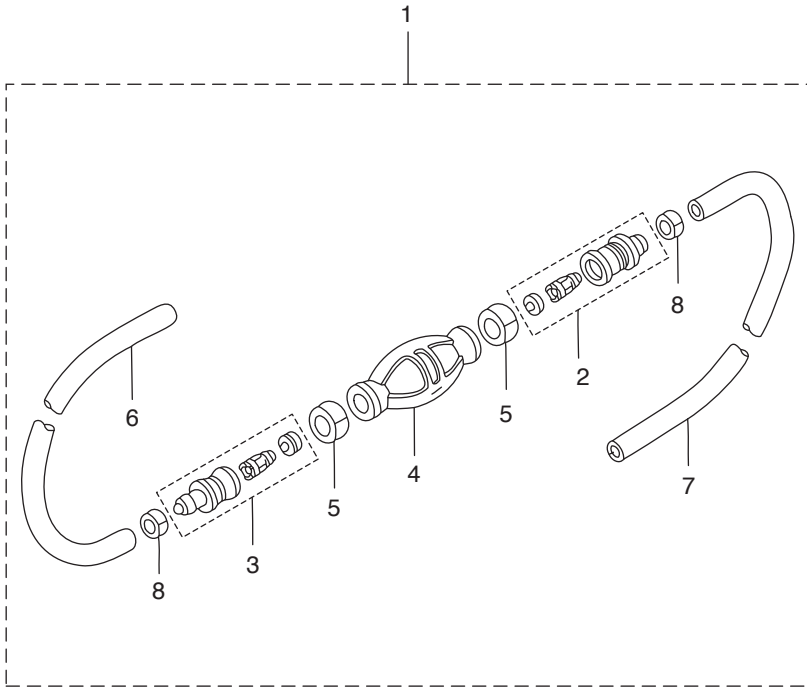
Ref.No.	Part No.	Description	Q' ty		Remarks	
			BFT200A	BFT225A		
F-5	1	HZY3-24101-A01	SHIFTER, CLUTCH	1	1	LA,XA
F-5	2	HZY3-24102-000	PIN, SHIFTER, 8X50	1	1	LA,XA
F-5	3	HZY3-24103-000	RING, CROSS PIN	1	1	LA,XA
F-5	4	HZY3-24113-A01	SLIDER COMP., SHIFT	1	1	LA,XA
F-5	5	HZY3-24122-A01	SLIDER, SHIFT	1	1	LA,XA
F-5	6	HZY3-24123-000	SPRING, SHIFT	2	2	LA,XA
F-5	7	HZY3-24124-310	PLATE, SHIFT	1	1	LA,XA
F-5	8	HZY3-41130-C00	GEAR SET	1	1	LA,XA
F-5	9	HZY3-41151-C00	GEAR, BEVEL(RVS. 28T)	1	1	LA,XA
F-5	10	HZY3-41161-A00	SHAFT, PROPELLER	1	1	LA,XA
F-5	11	HZY3-41201-C00ZC	HOLDER, PROPELLER SHAFT	1	1	*T107* BAY BLUE LA,XA
F-5	12	HZY3-41202-000	HOLDER, BEARING	1	1	LA,XA
F-5	13	HZY3-90123-000	BOLT, HEX., 12X45	2	2	LA,XA
F-5	14	HZW1-90301-B00	NUT, CASTLE, 18MM	1	1	LA,XA
F-5	15	HZY3-90506-000	WASHER, PROPELLER THRUST	1	1	LA,XA
F-5	16	HZW5-90509-711	WASHER, THRUST BEARING	1	1	LA,XA
F-5	17	HZY3-90512-000	WASHER, PROPELLER	1	1	LA,XA
F-5	18	HZY3-90528-000	SHIM A, BEVEL(0.10)	2	2	LA,XA
F-5		HZY3-90529-000	SHIM B, BEVEL(0.15)	2	2	LA,XA
F-5		HZY3-90530-000	SHIM C, BEVEL(0.30)	2	2	LA,XA
F-5		HZY3-90531-000	SHIM D, BEVEL(0.50)	2	2	LA,XA
F-5	19	HZY3-90548-000	SHIM A, THRUST(2.75)	1	1	LA,XA
F-5		HZY3-90549-000	SHIM B, THRUST(2.80)	1	1	LA,XA
F-5		HZY3-90550-000	SHIM C, THRUST(2.85)	1	1	LA,XA
F-5		HZY3-90551-000	SHIM D, THRUST(2.90)	1	1	LA,XA
F-5		HZY3-90552-000	SHIM E, THRUST(2.95)	1	1	LA,XA
F-5		HZY3-90553-000	SHIM F, THRUST(3.00)	1	1	LA,XA
F-5		HZY3-90554-000	SHIM G, THRUST(3.05)	1	1	LA,XA
F-5		HZY3-90555-000	SHIM H, THRUST(3.10)	1	1	LA,XA

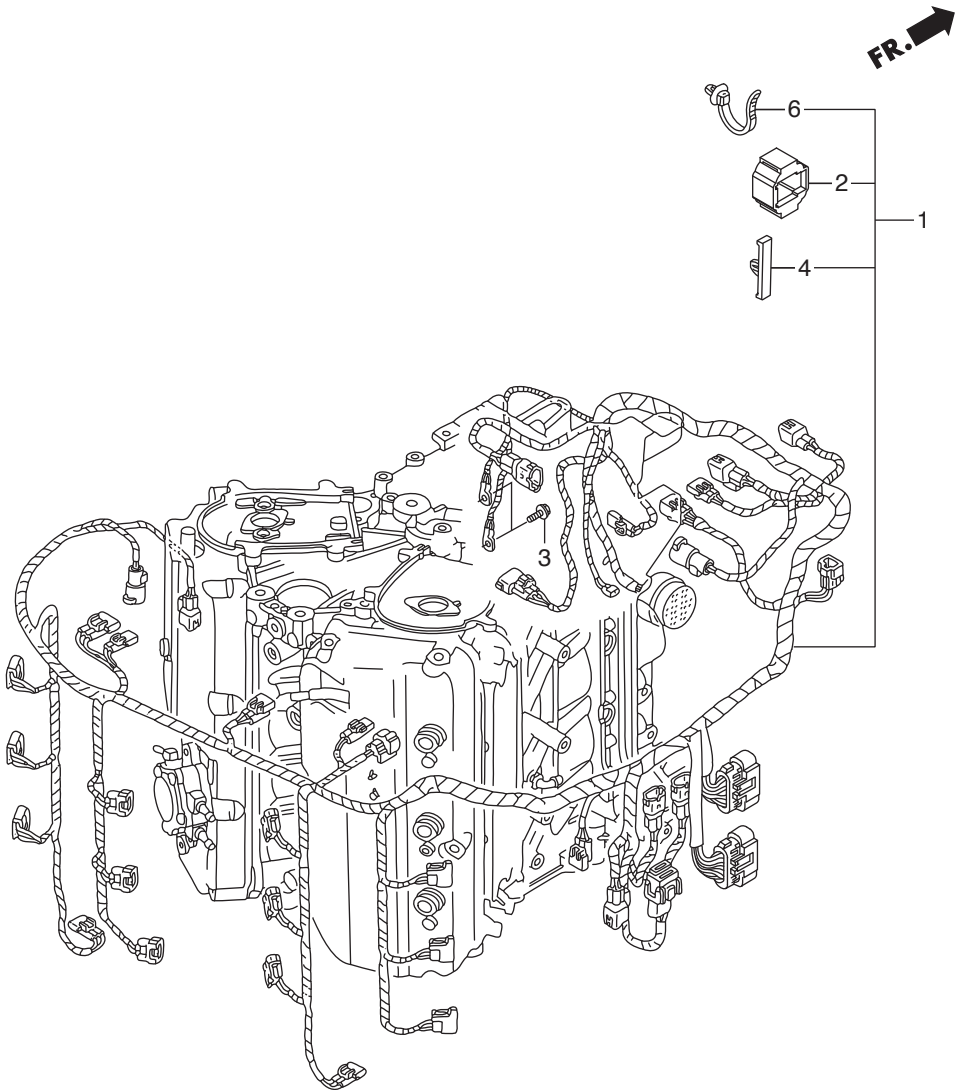


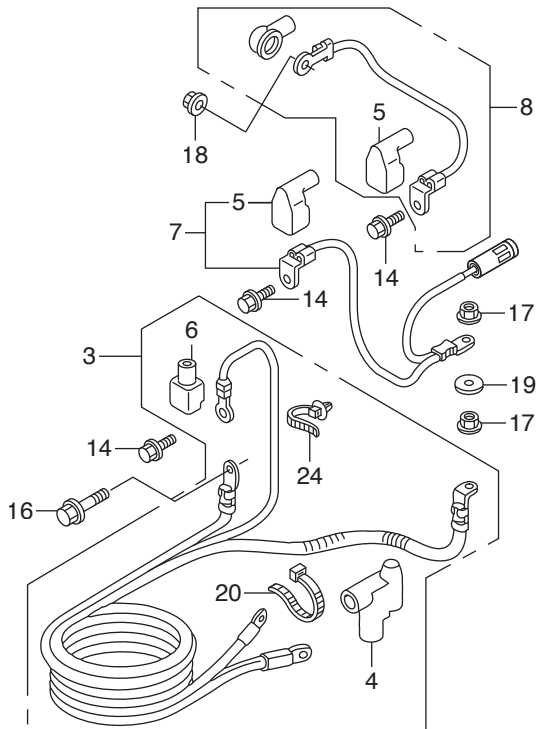
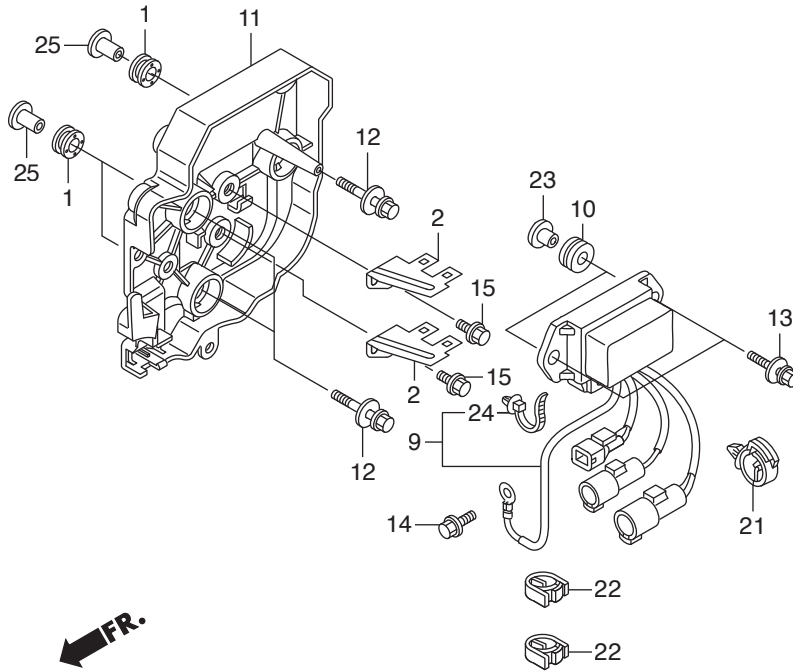


Ref.No.	Part No.	Description	Q' ty		Remarks	
			BFT200A	BFT225A		
F-5-1	1	HZY3-24101-A01	SHIFTER, CLUTCH	1	1	XCA
F-5-1	2	HZY3-24102-000	PIN, SHIFTER, 8X50	1	1	XCA
F-5-1	3	HZY3-24103-000	RING, CROSS PIN	1	1	XCA
F-5-1	4	HZY3-24113-A01	SLIDER COMP., SHIFT	1	1	XCA
F-5-1	5	HZY3-24122-A01	SLIDER, SHIFT	1	1	XCA
F-5-1	6	HZY3-24123-000	SPRING, SHIFT	2	2	XCA
F-5-1	7	HZY3-24124-310	PLATE, SHIFT	1	1	XCA
F-5-1	8	HZY3-41130-E00	GEAR SET(COUNTER ROTATION)	1	1	XCA
F-5-1	9	HZY3-41150-E00	GEAR COMP., BEVEL(RVS. 28T)	1	1	(COUNTER ROTATION) XCA
F-5-1	10	HZY3-41161-B00	SHAFT, PROPELLER	1	1	(COUNTER ROTATION) XCA
F-5-1	11	HZY3-41201-C00ZC	HOLDER, PROPELLER SHAFT	1	1	*T107* BAY BLUE XCA
F-5-1	12	HZY3-41202-700	HOLDER, BEARING(C/R)	1	1	XCA
F-5-1	13	HZY3-90123-000	BOLT, HEX., 12X45	2	2	XCA
F-5-1	14	HZW1-90301-B00	NUT, CASTLE, 18MM	1	1	XCA
F-5-1	15	HZY3-90506-000	WASHER, PROPELLER THRUST	1	1	XCA
F-5-1	16	HZW5-90509-711	WASHER, THRUST BEARING	2	2	XCA
F-5-1	17	HZY3-90512-000	WASHER, PROPELLER	1	1	XCA
F-5-1	18	HZY3-90528-000	SHIM A, BEVEL(0.10)	2	2	XCA
F-5-1		HZY3-90529-000	SHIM B, BEVEL(0.15)	2	2	XCA
F-5-1		HZY3-90530-000	SHIM C, BEVEL(0.30)	2	2	XCA
F-5-1		HZY3-90531-000	SHIM D, BEVEL(0.50)	2	2	XCA
F-5-1	19	HZW5-90548-710	SHIM A, THRUST(0.10)	1	1	XCA
F-5-1		HZW5-90549-710	SHIM B, THRUST(0.15)	1	1	XCA
F-5-1		HZW5-90550-710	SHIM C, THRUST(0.30)	1	1	XCA
F-5-1		HZW5-90551-710	SHIM D, THRUST(0.50)	1	1	XCA
F-5-1	20	HZV5-90559-000	WASHER, PLAIN, 12MM	2	2	XCA
F-5-1	21	HZW1-90758-B00	PIN, SPLIT, 4.0	1	1	XCA
F-5-1	22	HPT2-91005-N01	BEARING, THRUST(F)	1	1	XCA
F-5-1	23	HZY3-91051-003	BEARING, TAPER, 50X90X21.5	1	1	XCA

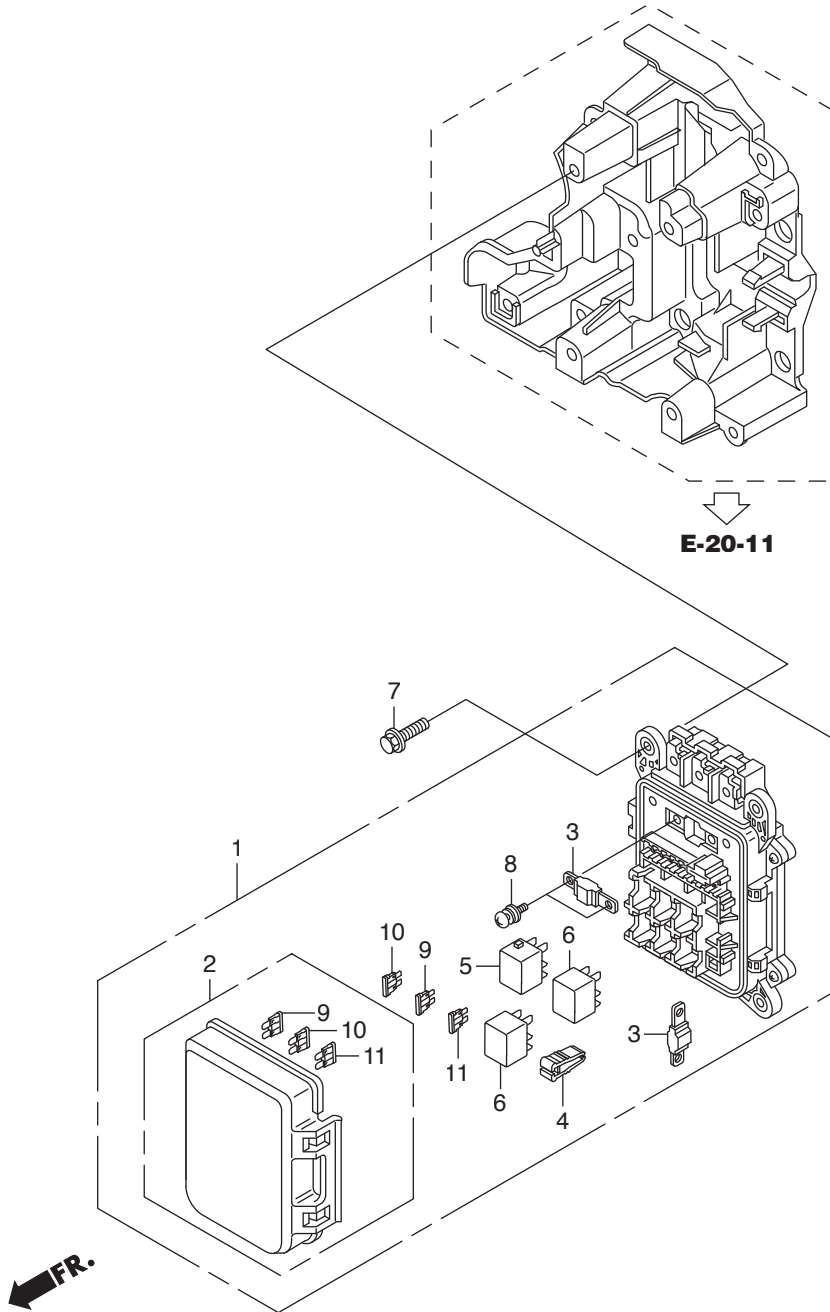


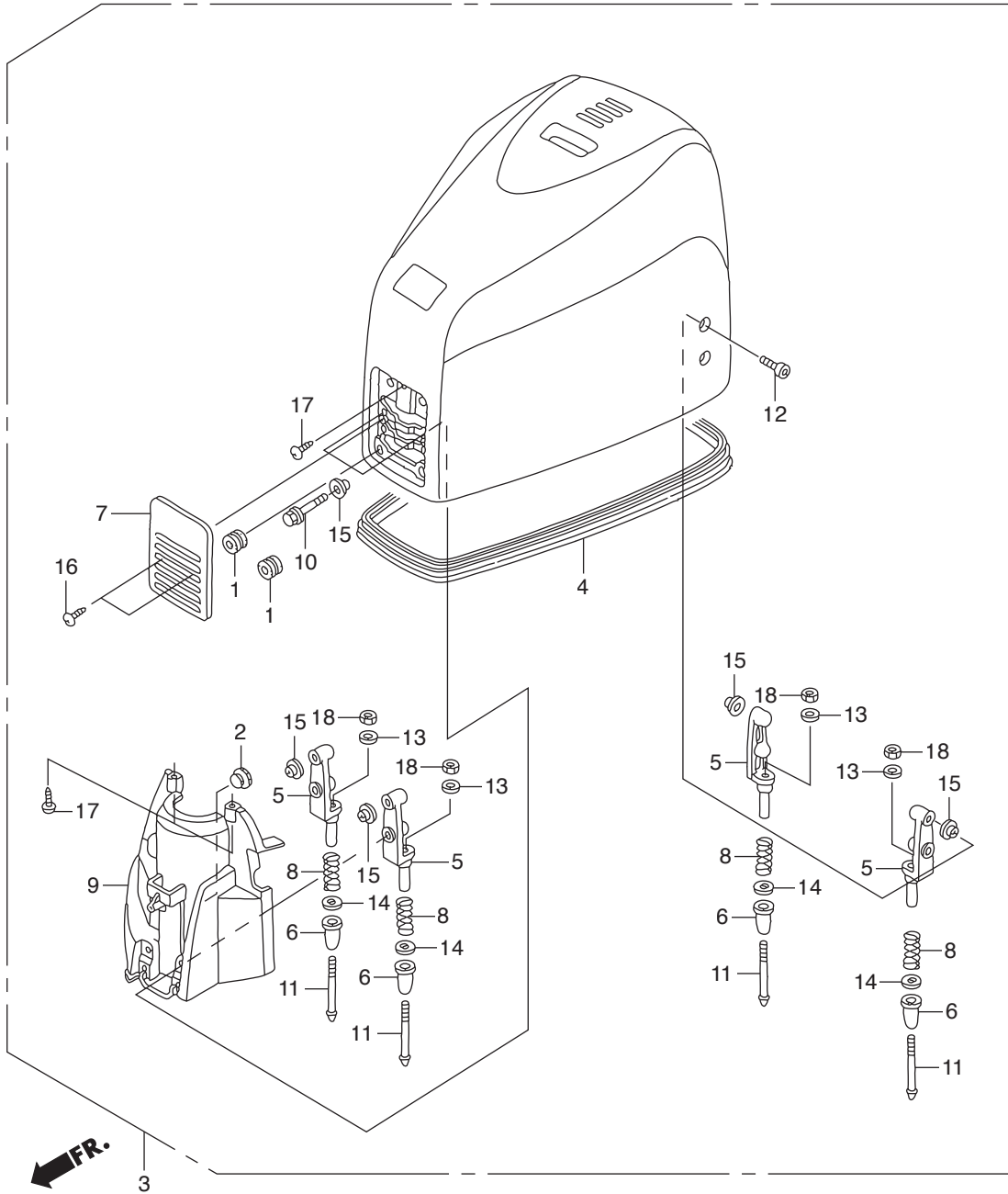


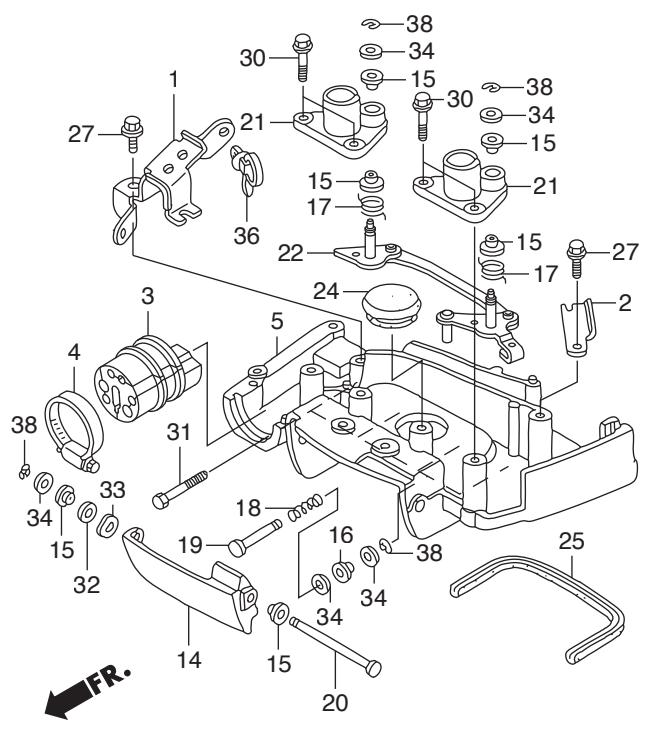
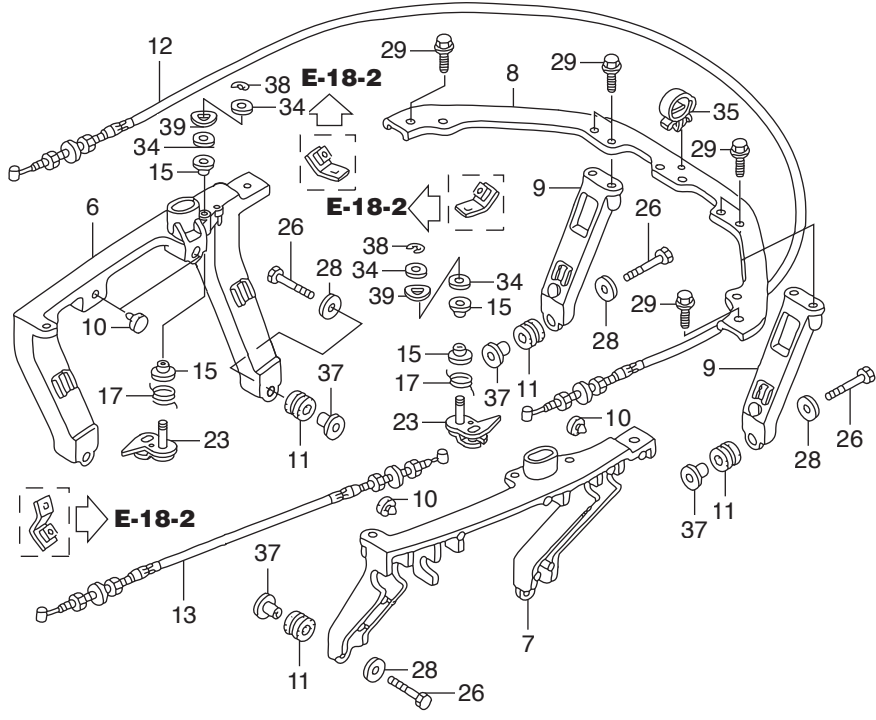




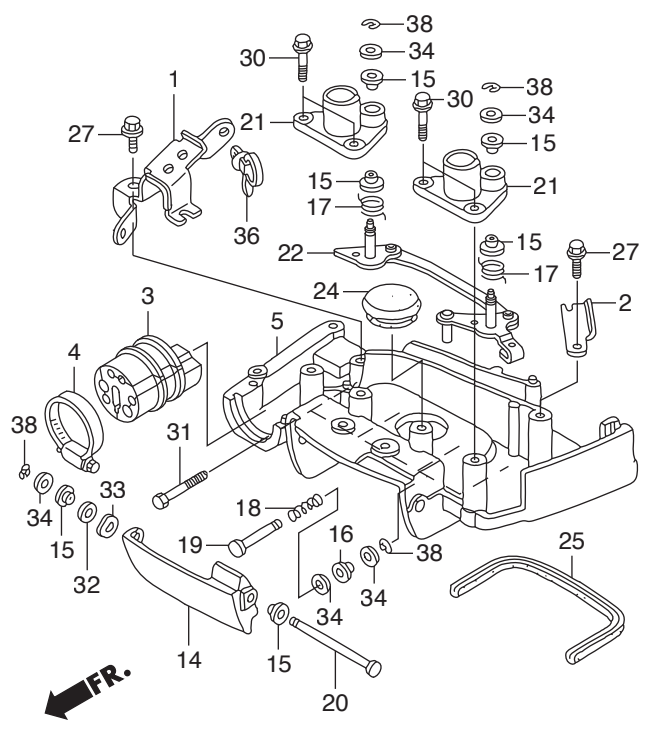
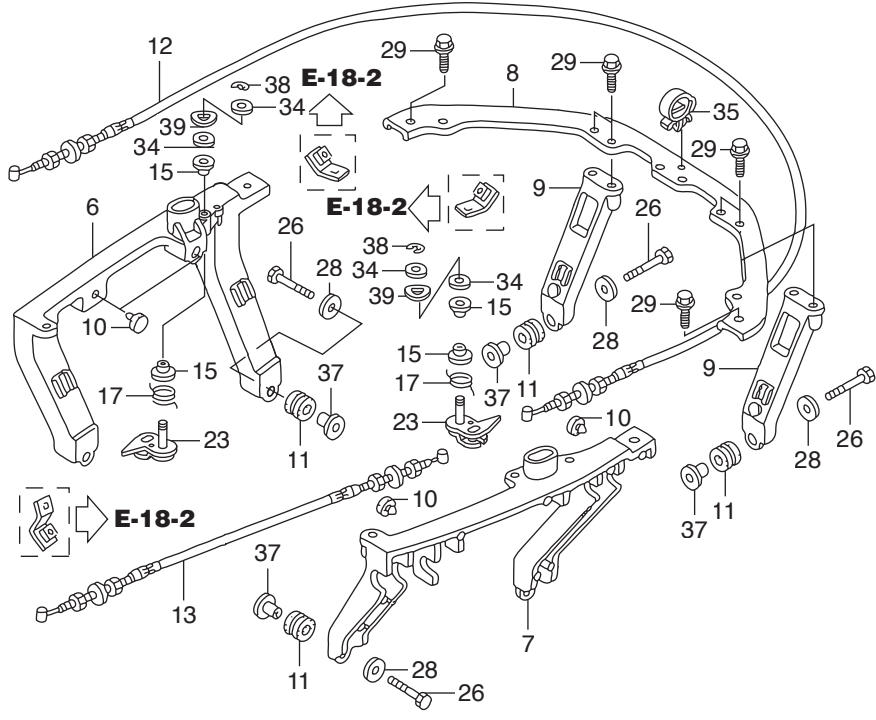
Ref.No.	Part No.	Description	Q' ty		Remarks	
			BFT200A	BFT225A		
F-7-11	1	HZY9-30419-003	GROMMET, ELECTRONIC PARTS CASE	3	3	
F-7-11	2	HZY9-32103-000	BRACKET C, COUPLER	2	2	
F-7-11	3	HZX2-32410-000	CABLE ASSY., STARTER	1	1	
F-7-11	4	HZY3-32411-003	COVER, STARTER TERMINAL	1	1	
F-7-11	5	HZX2-32414-300	COVER B, TERMINAL(L)	2	2	
F-7-11	6	HZY6-32414-640	COVER B, TERMINAL	1	1	
F-7-11	7	HZX2-32415-000	CABLE ASSY., POWER TILT RELAY	1	1	
F-7-11	8	HZX2-32435-000	CORD, A.C. GENERATOR	1	1	
F-7-11	9	HZX2-38550-003	RELAY ASSY., POWER TILT	1	1	
F-7-11	10	HZW1-38551-000	GROMMET, RELAY	2	2	
F-7-11	11	HZX2-38552-000	CASE, POWER TILT RELAY	1	1	
F-7-11	12	HZW2-90003-000	BOLT-WASHER, 6X27(CT200)	3	3	
F-7-11	13	HZW1-90013-000	BOLT-WASHER, 6X25	2	2	
F-7-11	14	HZW9-90013-000	BOLT, FLANGE, 6X12	4	4	
F-7-11	15	HZW9-90014-000	BOLT, FLANGE, 6X10	2	2	
F-7-11	16	HZY3-90107-000	BOLT, FLANGE, 8X18	1	1	
F-7-11	17	HZW1-90203-000	NUT-WASHER, 8MM	2	2	
F-7-11	18	HZY3-90304-000	NUT-WASHER, 6MM	1	1	
F-7-11	19	HZY3-90405-000	WASHER, PLAIN, 8MM	1	1	
F-7-11	20	HSB2-90620-003	BAND, WIRE HARNESS	1	1	
F-7-11	21	H763-90681-A01	CLIP, WIRE HARNESS	1	1	
F-7-11	22	HZX2-90683-003	CLIP, WIRE HARNESS	2	2	
F-7-11	23	HZZ5-91501-000	COLLAR, MOUNTING(6MM)	2	2	
F-7-11	24	HS0A-91541-003	CLIP, HARNESS BAND(BLACK)	4	4	(145MM)
F-7-11	25	HZV5-91553-010	COLLAR, C.D.I. UNIT CASE	3	3	

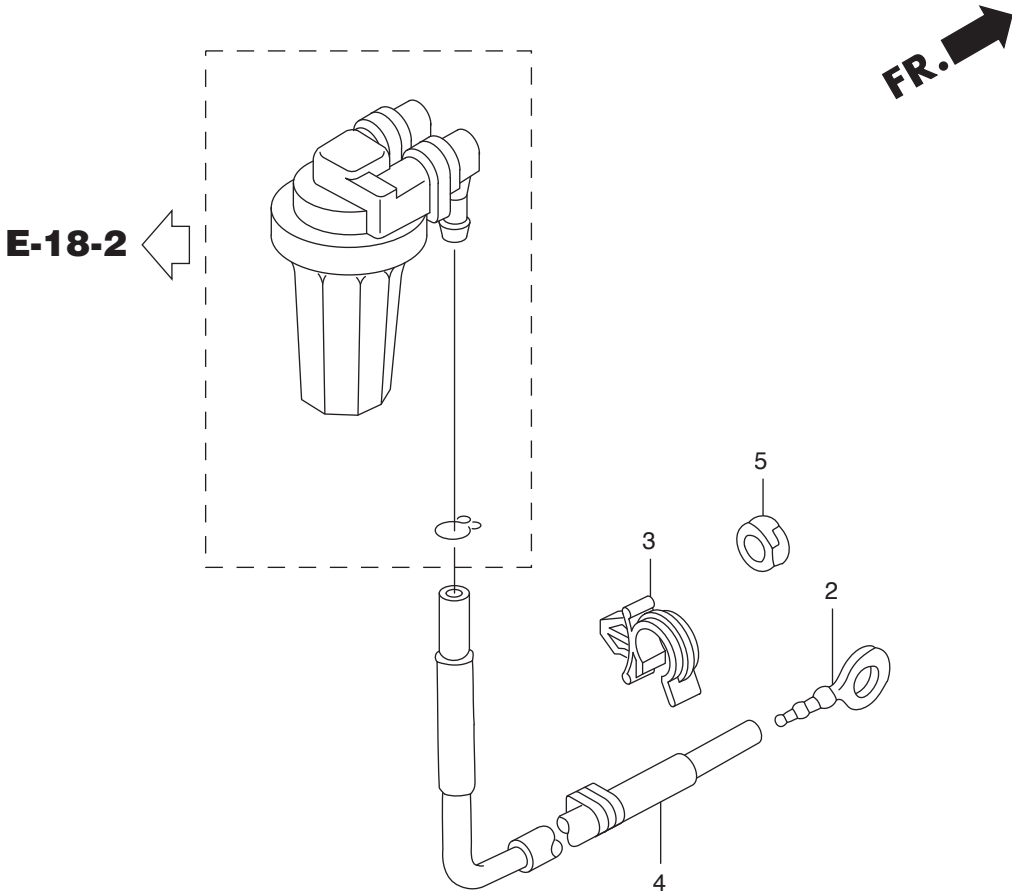






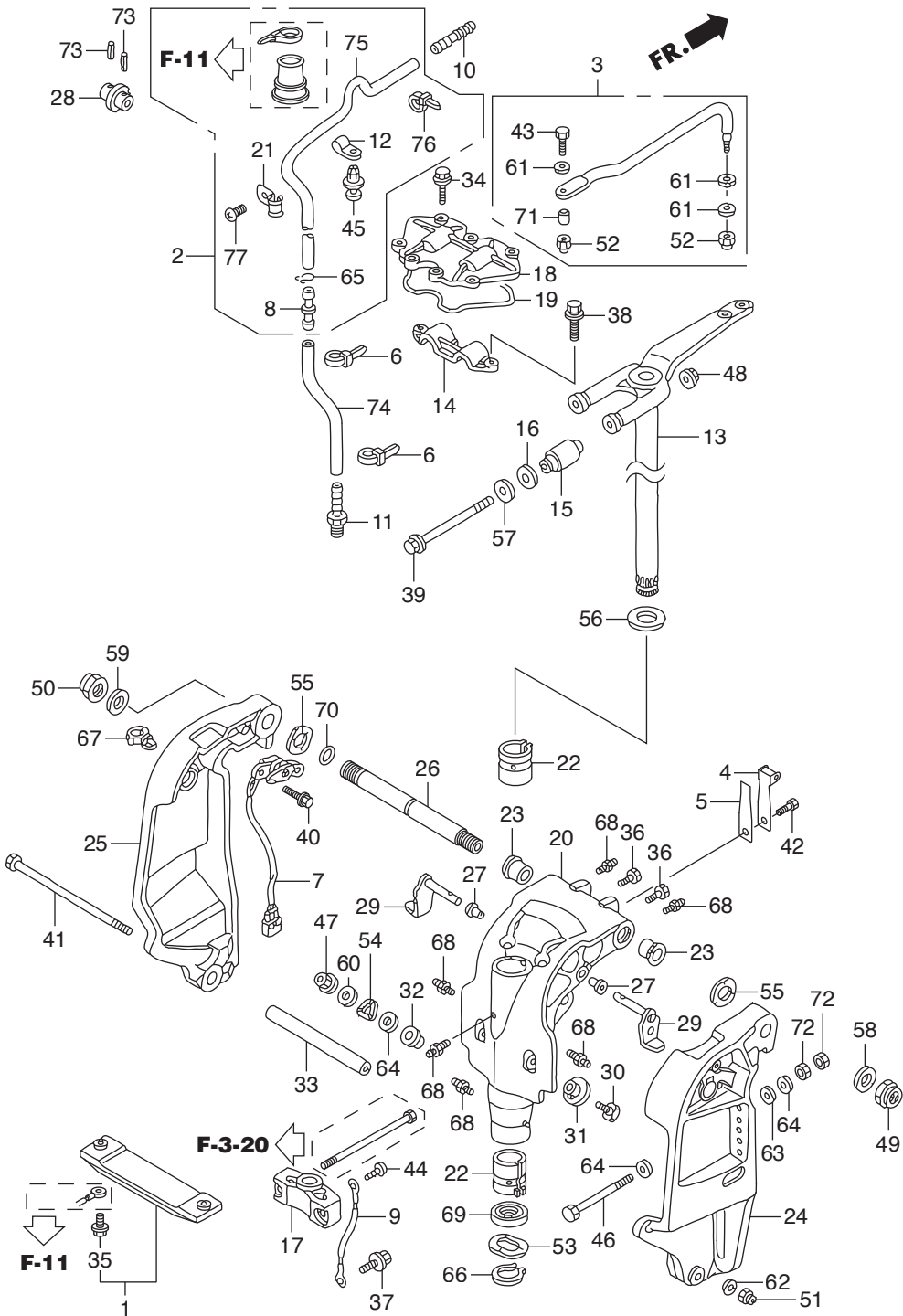
Ref.No.	Part No.	Description	Q' ty		Remarks	
			BFT200A	BFT225A		
F-8-10	1	HZY3-32419-A00	BRACKET, CABLE	1	1	
F-8-10	2	HZY3-32421-000	PLATE, STARTER CABLE	1	1	
F-8-10	3	HZY3-40105-C01	GROMMET A, UNDER CASE	1	1	
F-8-10	4	HZY3-40119-003	BAND, UNDER CASE GROMMET	1	1	
F-8-10	5	HZY3-40154-000ZA	BRACKET, FR. COVER	1	1	*NH8* DARK GRAY
F-8-10	6	HZY3-40155-000	BRACKET, R. SIDE COVER	1	1	
F-8-10	7	HZY3-40157-000	BRACKET, L. SIDE COVER	1	1	
F-8-10	8	HZY3-40158-000	BRACKET A, RR. COVER	1	1	
F-8-10	9	HZY3-40159-000	BRACKET B, RR. COVER	2	2	
F-8-10	10	H196-47117-000	RUBBER, STOPPER	4	4	
F-8-10	11	H121-51640-730	RUBBER, FR. CARRIER CUSHION	6	6	
F-8-10	12	HZY3-60180-C01	CABLE COMP. A, COVER LOCK	1	1	
F-8-10	13	HZY3-60185-C01	CABLE COMP. B, COVER LOCK	1	1	
F-8-10	14	HZY3-63201-000ZC	LEVER, COVER LOCK	1	1	*T107* BAY BLUE
F-8-10	15	HZY3-63205-000	BUSH A, COVER LOCK	10	10	
F-8-10	16	HZY3-63208-000	BUSH B, COVER LOCK	1	1	
F-8-10	17	HZY3-63212-000	SPRING, COVER LOCK HOOK	4	4	
F-8-10	18	HZY3-63223-000	SPRING, LOCK LEVER RETURN	1	1	
F-8-10	19	HZY3-63224-000	SHAFT, COVER OPEN	1	1	
F-8-10	20	HZY3-63225-000	SHAFT, FR. LOCK	1	1	
F-8-10	21	HZY3-63226-000	HOLDER, STRIKER	2	2	
F-8-10	22	HZY3-63230-C00	LOCK ASSY., FR.	1	1	
F-8-10	23	HZX2-63260-C00	LOCK COMP., SIDE	2	2	
F-8-10	24	HZC0-63515-700	CAP, L. SIDE COVER	1	1	
F-8-10	25	HZY3-63729-003	SEAL D, UNDER COVER	1	1	
F-8-10	26	HZV5-90009-000	BOLT, HEX., 8X35	6	6	
F-8-10	27	HZY3-90021-000	BOLT, FLANGE, 6X14	2	2	
F-8-10	28	HML0-90101-720	WASHER, PLAIN, 8MM	6	6	
F-8-10	29	HZW9-90102-000	BOLT, FLANGE, 6X12	6	6	



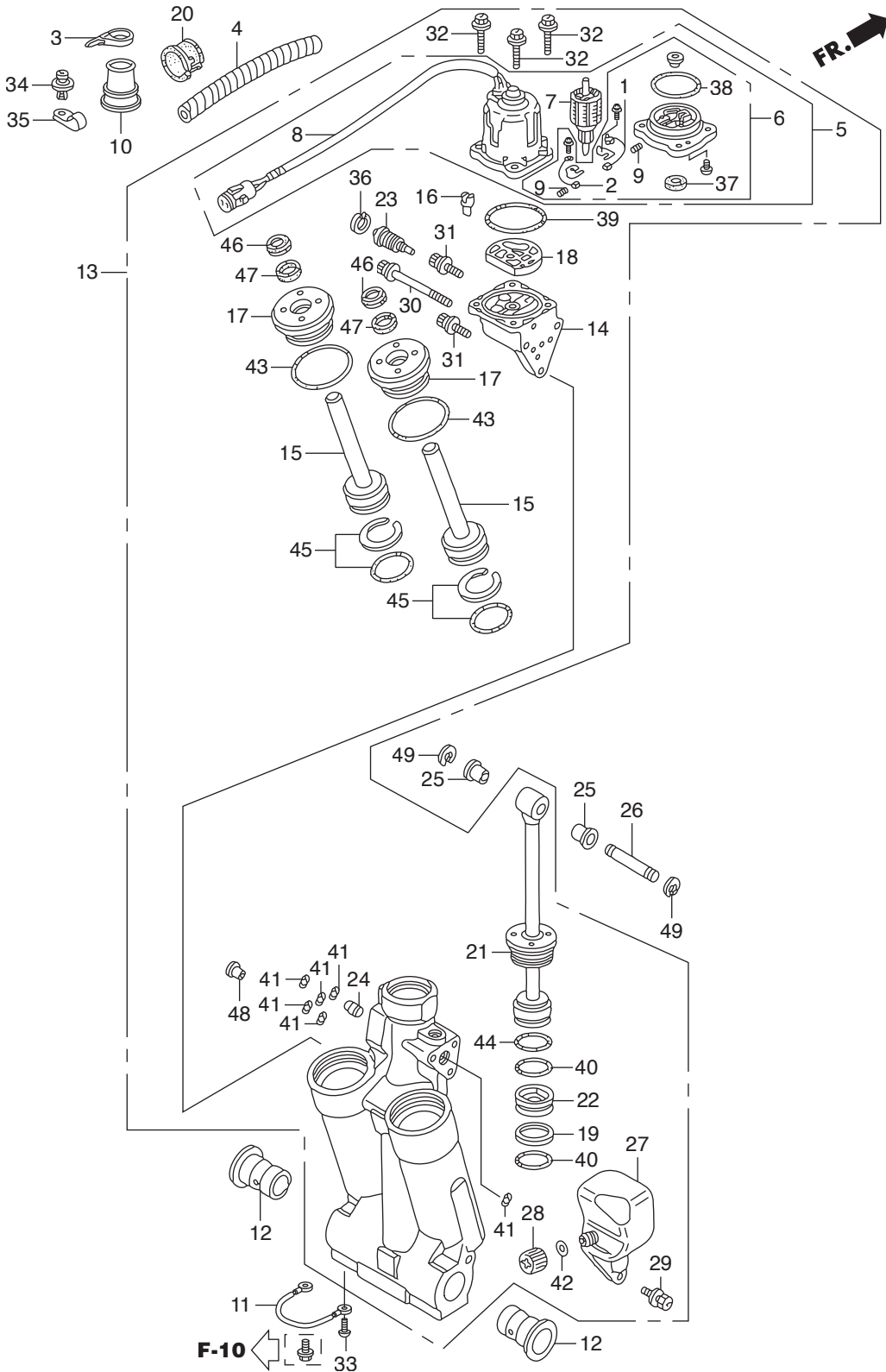


Ref.No.	Part No.	Description	Q' ty		Remarks	
			BFT200A	BFT225A		
F-10	1	HZW1-06411-020	METAL KIT, ANODE	1	1	
F-10	2	HZY3-06412-000	TUBE KIT, SPEED SENSOR	1	1	
F-10	3	HZY3-06532-U00	ROD KIT, STEERING	1	1	
F-10	4	HZV1-24210-010	SPRING COMP., CLICK	1	1	
F-10	5	HZV4-24221-010	SPRING, CLICK ASSIST	1	1	
F-10	6	HKM3-32161-003	BAND, WIRE	2	2	
F-10	7	HZY3-35660-003	SENSOR ASSY., TRIM ANGLE	1	1	
F-10	8	H663-38562-920	JOINT B, WASHER TUBE(MITSUBA)	1	1	
F-10	9	HZY3-40219-013	WIRE, LEAD(1.5X116MM)	1	1	
F-10	10	HZV5-41171-000	END, NIPPLE	1	1	
F-10	11	HZV5-41172-000	NIPPLE, SENSOR	1	1	
F-10	12	HZY3-41179-A00	CLAMPER, SENSOR TUBE	2	2	
F-10	13	HZY3-50100-A01	FRAME COMP., MOUNTING(L)	1	1	LA
F-10		HZY3-50100-A11	FRAME COMP., MOUNTING(XL)	1	1	XA,XCA
F-10	14	HZY3-50109-000	HOUSING, UPPER MOUNTING	1	1	
F-10	15	HZY3-50151-000	MOUNT COMP., UPPER RUBBER	2	2	
F-10	16	HZY3-50153-000	RUBBER, UPPER MOUNT STOPPER	2	2	
F-10	17	HZY3-50161-000ZD	HOUSING, LOWER CENTER MOUNTING	1	1	*T107* BAY BLUE LA
F-10		HZY3-50161-610	HOUSING, LOWER CENTER MOUNTING	1	1	(XL)XA,XCA
F-10	18	HZY3-50166-000	COVER, UPPER MOUNT	1	1	
F-10	19	HZY3-50168-000	SEAL, UPPER MOUNT COVER	1	1	
F-10	20	HZY3-50201-C01ZD	CASE, SWIVEL	1	1	*T107* BAY BLUE LA
F-10		HZY3-50201-C11ZC	CASE, SWIVEL	1	1	*T107* BAY BLUE XA,XCA
F-10	21	HZY3-50209-A00	CLAMP, TUBE	2	2	
F-10	22	HZY3-50211-000	LINER, SWIVEL CASE	2	2	
F-10	23	HZY3-50214-000	BUSH, SWIVEL CASE	2	2	
F-10	24	HZY3-50301-030ZC	BRACKET, R. STERN	1	1	*T107* BAY BLUE
F-10	25	HZY3-50311-020ZC	BRACKET, L. STERN	1	1	*T107* BAY BLUE
F-10	26	HZY3-50381-000	SHAFT, TILTING	1	1	

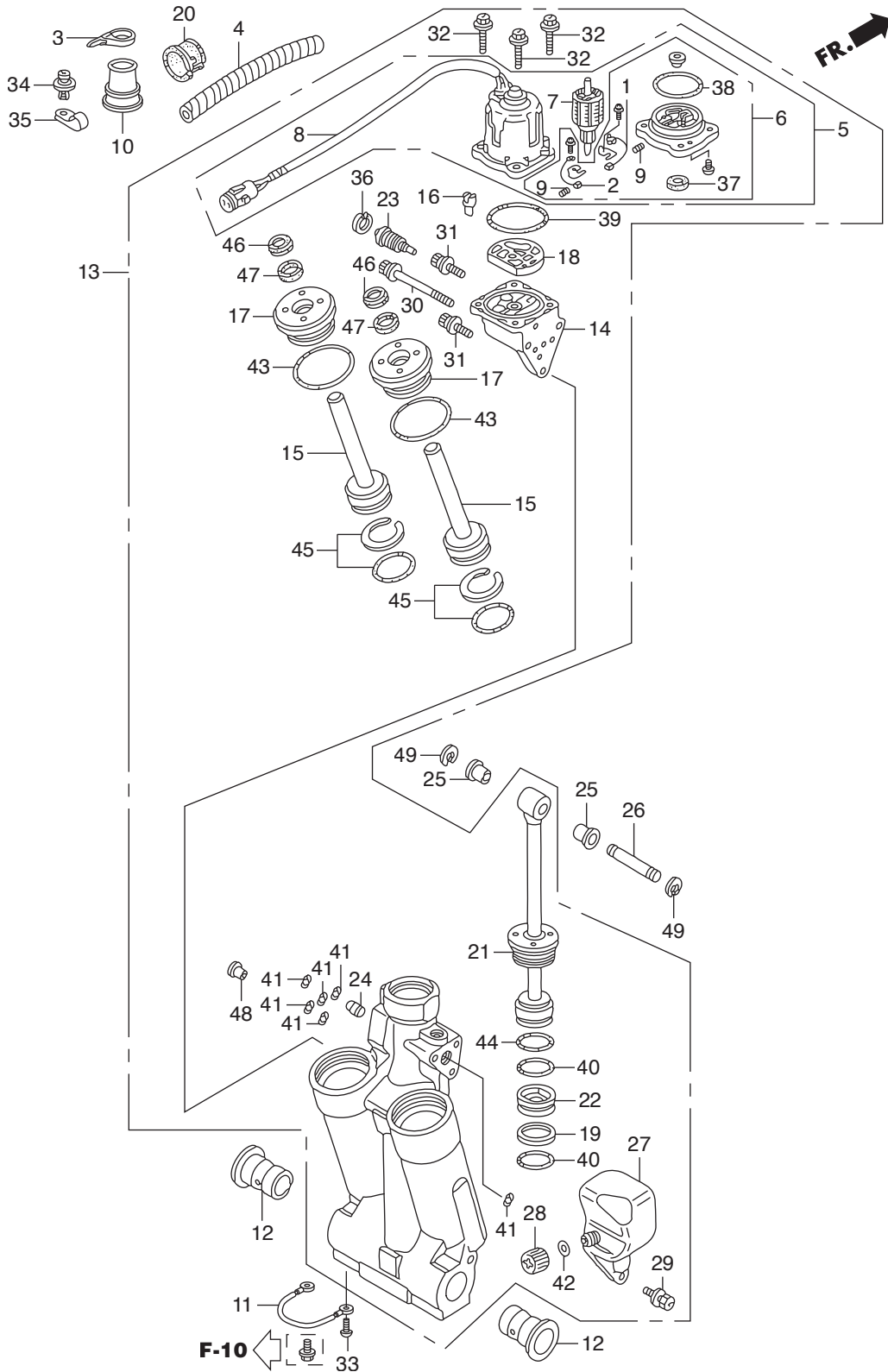
Ref.No.	Part No.	Description	Q' ty		Remarks	
			BFT200A	BFT225A		
F-10	27	HZY3-50522-000	BUSH, TILT ARM	2	2	
F-10	28	HZY3-50527-000	BRACKET, TILTING	1	1	
F-10	29	HZY3-50529-000	STOPPER, TILT	2	2	
F-10	30	HZY3-56516-A00	RECEIVER, THRUST	2	2	
F-10	31	HZY3-56518-A00	BUSH A, THRUST RECEIVE	2	2	
F-10	32	HZY3-56519-A00	BUSH B, THRUST RECEIVE	2	2	
F-10	33	HZW1-56539-000	COLLAR, LOWER CYLINDER	1	1	
F-10	34	HZW9-90005-000	BOLT, FLANGE, 6X20	7	7	
F-10	35	HZW9-90009-000	BOLT, FLANGE, 6X23	2	2	
F-10	36	HZW1-90102-000	BOLT, 1/4-28UNF	2	2	
F-10	37	HZW9-90103-010	BOLT, FLANGE, 6X12	1	1	
F-10	38	HZY6-90103-000	BOLT-WASHER, 10X32	3	3	
F-10	39	HZY3-90104-010	BOLT, HEX., 12X200	2	2	
F-10	40	HZW9-90105-000	BOLT, FLANGE, 6X20	2	2	
F-10	41	HZW1-90108-000	BOLT, HEX., 10X235	1	1	
F-10	42	H881-90110-000	BOLT, HEX., 6X14	1	1	
F-10	43	HZY3-90117-000	BOLT, 3/8-24UNF	1	1	
F-10	44	HZV5-90119-000	SCREW, PAN, 6X8	1	1	
F-10	45	HZV5-90127-003	SCREW, RIVET, 5X10	2	2	
F-10	46	HZX2-90129-000	BOLT, HEX., 12X130	6	6	
F-10	47	HZY1-90205-000	NUT, SELF-LOCK, 6MM	2	2	
F-10	48	HZW5-90302-003	NUT, FLANGE, 12MM	2	2	
F-10	49	HZV5-90304-013	NUT, SELF-LOCK(7/8-14UNF)	1	1	
F-10	50	HZW1-90304-013	NUT, SELF-LOCK(25X2.0)	1	1	
F-10	51	HZW4-90306-003	NUT, FLANGE, 10MM	1	1	
F-10	52	HZV5-90307-003	NUT, SELF-LOCK(3/8-24UNF)	2	2	
F-10	53	HZV5-90501-000	WASHER, WAVE, 40MM	1	1	
F-10	54	HZY3-90501-A00	WASHER, WAVE, 12MM	2	2	
F-10	55	HZV5-90502-000	WASHER, WAVE, 26MM	2	2	

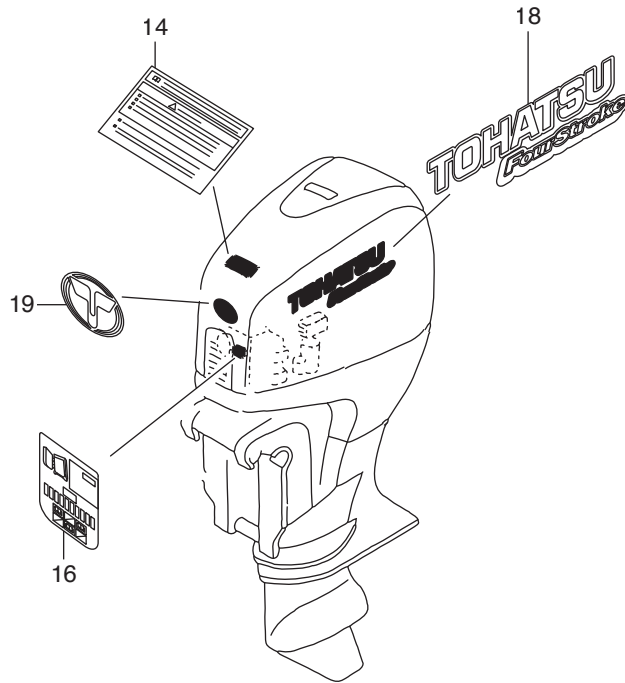
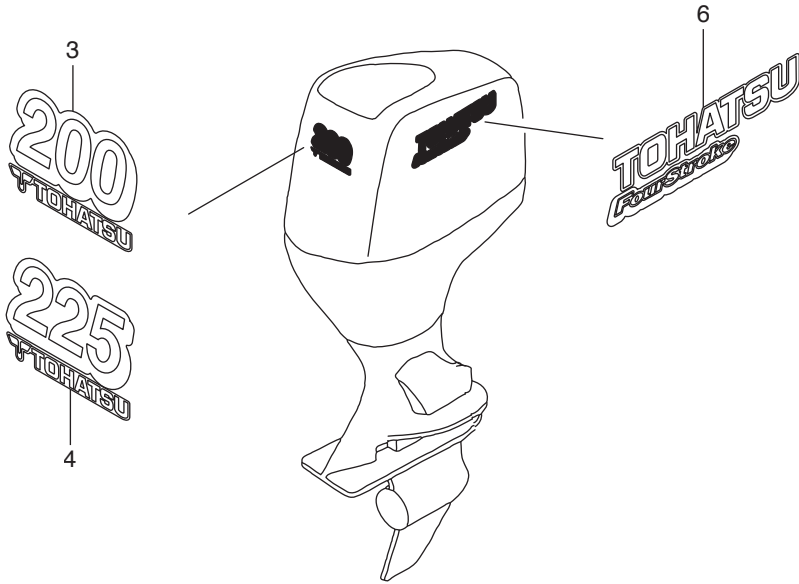


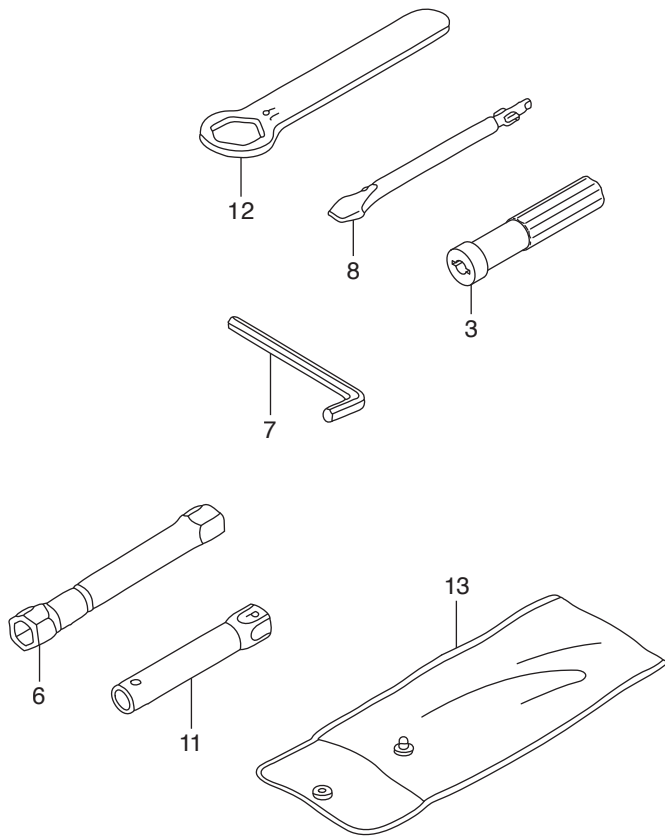
Ref.No.	Part No.	Description	Q' ty		Remarks	
			BFT200A	BFT225A		
F-10	56	HZV5-90504-000	WASHER, THRUST, 34MM	1	1	
F-10	57	HZY3-90504-A00	WASHER, UPPER MOUNTING STOPPER	2	2	
F-10	58	HZY3-90509-000	WASHER, 7/8INCH	1	1	
F-10	59	HZY3-90510-000	WASHER, 25MM	1	1	
F-10	60	HZV4-90512-000	WASHER, PLAIN, 6MM	2	2	
F-10	61	HZV4-90514-000	WASHER, 10MM	3	3	
F-10	62	H921-90511-000	WASHER, PLAIN, 10MM	1	1	
F-10	63	HZV5-90552-000	WASHER, PLAIN, 12MM	6	6	
F-10	64	HZV5-90559-000	WASHER, PLAIN, 12MM	14	14	
F-10	65	H921-90602-000	CLIP, TUBE(B8)	1	1	
F-10	66	HZV5-90651-000	CIRCLIP, EXTERNAL, 39MM	1	1	
F-10	67	H763-90681-A01	CLIP, WIRE HARNESS	1	1	
F-10	68	HZV7-90951-010	NIPPLE, GREASE	6	6	
F-10	69	HZV5-91256-003	OIL SEAL, 39.5X52X6(ARAI)	1	1	
F-10	70	HZV5-91352-000	O-RING, 15.54X2.26	1	1	
F-10	71	HZY3-91560-000	COLLAR, STEERING ROD	1	1	
F-10	72	HCO-94001-12490-0S	NUT, HEX., 12MM	12	12	
F-10	73	HCO-94305-30203	PIN, SPRING, 3X20	2	2	
F-10	74	HCO-95005-5020030	TUBE, 5X200	1	1	(HC-95005-50001-30M)
F-10	75	HCO-95005-5095030	TUBE, 5X950	1	1	(HC-95005-50001-30M)
F-10	76	HKM3-32161-003	BAND, WIRE	1	1	
F-10	77	HZV5-90119-000	SCREW, PAN, 6X8	2	2	

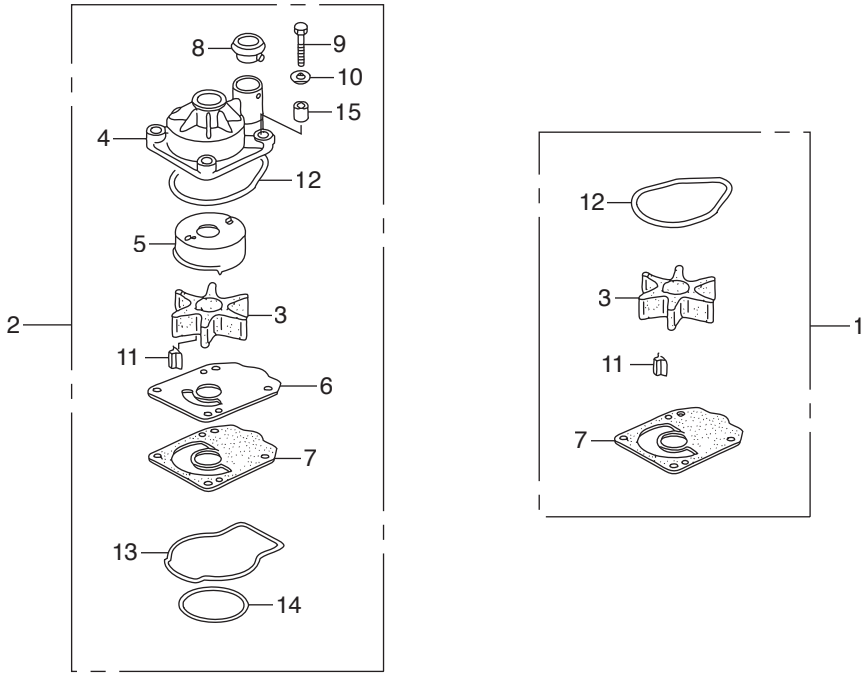


Ref.No.	Part No.	Description	Q' ty		Remarks	
			BFT200A	BFT225A		
F-11	1	HZY3-30280-003	BREAKER ASSY.	1	1	
F-11	2	HZY3-31106-003	BRUSH ASSY.	1	1	
F-11	3	HMG9-35701-950	BAND(BLACK 3.5X140)	1	1	
F-11	4	HZW1-36104-003	TUBE, SPIRAL(12X14.6)	1	1	
F-11	5	HZX2-36120-003	MOTOR ASSY., POWER TILT	1	1	
F-11	6	HZY3-36122-013	BRACKET ASSY.	1	1	
F-11	7	HZY3-36123-013	ARMATURE COMP.	1	1	
F-11	8	HZX2-36129-003	YOKE ASSY.	1	1	
F-11	9	HZV5-36136-821	SPRING, MOTOR	2	2	
F-11	10	HZW1-40107-700	GROMMET, UNDER CASE(C)	3	3	
F-11	11	HZY3-40219-013	WIRE, LEAD(1.5X116MM)	1	1	
F-11	12	HZV5-50214-003	BUSH, SWIVEL CASE	2	2	
F-11	13	HZX2-56000-013	TRIM-TILT ASSY., POWER	1	1	
F-11	14	HZY3-56100-013	PUMP ASSY.	1	1	
F-11	15	HZW1-56110-701	ROD COMP., PISTON(B)	2	2	
F-11	16	HZW1-56113-701	JOINT, DRIVE	1	1	
F-11	17	HZY9-56115-003	GUIDE COMP., ROD	2	2	
F-11	18	HZW1-56116-701	FILTER B	1	1	
F-11	19	HZV5-56117-821	RING, BACK UP	1	1	
F-11	20	HZV5-56118-820	BUSH, MOTOR CODE	1	1	
F-11	21	HZY3-56120-013	ROD COMP., PISTON	1	1	
F-11	22	HZW1-56130-702	PISTON COMP., FREE	1	1	
F-11	23	HZY3-56170-013	VALVE COMP., MANUAL	1	1	
F-11	24	HZW1-56180-701	VALVE COMP., RESERVOIR	1	1	
F-11	25	HZV5-56513-000	BUSH, LOWER CYLINDER	2	2	
F-11	26	HZY3-56532-000	PIN, UPPER CYLINDER	1	1	
F-11	27	HZW1-56851-703	TANK, OIL	1	1	
F-11	28	HZW1-56860-701	CAP COMP., OIL TANK	1	1	
F-11	29	HZW1-90113-702	BOLT, RECESSED	3	3	

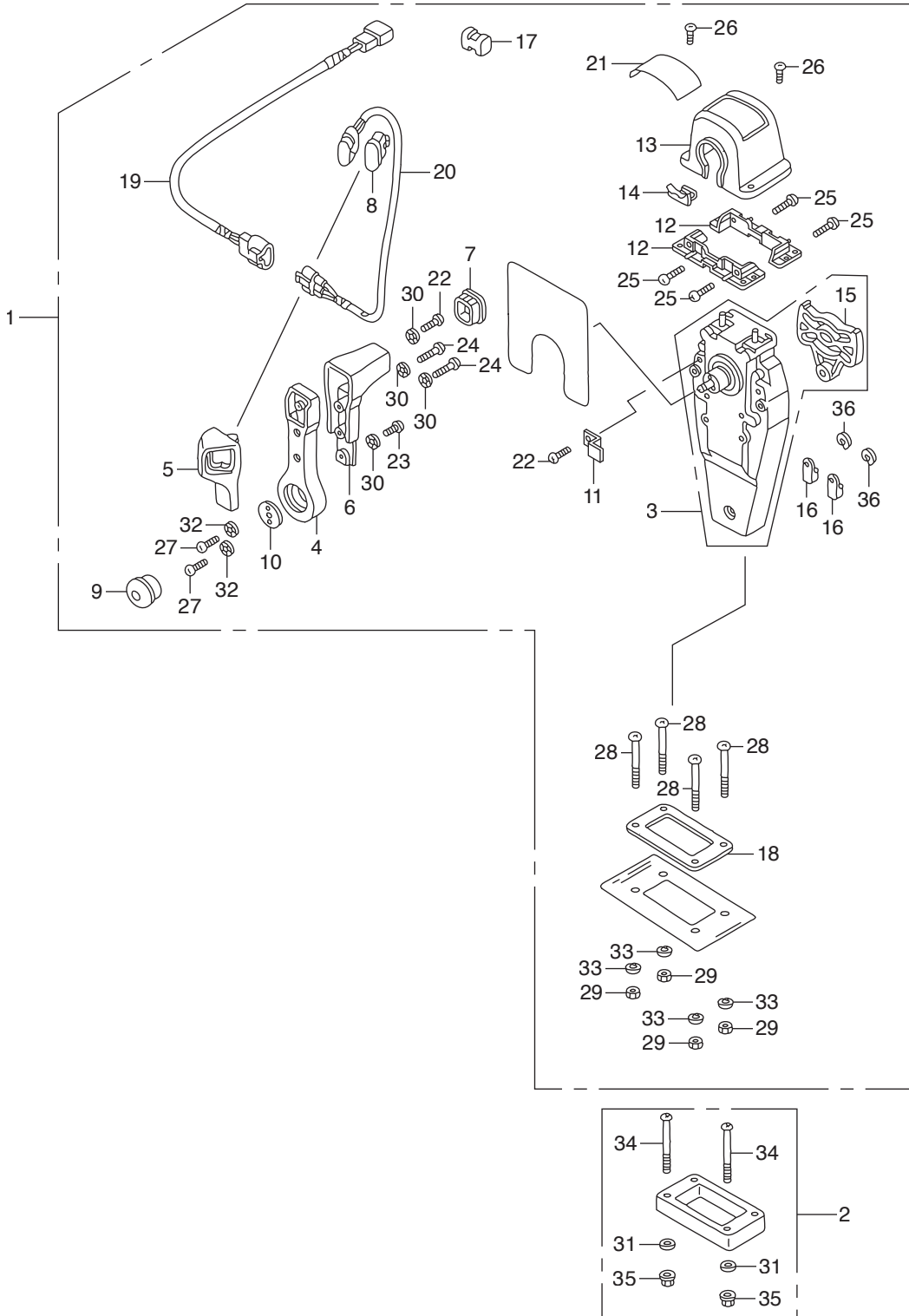




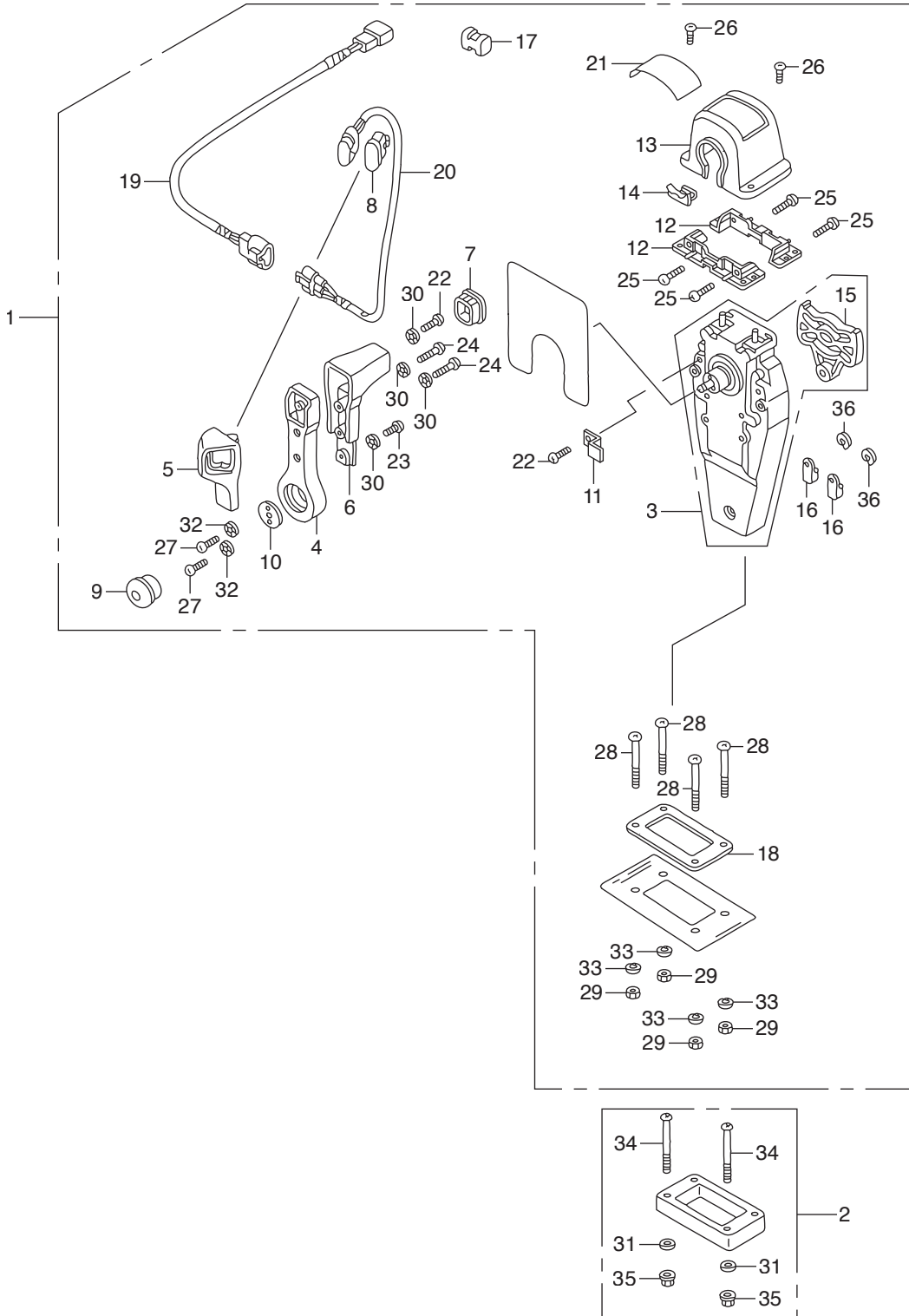


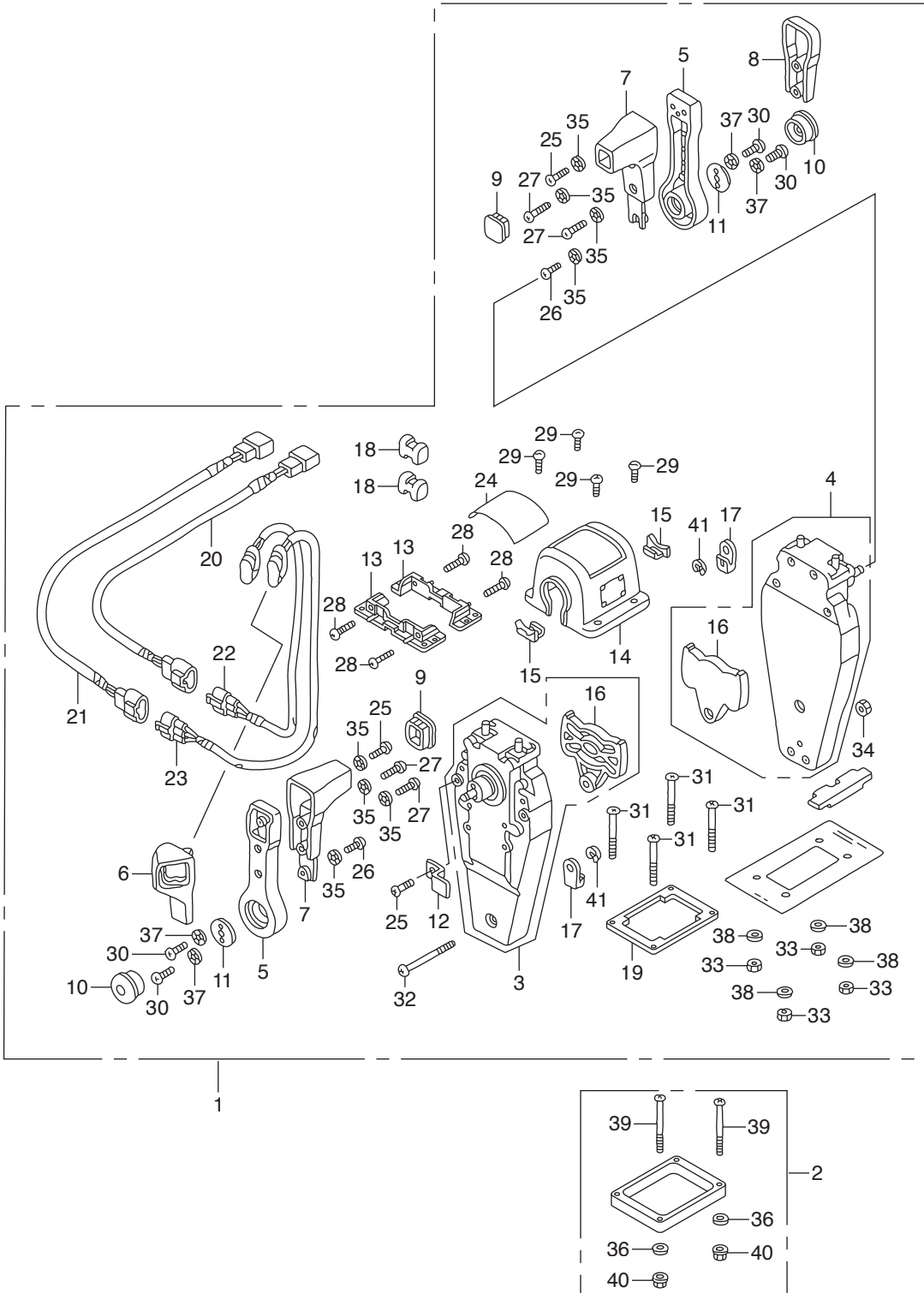


←FR.

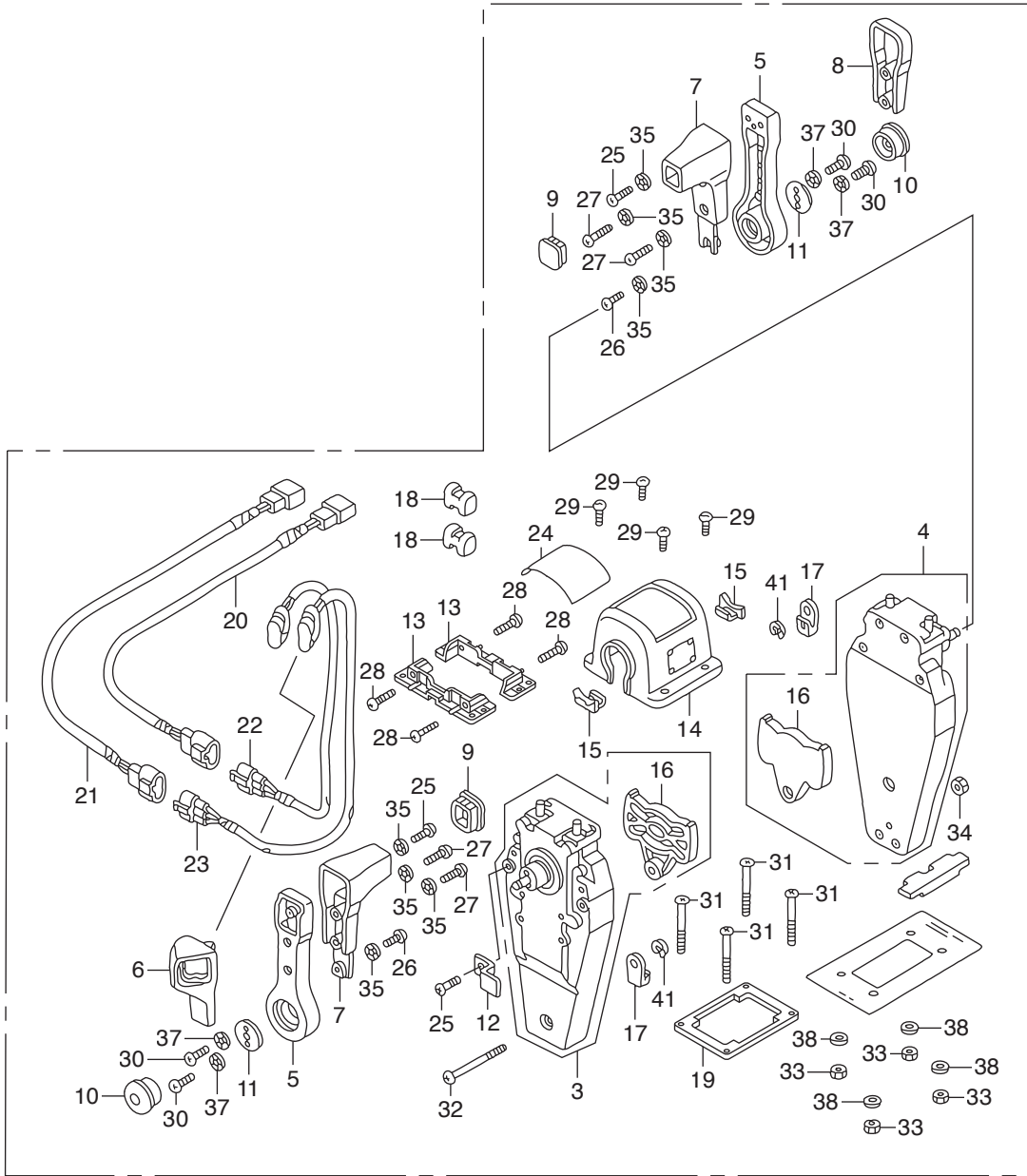


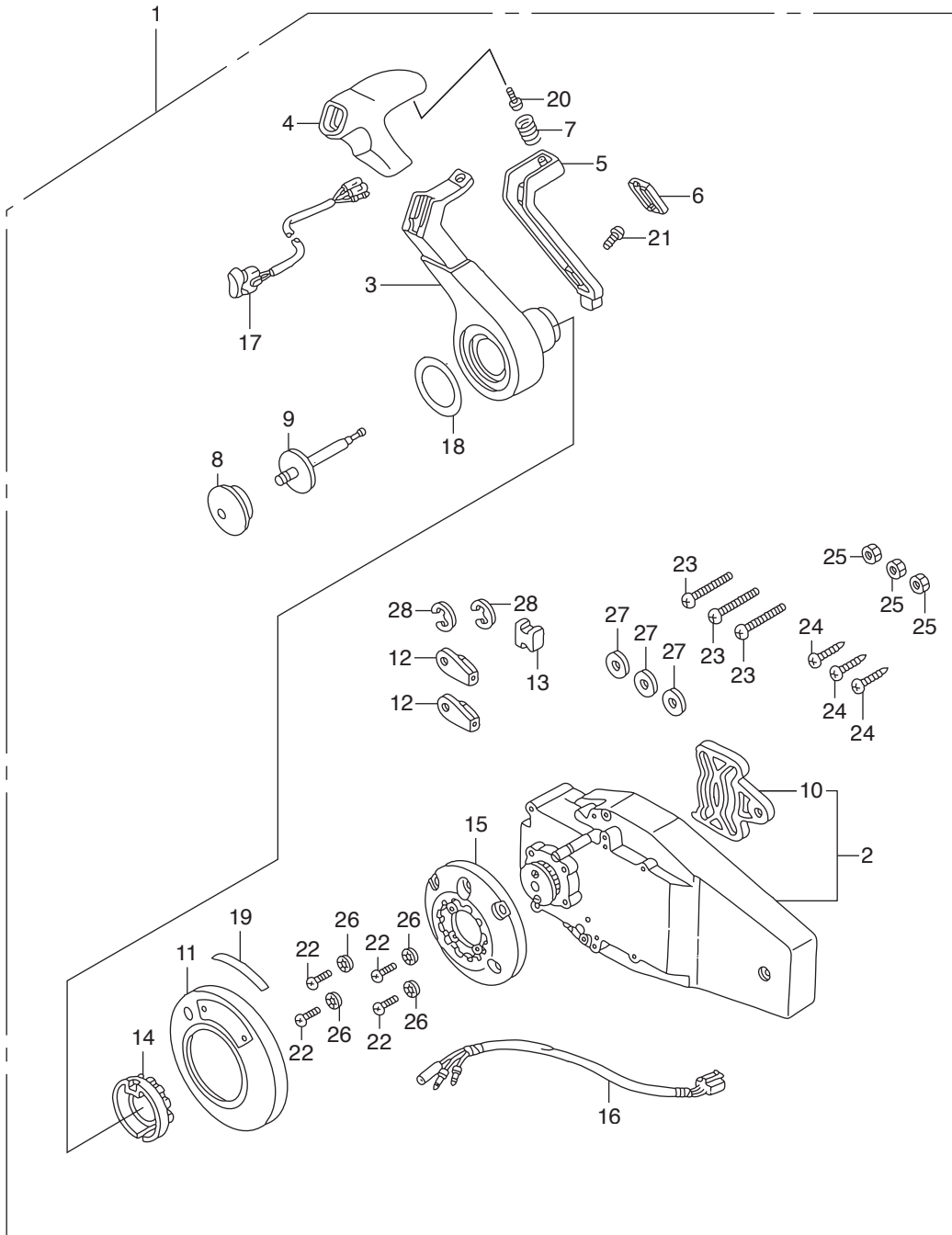
Ref.No.	Part No.	Description	Q'ty		Remarks	
			BFT200A	BFT225A		
FOP-3	1	HZZ3-06240-R30	BOX KIT, REMOTE CONTROL	1	1	(TOP MOUNT SINGLE)(R.)
FOP-3	2	HZW5-06241-U00	SPACER KIT, REMOTE CONTROL BOX	1	1	(TOP MOUNT SINGLE)
FOP-3	3	HZW5-24810-U01	HOUSING ASSY., L. INNER	1	1	(TOP MOUNT)
FOP-3	4	HZW5-24811-U01	HANDLE, REMOTE CONTROL	1	1	
FOP-3	5	HZW5-24812-U01	COVER, L. GRIP	1	1	
FOP-3	6	HZW5-24813-U01	GRIP, REMOTE CONTROL HANDLE	1	1	
FOP-3	7	HZW5-24814-U01	CAP, GRIP	1	1	
FOP-3	8	HZW5-24815-U01	CAP, SWITCH	1	1	
FOP-3	9	HZW5-24816-U01	BUTTON, THROTTLE	1	1	
FOP-3	10	HZW5-24817-U01	PLATE, HANDLE	1	1	
FOP-3	11	HZW5-24818-U01	PLATE, CABLE CLAMP	1	1	
FOP-3	12	HZW5-24819-U01	BRACKET, REMOTE CONTROL	2	2	HOUSING
FOP-3	13	HZZ3-24820-R11	HOUSING COMP., REMOTE CONTROL	1	1	BOX
FOP-3	14	HZW5-24825-U01	HOUSING, LEAD	1	1	
FOP-3	15	HZW5-24826-U01	PLATE, DWELL	1	1	
FOP-3	16	HZW5-24831-U01	TERMINAL, CABLE	2	2	
FOP-3	17	HZW5-24832-U01	SPACER, CABLE CLAMP	1	1	
FOP-3	18	HZW5-24834-U01	PACKING, SINGLE	1	1	
FOP-3	19	HZW7-32530-U00	SUB HARNESS ASSY., POWER	1	1	TRIM-TILT(A)
FOP-3	20	HZW5-35370-U02	SWITCH ASSY., POWER TRIM-TILT	1	1	(A)
FOP-3	21	HZZ3-87703-R81	MARK, REMOTE CONTROL(SINGLE)	1	1	
FOP-3	22	HZW5-90101-U00	SCREW, PAN, 5X16	2	2	
FOP-3	23	HZW5-90102-U00	SCREW, PAN, 5X10	1	1	
FOP-3	24	HZW5-90103-U01	SCREW, PAN, 5X20	2	2	
FOP-3	25	HZW5-90104-U00	SCREW, PAN, 5X18	4	4	
FOP-3	26	HZW5-90105-U01	SCREW, PAN, 4X10	2	2	
FOP-3	27	HZW5-90106-U00	SCREW, PAN, 6X18	2	2	
FOP-3	28	HZW5-90107-U00	SCREW, PAN, 5X40	4	4	
FOP-3	29	HZW5-90301-U00	NUT, HEX., 5MM	4	4	



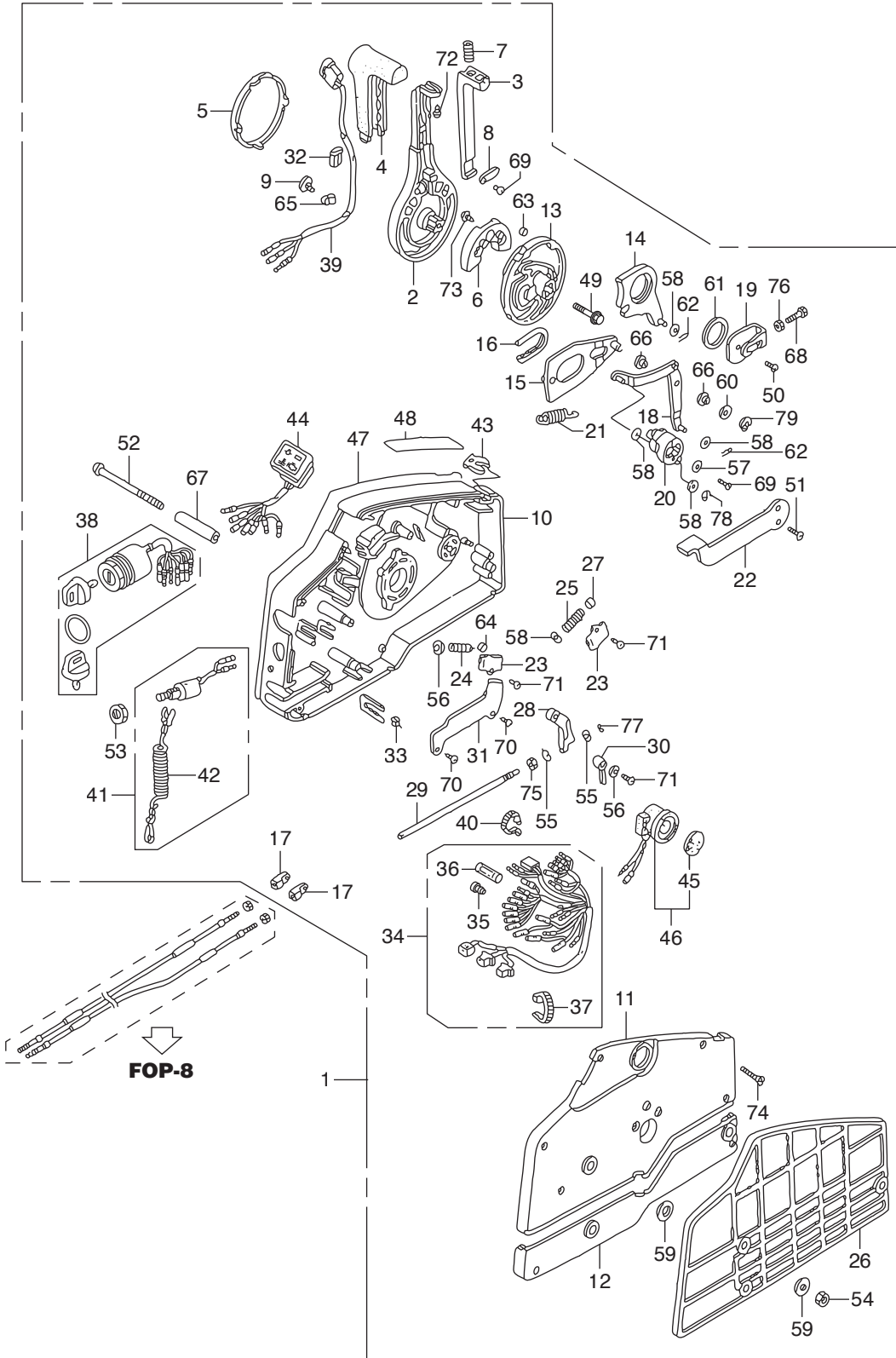


Ref.No.	Part No.	Description	Q' ty		Remarks	
			BFT200A	BFT225A		
FOP-3-2	1	HZZ3-06240-R60	BOX KIT, REMOTE CONTROL	1	1	(TOP MOUNT DUAL)(R.)
FOP-3-2	2	HZW5-06241-U10	SPACER KIT, REMOTE CONTROL BOX	1	1	(TOP MOUNT DUAL)
FOP-3-2	3	HZW5-24810-U01	HOUSING ASSY., L. INNER	1	1	(TOP MOUNT)
FOP-3-2	4	HZW5-24810-U11	HOUSING ASSY., R. INNER	1	1	(TOP MOUNT)
FOP-3-2	5	HZW5-24811-U01	HANDLE, REMOTE CONTROL	2	2	
FOP-3-2	6	HZW5-24812-U01	COVER, L. GRIP	1	1	
FOP-3-2	7	HZW5-24813-U01	GRIP, REMOTE CONTROL HANDLE	2	2	
FOP-3-2	8	HZW5-24813-U21	COVER, DUAL GRIP	1	1	
FOP-3-2	9	HZW5-24814-U01	CAP, GRIP	2	2	
FOP-3-2	10	HZW5-24816-U01	BUTTON, THROTTLE	2	2	
FOP-3-2	11	HZW5-24817-U01	PLATE, HANDLE	2	2	
FOP-3-2	12	HZW5-24818-U01	PLATE, CABLE CLAMP	1	1	
FOP-3-2	13	HZW5-24819-U01	BRACKET, REMOTE CONTROL	2	2	HOUSING
FOP-3-2	14	HZZ3-24820-R21	HOUSING COMP., REMOTE CONTROL	1	1	BOX(DUAL)
FOP-3-2	15	HZW5-24825-U01	HOUSING, LEAD	2	2	
FOP-3-2	16	HZW5-24826-U01	PLATE, DWELL	2	2	
FOP-3-2	17	HZW5-24831-U01	TERMINAL, CABLE	4	4	
FOP-3-2	18	HZW5-24832-U01	SPACER, CABLE CLAMP	2	2	
FOP-3-2	19	HZW5-24834-U21	PACKING, DUAL	1	1	
FOP-3-2	20	HZW7-32530-U00	SUB HARNESS ASSY., POWER	1	1	TRIM-TILT(A)
FOP-3-2	21	HZW7-32530-U10	SUB HARNESS ASSY., POWER	1	1	TRIM-TILT(B)
FOP-3-2	22	HZW5-35370-U02	SWITCH ASSY., POWER TRIM-TILT	1	1	(A)
FOP-3-2	23	HZW5-35370-U12	SWITCH ASSY., POWER TRIM-TILT	1	1	(B)
FOP-3-2	24	HZZ3-87703-R01	MARK, REMOTE CONTROL(DUAL)	1	1	
FOP-3-2	25	HZW5-90101-U00	SCREW, PAN, 5X16	3	3	
FOP-3-2	26	HZW5-90102-U00	SCREW, PAN, 5X10	2	2	
FOP-3-2	27	HZW5-90103-U01	SCREW, PAN, 5X20	4	4	
FOP-3-2	28	HZW5-90104-U00	SCREW, PAN, 5X18	4	4	
FOP-3-2	29	HZW5-90105-U01	SCREW, PAN, 4X10	4	4	

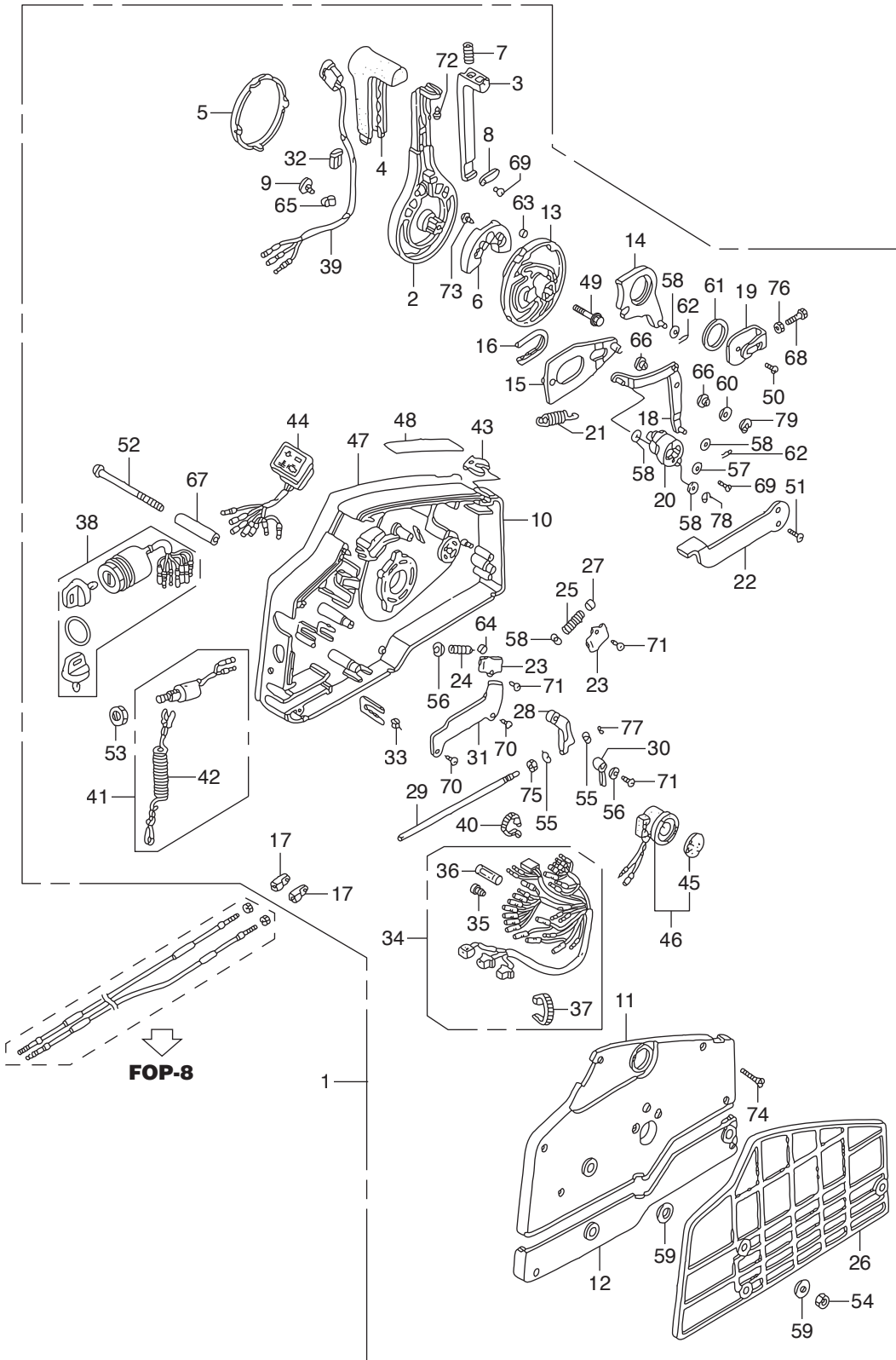




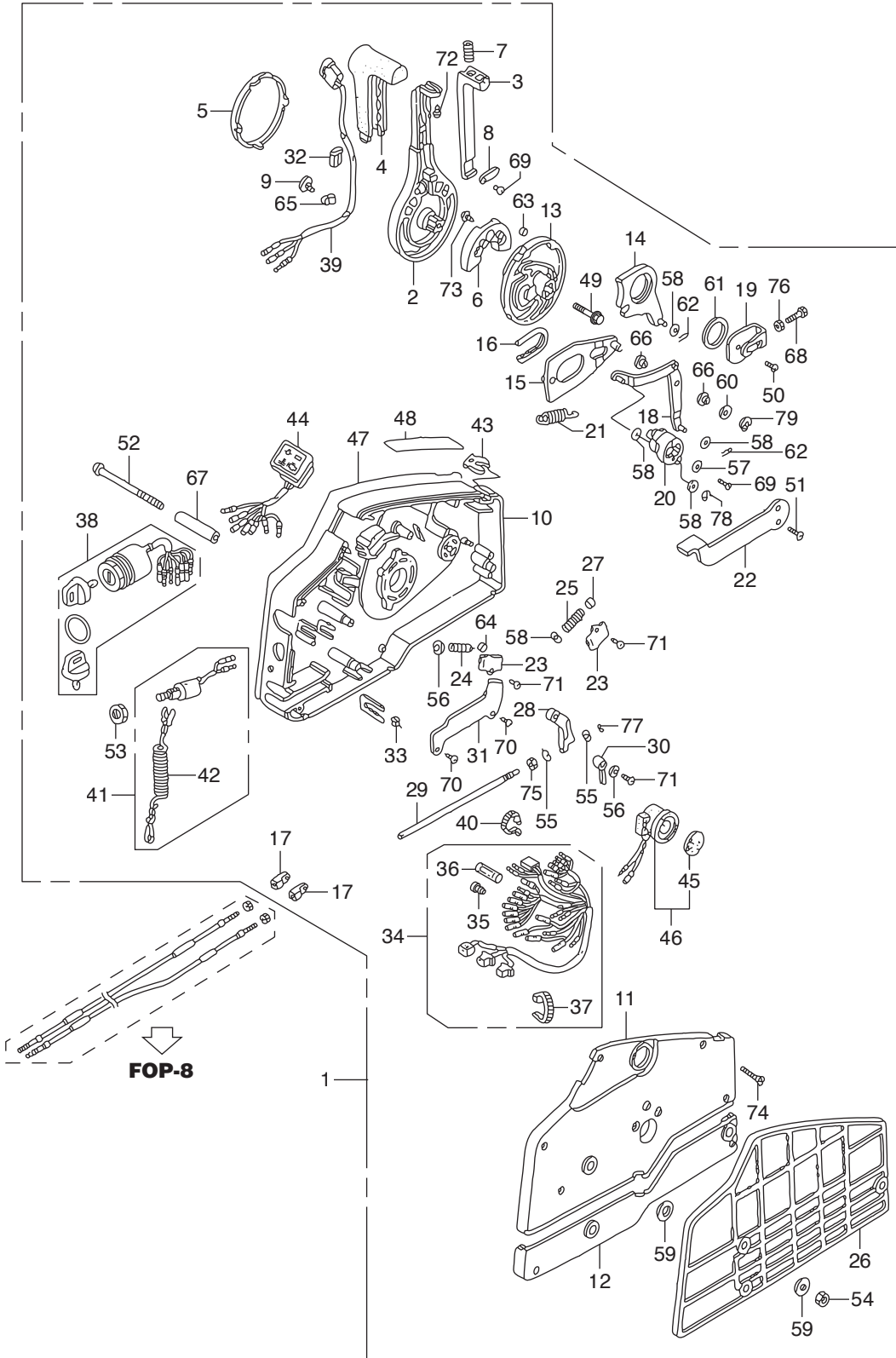
Ref.No.	Part No.	Description	Q' ty		Remarks	
			BFT200A	BFT225A		
FOP-3-4	1	HZZ3-06240-R40	BOX KIT, REMOTE CONTROL	1	1	(FLUSH MOUNT)(R.)
FOP-3-4	2	HZW7-24810-U01	HOUSING ASSY., R. INNER	1	1	(FLUSH MOUNT)
FOP-3-4	3	HZW7-24811-U01	HANDLE, REMOTE CONTROL	1	1	
FOP-3-4	4	HZW7-24812-U01	COVER, GRIP	1	1	
FOP-3-4	5	HZW7-24813-U01	ARM, NEUTRAL LOCK	1	1	
FOP-3-4	6	HZW7-24814-U01	COVER, LOCK ARM	1	1	
FOP-3-4	7	HZW7-24815-U01	SPRING, NEUTRAL LOCK ARM	1	1	
FOP-3-4	8	HZW5-24816-U01	BUTTON, THROTTLE	1	1	
FOP-3-4	9	HZW7-24817-U01	SHAFT, THROTTLE BUTTON	1	1	
FOP-3-4	10	HZW5-24826-U01	PLATE, DWELL	1	1	
FOP-3-4	11	HZZ3-24830-R41	COVER ASSY.	1	1	
FOP-3-4	12	HZW5-24831-U01	TERMINAL, CABLE	2	2	
FOP-3-4	13	HZW5-24832-U01	SPACER, CABLE CLAMP	1	1	
FOP-3-4	14	HZW7-24832-U01	HOLDER, NEUTRAL LOCK	1	1	
FOP-3-4	15	HZW7-24833-U01	BASE	1	1	
FOP-3-4	16	HZW7-32530-U20	SUB HARNESS ASSY., POWER	1	1	TRIM-TILT(C)
FOP-3-4	17	HZW7-35370-U02	SWITCH ASSY., POWER TRIM-TILT	1	1	(C)
FOP-3-4	18	HZZ3-87701-R40	MARK, HANDLE FLUSH MOUNT	1	1	
FOP-3-4	19	HZW7-87703-U00	MARK, FLUSH MOUNT	1	1	
FOP-3-4	20	HZW5-90101-U00	SCREW, PAN, 5X16	1	1	
FOP-3-4	21	HZW7-90101-U01	SCREW, TRUSS, 4X12	1	1	
FOP-3-4	22	HZW7-90102-U01	SCREW, PAN, 5X30	4	4	
FOP-3-4	23	HZW7-90103-U01	SCREW, PAN, 6X35	3	3	
FOP-3-4	24	HZW7-90104-U01	SCREW, TAPPING, 6X30	3	3	
FOP-3-4	25	HZW7-90301-U01	NUT, HEX., 6MM	3	3	
FOP-3-4	26	HZW5-90501-U00	WASHER, LOCK, 5MM	4	4	
FOP-3-4	27	HZW7-90502-U00	WASHER, PLAIN, 6MM	3	3	
FOP-3-4	28	HCO-94540-06029	E-RING, 6MM	2	2	



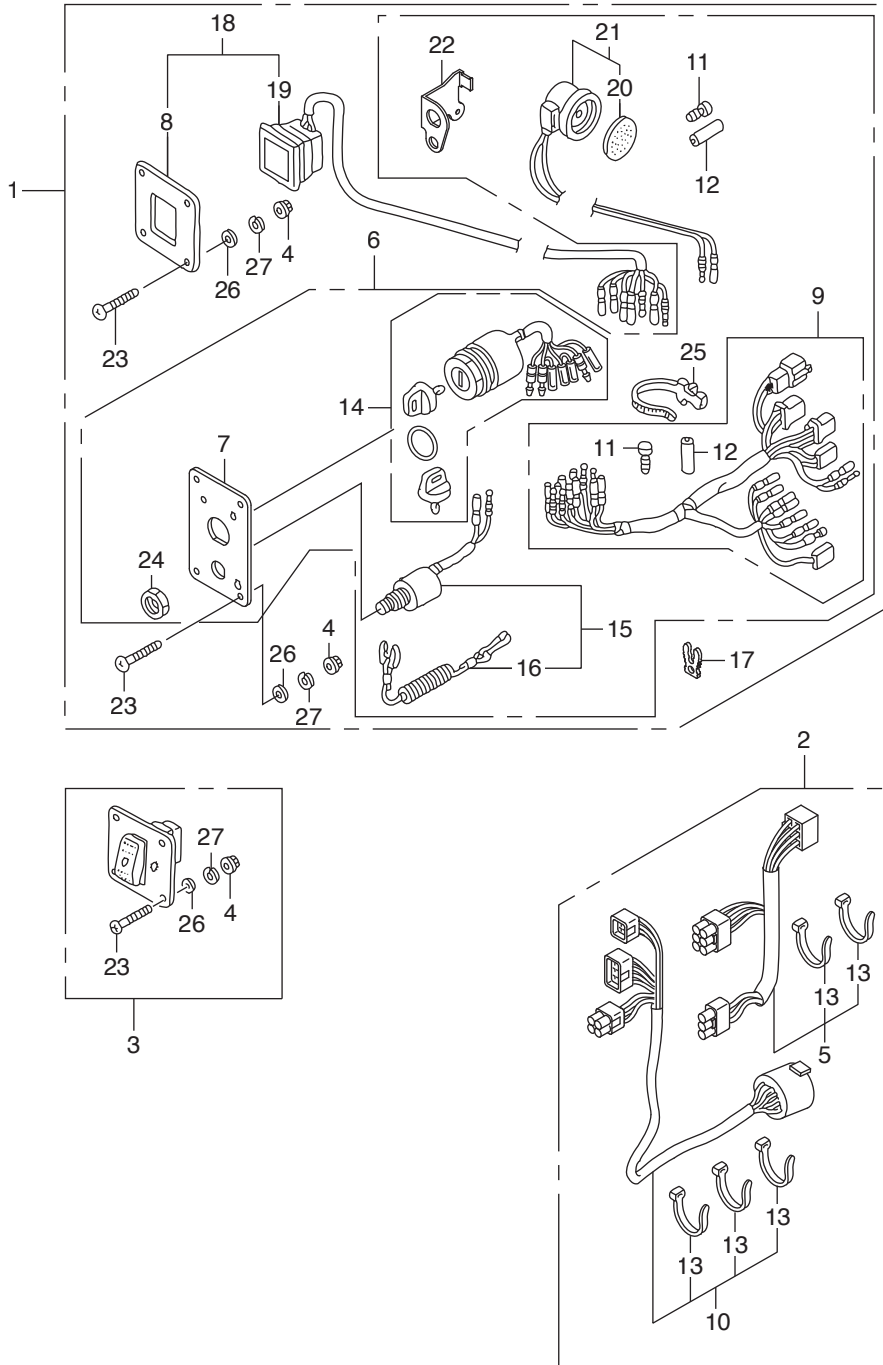
Ref.No.	Part No.	Description	Q' ty		Remarks	
			BFT200A	BFT225A		
FOP-3-6	1	HZZ3-24800-R00	BOX ASSY., REMOTE CONTROL(EU)	1	1	
FOP-3-6	2	HZV5-24811-010	HANDLE, REMOTE CONTROL	1	1	
FOP-3-6	3	HZV5-24812-000	LEVER, HANDLE LOCK	1	1	
FOP-3-6	4	HZV5-24813-000	GRIP, REMOTE CONTROL HANDLE	1	1	
FOP-3-6	5	HZV5-24814-010	CAP, HANDLE	1	1	
FOP-3-6	6	HZV5-24815-010	BLOCK, NEUTRAL LOCK	1	1	
FOP-3-6	7	HZV5-24816-000	SPRING, REMOTE CONTROL HANDLE	1	1	
FOP-3-6	8	HZV5-24817-000	PLATE, LEVER SETTING	1	1	
FOP-3-6	9	HZV5-24818-003	CLAMP, HARNESS	1	1	
FOP-3-6	10	HZV5-24820-010	HOUSING COMP., REMOTE CONTROL	1	1	BOX(A)
FOP-3-6	11	HZV5-24830-010	HOUSING COMP., REMOTE CONTROL	1	1	BOX(B)
FOP-3-6	12	HZV5-24836-000	HOUSING, REMOTE CONTROL BOX(C)	1	1	
FOP-3-6	13	HZV5-24841-000	WHEEL, CONTROL	1	1	
FOP-3-6	14	HZV5-24845-000	ARM COMP., SHIFT LINK	1	1	
FOP-3-6	15	HZV5-24850-000	PLATE COMP., SLIDING	1	1	
FOP-3-6	16	HZV5-24854-000	COLLAR, SLIDING PLATE	1	1	
FOP-3-6	17	HZV5-24855-000	PIVOT, SHIFT	2	2	
FOP-3-6	18	HZV5-24860-000	ARM COMP., LINK JOINT	1	1	
FOP-3-6	19	HZV5-24865-000	BRACKET, LINK JOINT	1	1	
FOP-3-6	20	HZV5-24875-000	WHEEL, ACCELERATOR	1	1	
FOP-3-6	21	HZV5-24876-000	SPRING, ACCELERATOR WHEEL	1	1	
FOP-3-6	22	HZV5-24878-000	LEVER, IDLE	1	1	
FOP-3-6	23	HZV5-24881-000	PLATE, SPRING SETTING	2	2	
FOP-3-6	24	HZV5-24883-000	SPRING, SHIFT CLICK	1	1	
FOP-3-6	25	HZV5-24884-000	SPRING, CHOKE RETURN	1	1	
FOP-3-6	26	HZV5-24885-000	SPACER, REMOTE CONTROL BOX	1	1	
FOP-3-6	27	HZV5-24887-000	SPACER, CLICK SPRING	1	1	
FOP-3-6	28	HZV5-24891-000	BLOCK, THROTTLE FRICTION	1	1	
FOP-3-6	29	HZV5-24892-000	BOLT, FRICTION	1	1	

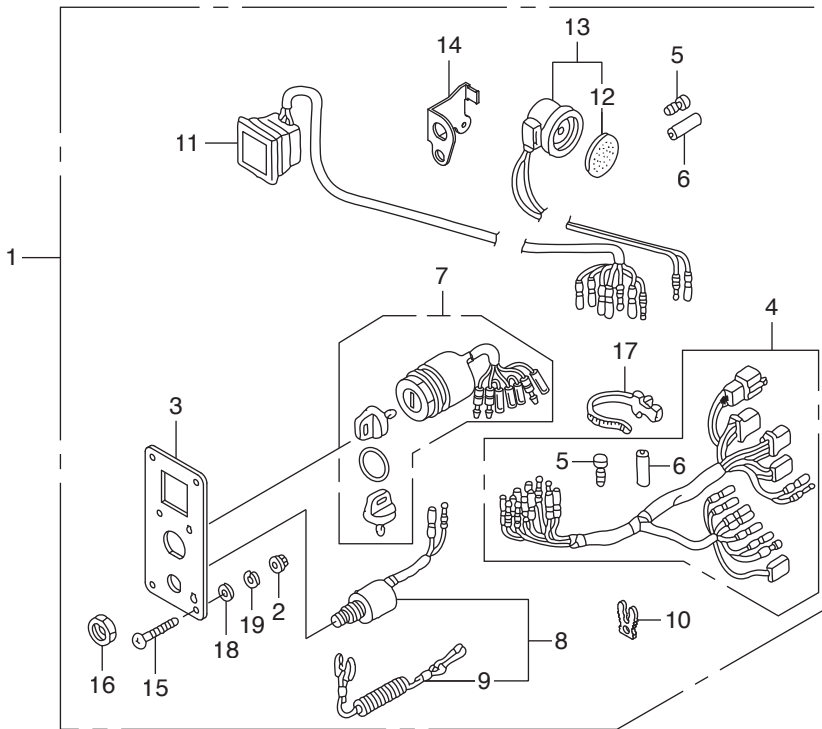


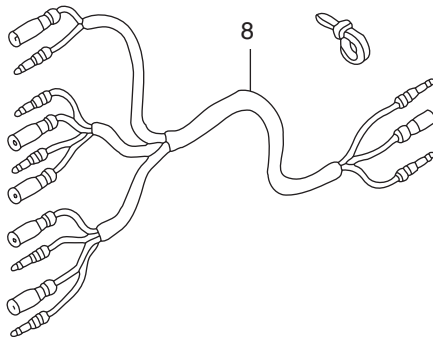
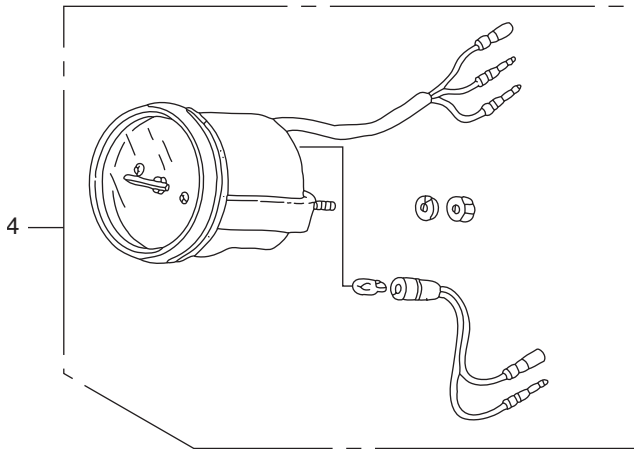
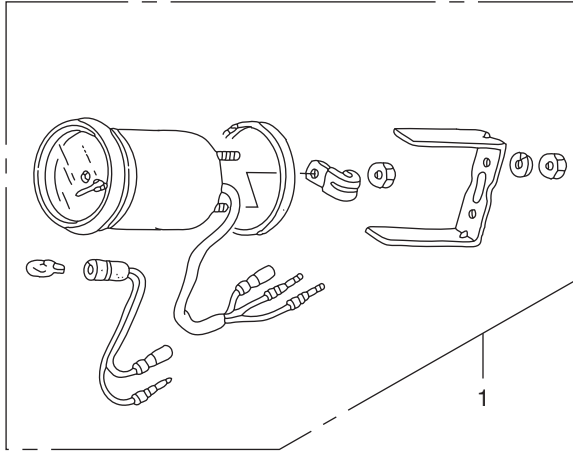
Ref.No.	Part No.	Description	Q' ty		Remarks	
			BFT200A	BFT225A		
FOP-3-6	30	HZV5-24894-000	SPACER, NEUTRAL SWITCH	1	1	
FOP-3-6	31	HZV5-24895-000	CLAMP, POWER TILT CORD	1	1	
FOP-3-6	32	HZV5-24897-000	PIPE, HARNESS GUIDE	1	1	
FOP-3-6	33	HZV5-24898-000	SPACER, CABLE CLAMP	1	1	
FOP-3-6	34	HZZ5-32530-000	CABLE ASSY., REMOTE CONTROL(B)	1	1	
FOP-3-6	35	HZV5-32823-003	PLUG, INNER CONNECTOR	7	7	
FOP-3-6	36	HZV5-32824-003	PLUG, OUTER CONNECTOR	1	1	
FOP-3-6	37	H952-32901-770	TIE, CABLE(NATURAL)(2.4X92)	1	1	
FOP-3-6	38	HZZ3-35100-R11	SWITCH ASSY., COMBINATION	1	1	
FOP-3-6	39	HZV5-35370-823	SWITCH ASSY., POWER TRIM-TILT	1	1	
FOP-3-6	40	HMG9-35701-950	BAND(BLACK 3.5X140)	1	1	
FOP-3-6	41	HZV5-36180-033	SWITCH ASSY., EMERGENCY STOP	1	1	
FOP-3-6	42	HZV4-36182-651	CORD COMP., EMERGENCY	1	1	
FOP-3-6	43	HZV4-36187-652	CLIP, EMERGENCY LOCK	1	1	
FOP-3-6	44	HZZ5-37210-013	LAMP ASSY., INDICATION	1	1	
FOP-3-6	45	H341-38403-672	PLATE, WINKER BUZZER	1	1	
FOP-3-6	46	HZV5-38410-003	BUZZER COMP., WARNING	1	1	
FOP-3-6	47	HZZ3-87701-R00	PLATE, REMOTE CONTROL	1	1	
FOP-3-6	48	HZW9-87702-800	MARK, FAST IDLE	1	1	
FOP-3-6	49	HZW9-90008-000	BOLT, FLANGE, 8X35	1	1	
FOP-3-6	50	HMM4-90105-000	SCREW, PAN, 6X10	1	1	
FOP-3-6	51	HZW4-90108-000	SCREW, FLAT, 5X12	2	2	
FOP-3-6	52	HZV5-90125-000	SCREW, 6X95	3	3	
FOP-3-6	53	H921-90302-000	NUT, HEX., 16MM	1	1	
FOP-3-6	54	HZV4-90304-000	NUT, HEX., 6MM	3	3	
FOP-3-6	55	HZW4-90401-000	WASHER, PLAIN, 4MM	2	2	
FOP-3-6	56	HZW4-90402-000	WASHER, PLAIN, 5MM	2	2	
FOP-3-6	57	HZV4-90502-000	WASHER, PLAIN, 5MM	1	1	
FOP-3-6	58	H921-90504-010	WASHER, PLAIN, 6MM	5	5	

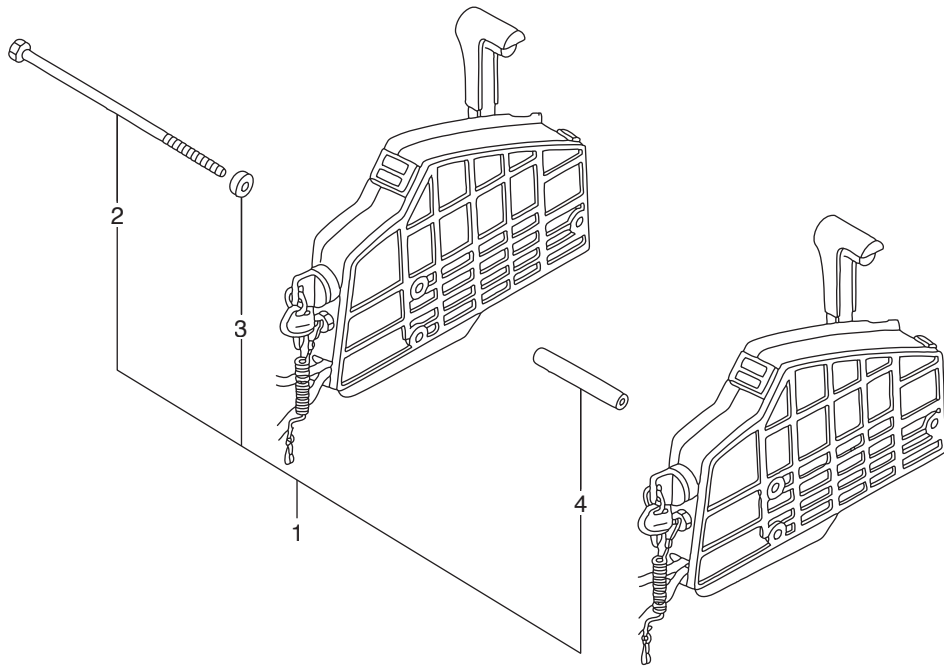


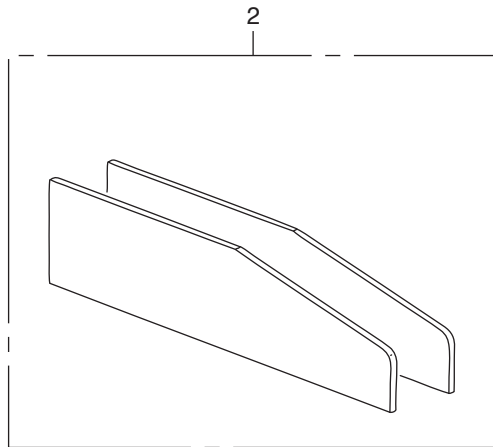
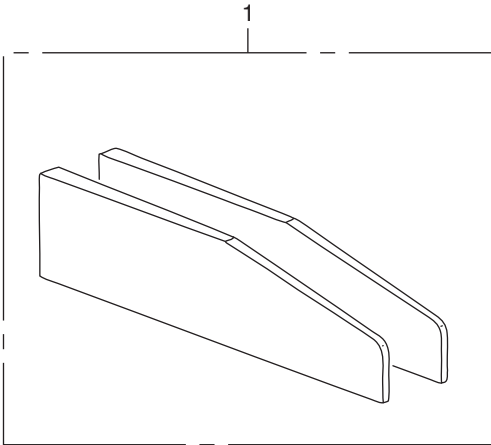
Ref.No.	Part No.	Description	Q' ty		Remarks	
			BFT200A	BFT225A		
FOP-4	1	HZZ3-06323-R20	PANEL KIT, SWITCH(B)(4-LED)	1	1	
FOP-4	2	HZZ5-06325-600	CABLE SET, PANEL INDICATOR	1	1	(20FT)
FOP-4		HZZ5-06325-700	CABLE SET, PANEL INDICATOR	1	1	(25FT)
FOP-4		HZZ5-06325-800	CABLE SET, PANEL INDICATOR	1	1	(30FT)
FOP-4	3	HZW5-06352-U01	SWITCH KIT, LIGHT	1	1	
FOP-4	4	HMT8-18334-770	NUT, FLANGE, 5MM	12	12	
FOP-4	5	HZZ5-32185-600	CORD ASSY., INDICATOR(20FT)	1	1	
FOP-4		HZZ5-32185-700	CORD ASSY., INDICATOR(25FT)	1	1	
FOP-4		HZZ5-32185-800	CORD ASSY., INDICATOR(30FT)	1	1	
FOP-4	6	HZZ3-32341-R31	PANEL ASSY., SWITCH	1	1	
FOP-4	7	HZZ3-32346-R21	PANEL, CONTROL	1	1	
FOP-4	8	HZZ3-32347-R01	PANEL, CONTROL	1	1	
FOP-4	9	HZZ5-32545-000	HARNESS ASSY., SWITCH PANEL	1	1	
FOP-4	10	HZZ5-32580-600	CABLE ASSY., SWITCH PANEL	1	1	(20FT)
FOP-4		HZZ5-32580-700	CABLE ASSY., SWITCH PANEL	1	1	(25FT)
FOP-4		HZZ5-32580-800	CABLE ASSY., SWITCH PANEL	1	1	(30FT)
FOP-4	11	HZV5-32823-003	PLUG, INNER CONNECTOR	8	8	
FOP-4	12	HZV5-32824-003	PLUG, OUTER CONNECTOR	3	3	
FOP-4	13	H952-32901-770	TIE, CABLE(NATURAL)(2.4X92)	5	5	
FOP-4	14	HZZ3-35100-R11	SWITCH ASSY., COMBINATION	1	1	
FOP-4	15	HZV5-36180-033	SWITCH ASSY., EMERGENCY STOP	1	1	
FOP-4	16	HZV4-36182-651	CORD COMP., EMERGENCY	1	1	
FOP-4	17	HZV4-36187-652	CLIP, EMERGENCY LOCK	1	1	
FOP-4	18	HZZ3-37205-R01	PANEL ASSY., INDICATOR(4-LED)	1	1	
FOP-4	19	HZZ5-37210-762	LAMP ASSY., INDICATION(4-LED)	1	1	
FOP-4	20	H341-38403-672	PLATE, WINKER BUZZER	1	1	
FOP-4	21	HZV5-38410-003	BUZZER COMP., WARNING	1	1	
FOP-4	22	HZZ5-38414-003	BRACKET, BUZZER	1	1	
FOP-4	23	HZW5-90109-000	SCREW, PAN, 5X40	12	12	

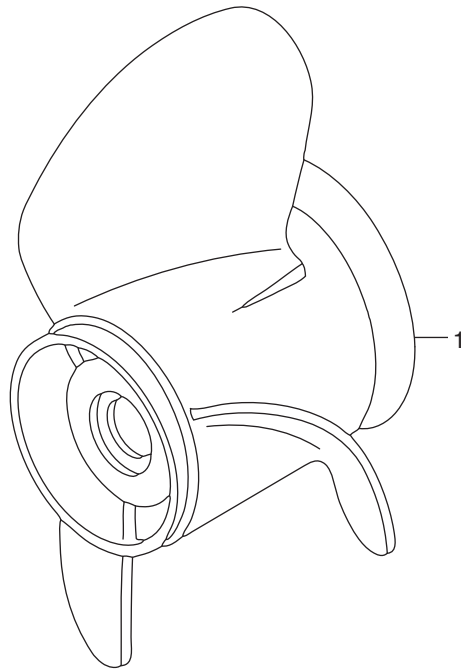


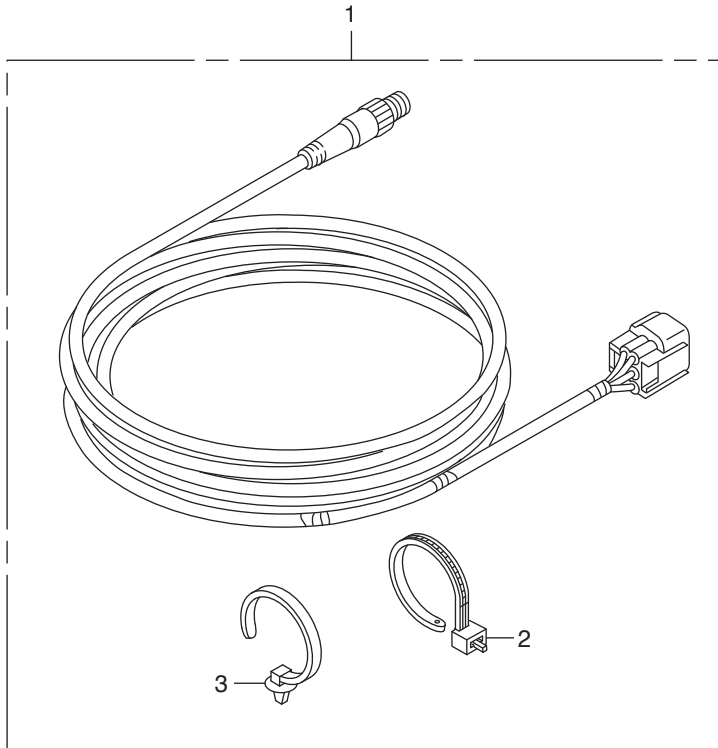












INDEX

<A>		
ARM ASSY., FR. INTAKE ROCKER	E-9-10-4	
ARM ASSY., INTAKE ROCKER	E-9-10-5	
ARM COMP. A, EX. ROCKER	E-9-10-6	
ARM COMP. B, EX. ROCKER	E-9-10-7	
ARM COMP., LINK JOINT	FOP-3-6-18	
ARM COMP., SHIFT LINK	FOP-3-6-14	
ARM, FUEL PUMP ROCKER	E-9-10-3	
ARM, NEUTRAL LOCK	FOP-3-4-5	
ARM, SHIFT	F-2-9	
ARM, THROTTLE	F-2-3	
ARMATURE COMP.	F-11-7	
		
BAG, TOOL, 200MM.	F-13-13	
BALL, STEEL	E-21-6	
BALL, STEEL, #12(3/8)	F-5-31	
BALL, STEEL, #12(3/8)	F-5-1-32	
BALL, STEEL, #7(7/32)	F-5-30	
BALL, STEEL, #7(7/32)	F-5-1-31	
BAND	E-18-56	
BAND(BLACK 3.5X140)	F-11-3	
BAND(BLACK 3.5X140)	FOP-3-6-40	
BAND, AIR FLOW	E-15-9	
BAND, TUBE CLIP, 12.5MM	F-8-20-5	
BAND, UNDER CASE GROMMET	F-8-10-4	
BAND, WIRE	F-10-6	
BAND, WIRE	F-10-76	
BAND, WIRE HARNESS	F-7-11-20	
BAND, WIRE HARNESS(NATURAL)	FOP-4-25	
BAND, WIRE HARNESS(NATURAL)	FOP-4-1-17	
BASE	FOP-3-4-15	
BASE COMP., TIMING BELT	E-13-10	
BASE, L. INJECTOR	E-14-13	
BASE, R. INJECTOR	E-14-11	
BEARING A, CONNECTING ROD	E-7-7	
BEARING A, MAIN LOWER(BLACK)	E-7-11	
BEARING A, MAIN UPPER(BLACK)	E-7-9	
BEARING B, CONNECTING ROD	E-7-	
BEARING B, MAIN LOWER(BROWN)	E-7-	
BEARING B, MAIN UPPER(BROWN)	E-7-	
BEARING C, CONNECTING ROD	E-7-	
BEARING C, MAIN LOWER(GREEN)	E-7-	
BEARING C, MAIN UPPER(GREEN)	E-7-	
BEARING D, CONNECTING ROD	E-7-	
BEARING D, MAIN LOWER(YELLOW)	E-7-	
BEARING D, MAIN UPPER(YELLOW)	E-7-	
BEARING E, CONNECTING ROD	E-7-	
BEARING E, MAIN LOWER(PINK)	E-7-	
BEARING E, MAIN UPPER(PINK)	E-7-	
BEARING F, MAIN LOWER(RED)	E-7-	
BEARING F, MAIN UPPER(RED)	E-7-	
BEARING, ANGULAR, 50X90X30.2	F-5-24	
BEARING, ANGULAR, 50X90X30.2	F-5-1-24	
BEARING, FR. GENERATOR	E-19-3	
BEARING, NEEDLE, 20X28X13	E-6-10-43	
BEARING, NEEDLE, 28X39X30	F-5-1-25	
BEARING, NEEDLE, 32X42X30	F-5-25	
BEARING, NEEDLE, 32X42X30	F-5-1-26	
BEARING, NEEDLE, 32X46X37	F-4-24	
BEARING, RR. GENERATOR	E-19-2	
BEARING, TAPER ROLLER	F-4-25	
BEARING, TAPER, 50X90X21.5	F-5-23	
BEARING, TAPER, 50X90X21.5	F-5-1-23	
BEARING, THRUST(F)	F-5-22	
BEARING, THRUST(F)	F-5-1-22	
BELT, A.C. GENERATOR	E-13-16	
BELT, TIMING(197YU26 B-333)	E-13-6	
BLOCK ASSY., CYLINDER	E-3-3	
BLOCK, NEUTRAL LOCK	FOP-3-6-6	
BLOCK, THROTTLE FRICTION	FOP-3-6-28	
BODY	E-18-3	
BOLT A, THROUGH	E-21-14	
BOLT KIT, SIDE REMOTE CONTROL	FOP-7-1	
BOLT, 1/4-28UNF	F-10-36	
BOLT, 3/8-24UNF	F-10-43	
BOLT, CONNECTING ROD	E-7-5	
BOLT, COVER LOCK	F-8-11	
BOLT, DRAIN PLUG	E-6-11	
BOLT, DRAIN PLUG	F-3-14	
BOLT, FLANGE, 10X110	E-21-20	
BOLT, FLANGE, 10X120(SATO)	E-6-10-25	
BOLT, FLANGE, 10X40	E-13-24	
BOLT, FLANGE, 10X43	E-13-25	
BOLT, FLANGE, 10X55	E-3-10-10	
BOLT, FLANGE, 10X70	E-6-10-52	
BOLT, FLANGE, 10X90	E-19-21	
BOLT, FLANGE, 10X90	E-21-19	
BOLT, FLANGE, 12MM	E-5-14	
BOLT, FLANGE, 12X120	E-6-10-53	
BOLT, FLANGE, 12X95	E-3-26	
BOLT, FLANGE, 5X10	E-14-10-17	
BOLT, FLANGE, 5X14	E-13-10-9	
BOLT, FLANGE, 6X10	E-14-22	
BOLT, FLANGE, 6X10	E-18-2-26	
BOLT, FLANGE, 6X10	E-20-11-8	
BOLT, FLANGE, 6X10	F-7-11-15	
BOLT, FLANGE, 6X11	F-2-24	
BOLT, FLANGE, 6X12	E-18-50	
BOLT, FLANGE, 6X12	E-18-2-27	
BOLT, FLANGE, 6X12	F-2-25	
BOLT, FLANGE, 6X12	F-7-3	
BOLT, FLANGE, 6X12	F-7-11-14	
BOLT, FLANGE, 6X12	F-8-10-29	
BOLT, FLANGE, 6X12	F-10-37	
BOLT, FLANGE, 6X14	E-3-33	
BOLT, FLANGE, 6X14	E-5-22	
BOLT, FLANGE, 6X14	E-14-21	
BOLT, FLANGE, 6X14	E-18-49	
BOLT, FLANGE, 6X14	F-8-10-27	
BOLT, FLANGE, 6X14(CT200)	E-1-20	
BOLT, FLANGE, 6X14(CT200)	E-13-19	
BOLT, FLANGE, 6X14(CT200)	F-2-22	
BOLT, FLANGE, 6X16	E-3-31	
BOLT, FLANGE, 6X16	E-18-48	
BOLT, FLANGE, 6X16	E-19-23	
BOLT, FLANGE, 6X16	F-2-23	
BOLT, FLANGE, 6X16	F-4-17	
BOLT, FLANGE, 6X18	E-3-34	
BOLT, FLANGE, 6X18	E-5-23	
BOLT, FLANGE, 6X20	E-20-11-9	
BOLT, FLANGE, 6X20	F-7-30-7	
BOLT, FLANGE, 6X20	F-8-10	
BOLT, FLANGE, 6X20	F-8-10-30	
BOLT, FLANGE, 6X20	F-10-34	
BOLT, FLANGE, 6X20	F-10-40	
BOLT, FLANGE, 6X22	E-3-35	
BOLT, FLANGE, 6X22	E-3-10-8	
BOLT, FLANGE, 6X22	E-6-10-30	
BOLT, FLANGE, 6X22	E-13-22	
BOLT, FLANGE, 6X22	E-14-10-14	
BOLT, FLANGE, 6X22	E-15-19	
BOLT, FLANGE, 6X23	F-10-35	
BOLT, FLANGE, 6X25	E-14-19	
BOLT, FLANGE, 6X25	E-18-47	
BOLT, FLANGE, 6X32	E-3-10-9	
BOLT, FLANGE, 6X32	E-6-10-31	
BOLT, FLANGE, 6X32	E-14-10-16	
BOLT, FLANGE, 6X35	E-1-21	
BOLT, FLANGE, 6X35	E-3-32	
BOLT, FLANGE, 6X35	E-4-16	
BOLT, FLANGE, 6X35	E-14-20	
BOLT, FLANGE, 6X37	E-3-10-11	
BOLT, FLANGE, 6X40	E-6-10-37	
BOLT, FLANGE, 6X50	E-4-19	
BOLT, FLANGE, 6X55	E-3-10-14	
BOLT, FLANGE, 6X60	E-4-18	
BOLT, FLANGE, 6X60	E-15-20	
BOLT, FLANGE, 8X100	E-6-10-33	
BOLT, FLANGE, 8X18	F-7-11-16	
BOLT, FLANGE, 8X20	E-3-10-7	
BOLT, FLANGE, 8X20	E-9-14	
BOLT, FLANGE, 8X22	F-8-10-31	
BOLT, FLANGE, 8X28	E-9-15	
BOLT, FLANGE, 8X30	E-5-24	
BOLT, FLANGE, 8X30	E-6-10-35	
BOLT, FLANGE, 8X30	E-9-10-21	
BOLT, FLANGE, 8X32	E-1-22	
BOLT, FLANGE, 8X35	E-18-57	
BOLT, FLANGE, 8X35	FOP-3-6-49	
BOLT, FLANGE, 8X40	E-4-20	
BOLT, FLANGE, 8X40	E-9-10-22	
BOLT, FLANGE, 8X45	E-1-35	
BOLT, FLANGE, 8X50	E-3-38	
BOLT, FLANGE, 8X50	E-14-10-18	
BOLT, FLANGE, 8X60	E-4-17	
BOLT, FLANGE, 8X65	E-15-21	
BOLT, FLANGE, 8X75	E-3-36	
BOLT, FRICTION	FOP-3-6-29	
BOLT, HEX	F-11-32	
BOLT, HEX, 10X235	F-10-41	
BOLT, HEX, 10X35	F-3-20-31	
BOLT, HEX, 10X60	E-6-10-29	
BOLT, HEX, 10X85	E-6-10-28	
BOLT, HEX, 12X120	E-6-10-26	
BOLT, HEX, 12X130	F-10-46	
BOLT, HEX, 12X200	F-10-39	
BOLT, HEX, 12X45	F-5-13	
BOLT, HEX, 12X45	F-5-1-13	
BOLT, HEX, 12X50	F-3-20-37	
BOLT, HEX, 12X65	E-6-10-27	
BOLT, HEX, 14X180	F-3-20-32	
BOLT, HEX, 5X16	FOP-3-6-68	
BOLT, HEX, 6X14	F-10-42	
BOLT, HEX, 6X16	E-6-10	
BOLT, HEX, 6X16	F-2-26	
BOLT, HEX, 6X55	F-3-34	
BOLT, HEX, 8X28	E-6-9	
BOLT, HEX, 8X35	E-6-8	
BOLT, HEX, 8X35	F-8-10-26	
BOLT, HEX, 8X60	FOP-2-9	
BOLT, IDLER	E-13-13	
BOLT, OIL CHECK	F-3-11	
BOLT, RECESSED	F-11-29	
BOLT, SEALING, 18MM	E-5-10	
BOLT, SEALING, 22MM	E-3-6	
BOLT, SEALING, 22MM	E-3-37	
BOLT, SEALING, 22MM	E-5-15	
BOLT, SEALING, 6MM	E-18-45	
BOLT, SOCKET(A)	F-11-30	
BOLT, SOCKET(B)	F-11-31	
BOLT, SOCKET, 6X16	F-8-12	
BOLT, SPECIAL ADJUSTER	E-19-22	
BOLT, SPECIAL, 6X12	F-3-20-38	
BOLT, SPECIAL, 6X17	F-3-20-34	
BOLT, SPECIAL, 6X22	F-3-20-36	
BOLT, SPECIAL, 6X220	FOP-7-2	
BOLT, SPECIAL, 6X37	F-3-20-39	
BOLT, SPECIAL, 8MM	E-5-13	
BOLT, SPECIAL, 8X29	E-13-10-8	
BOLT, STUD, 10X45	E-6-10-32	
BOLT, STUD, 12X40	F-3-15	
BOLT, STUD, 6X68	E-19-8	
BOLT, STUD, 8X28	E-14-23	
BOLT, STUD, 8X45	E-14-24	
BOLT, TENSIONER	E-19-24	
BOLT, TIMING BELT ADJUSTING	E-13-20	
BOLT, TIMING BELT COVER	E-13-10-7	
BOLT, TIMING BELT IDLER A	E-13-14	
BOLT, WASHER, 6X121	E-6-10-34	
BOLT, WASHER, 8X60	F-4-16	
BOLT-WASHER, 10X109	E-3-27	
BOLT-WASHER, 10X32	F-3-13	
BOLT-WASHER, 10X32	F-10-38	
BOLT-WASHER, 10X47	F-3-35	
BOLT-WASHER, 10X60	E-3-28	
BOLT-WASHER, 10X80	E-3-29	
BOLT-WASHER, 11X105	E-3-30	
BOLT-WASHER, 12X163	E-9-13	
BOLT-WASHER, 12X35	E-13-23	
BOLT-WASHER, 16X49	E-13-21	
BOLT-WASHER, 5X18	E-14-10-15	
BOLT-WASHER, 5X30	E-15-18	
BOLT-WASHER, 6X16	F-2-42	
BOLT-WASHER, 6X25	E-15-17	
BOLT-WASHER, 6X25	F-3-20-57	
BOLT-WASHER, 6X25	F-7-11-13	
BOLT-WASHER, 6X27	E-20-3	

BOLT-WASHER, 6X27(CT200)	E-20-11-7	CAP, GRIP	FOP-3-7	CLIP, WIRE HARNESS	F-7-4
BOLT-WASHER, 6X27(CT200)	F-7-11-12	CAP, GRIP	FOP-3-2-9	CLIP, WIRE HARNESS	F-7-11-21
BOLT-WASHER, 6X29	E-6-10-36	CAP, HANDLE	FOP-3-6-5	CLIP, WIRE HARNESS	F-7-11-22
BOLT-WASHER, 8X35	E-18-46	CAP, L. SIDE COVER	F-8-10-24	CLIP, WIRE HARNESS	F-10-67
BOSS, FLYWHEEL	E-5-12	CAP, OIL(YELLOW)	E-3-10-4	CLIP, WIRE HARNESS(6.3MM)	FOP-3-6-65
BOX ASSY., JUNCTION	F-7-30-1	CAP, SWITCH	FOP-3-8	CLIP, WIRE HARNESS, 10MM	E-14-26
BOX ASSY., REMOTE CONTROL(EU)	FOP-3-6-1	CAP, TIMING BELT TENSIONER	E-13-8	CLIP, WIRE HARNESS, 25MM	E-18-2-32
BOX KIT, REMOTE CONTROL	FOP-3-1	CAP, UNDER COVER	F-3-20-24	CLIP, WIRE HARNESS, 25MM	E-20-11-10
BOX KIT, REMOTE CONTROL	FOP-3-2-1	CAP, WATER JOINT	F-3-20-4	CLIP, WIRE HARNESS, 25MM	F-3-20-50
BOX KIT, REMOTE CONTROL	FOP-3-4-1	CARTRIDGE, OIL FILTER	E-3-10-3	CLUTCH COMP., OVERRUNNING	E-21-3
BRACKET A, RR. COVER	F-8-10-8	CASE A, SILENCER	E-15-10	COCK ASSY., FUEL DRAIN	E-18-2-25
BRACKET ASSY.	F-11-6	CASE ASSY., GEAR(L)	F-3-10-1	COIL COMP., PLUG HOLE	E-20-1
BRACKET B, HARNESS CLIP	E-3-20	CASE ASSY., GEAR(XL)	F-3-10	COLLAR	E-18-23
BRACKET B, RR. COVER	F-8-10-9	CASE ASSY., GEAR(XL)(C/R)	F-3-10	COLLAR	E-18-26
BRACKET C, COUPLER	F-7-11-2	CASE ASSY., OIL SEAL	E-3-2	COLLAR, 6.2X10X25.5	F-3-20-53
BRACKET C, HARNESS CLIP	E-1-16	CASE B, SILENCER	E-15-11	COLLAR, 8.5X14.5	E-18-55
BRACKET, A.C. GENERATOR FUSE	E-20-11-3	CASE COMP., MOUNT	E-6-10-22	COLLAR, 8.5X14.5	F-8-10-37
BRACKET, BUZZER	FOP-4-22	CASE COMP., PUMP	E-18-27	COLLAR, C.D.I. UNIT CASE	E-15-24
BRACKET, BUZZER	FOP-4-1-14	CASE KIT, GEAR	F-3-1	COLLAR, C.D.I. UNIT CASE	E-20-5
BRACKET, CABLE	F-8-10-1	CASE, ELECTRONIC PARTS	E-20-11-1	COLLAR, C.D.I. UNIT CASE	E-20-11-11
BRACKET, CLIP B	E-1-15	CASE, EXTENSION	F-3-20-10	COLLAR, C.D.I. UNIT CASE	F-7-11-25
BRACKET, CLIP B	E-3-19	CASE, EXTENSION	F-3-20	COLLAR, DISTANCE	F-4-32
BRACKET, COUPLER D	E-13-17	CASE, FLUSH VALVE	E-6-10-7	COLLAR, DISTANCE	FOP-2-15
BRACKET, ECU	E-20-11-5	CASE, GEAR	F-3-4	COLLAR, DISTANCE(A)	FOP-7-3
BRACKET, FR	E-21-10	CASE, POWER TILT RELAY	F-7-11-11	COLLAR, DISTANCE(B)	FOP-7-4
BRACKET, FR. COVER	F-8-10-5	CASE, SWIVEL	F-10-20	COLLAR, DISTANCE, 6.5X9X3	F-8-15
BRACKET, HARNESS CLIP A	E-14-17	CASE, SWIVEL	F-10-	COLLAR, DISTANCE, 6.5X9X5	F-3-20-
BRACKET, HOOK	F-8-5	CIRCLIP, EXTERNAL, 15MM	F-5-29	COLLAR, DISTANCE, 6X10.5X25	F-3-20-54
BRACKET, L. SIDE COVER	F-8-10-7	CIRCLIP, EXTERNAL, 15MM	F-5-1-30	COLLAR, DISTANCE, 6X10X43.5	FOP-3-6-67
BRACKET, L. STERN	F-10-25	CIRCLIP, EXTERNAL, 39MM	F-10-66	COLLAR, LINK JOINT	FOP-3-6-66
BRACKET, LINK JOINT	FOP-3-6-19	CIRCLIP, INTERNAL	F-11-36	COLLAR, LOWER CYLINDER	F-10-33
BRACKET, NEUTRAL SWITCH	F-2-19	CIRCLIP, INTERNAL, 43	F-3-20-49	COLLAR, MOUNTING(6MM)	F-7-11-23
BRACKET, R. SIDE COVER	F-8-10-6	CLAMP	F-6-5	COLLAR, ORIFICE	F-11-48
BRACKET, R. STERN	F-10-24	CLAMP	F-6-8	COLLAR, SHIFT SLIDER	F-2-11
BRACKET, REMOTE CONTROL	FOP-3-12	CLAMP, CHECK VALVE	E-18-10-1	COLLAR, SLIDING PLATE	FOP-3-6-16
BRACKET, REMOTE CONTROL	FOP-3-2-13	CLAMP, FUEL TUBE	E-18-10-21	COLLAR, STEERING ROD	F-10-71
BRACKET, RR	E-21-11	CLAMP, HARNESS	FOP-3-6-9	COLLAR, TIMING BELT COVER	E-13-10-10
BRACKET, SENSOR CORD	E-14-10-8	CLAMP, HOSE	E-18-10-9	CONTROL UNIT, ELECTRONIC	E-20-11-4
BRACKET, SHIFT LINK	F-2-16	CLAMP, POWER TILT CORD	FOP-3-6-31	CONTROL UNIT, ELECTRONIC	E-20-11-
BRACKET, SOLENOID VALVE	E-1-7	CLAMP, TUBE	F-10-21	CORD ASSY., INDICATOR(20FT)	FOP-4-5
BRACKET, TILTING	F-10-28	CLAMP, TUBE(D10.5)	E-4-21	CORD ASSY., INDICATOR(25FT)	FOP-4-
BREAKER ASSY.	F-11-1	CLAMP, TUBE(D10.5)	E-18-10-19	CORD ASSY., INDICATOR(30FT)	FOP-4-
BRUSH ASSY.	F-11-2	CLAMP, TUBE(D10.7)	E-18-10-18	CORD COMP., EMERGENCY	FOP-3-6-42
BRUSH SET	E-21-7	CLAMP, TUBE(D21)	E-4-23	CORD COMP., EMERGENCY	FOP-4-16
BUFFER, PLATE	E-18-2-8	CLAMP, TUBE(D29)	E-4-22	CORD COMP., EMERGENCY	FOP-4-1-9
BUSH A, COVER LOCK	F-8-10-15	CLAMP, TUBE(D32.5)	E-1-25	CORD, A.C. GENERATOR	F-7-11-8
BUSH A, THRUST RECEIVE	F-10-31	CLAMP, WIRE, 8MM	E-18-2-31	CORD, SWITCH	E-3-21
BUSH B, COVER LOCK	F-8-10-16	CLAMPER, SENSOR TUBE	F-10-12	COTTER, VALVE(FUJI VALVE)	E-9-10-20
BUSH B, THRUST RECEIVE	F-10-32	CLIP A, WIRE	E-1-17	COVER ASSY.	FOP-3-4-11
BUSH COMP., VERTICAL SHAFT	F-3-20-12	CLIP D, SPEEDOMETER CABLE	E-14-18	COVER ASSY., CRANKCASE UPPER	E-3-1
BUSH, INSULATION	E-19-4	CLIP D, WASHER TUBE	E-1-33	COVER ASSY., ENGINE	F-8-3
BUSH, INSULATION	E-19-18	CLIP, 10.7MM	F-11-35	COVER ASSY., L. TIMING BELT	E-13-10-3
BUSH, LOWER CYLINDER	F-11-25	CLIP, BRAKE PIPE	F-2-21	COVER ASSY., R. TIMING BELT	E-13-10-2
BUSH, MOTOR CODE	F-11-20	CLIP, EMERGENCY LOCK	FOP-3-6-43	COVER B, TERMINAL	F-7-11-6
BUSH, SHIFT ARM	F-2-15	CLIP, EMERGENCY LOCK	FOP-4-17	COVER B, TERMINAL(L)	F-7-11-5
BUSH, SWIVEL CASE	F-10-23	CLIP, EMERGENCY LOCK	FOP-4-1-10	COVER COMP.	E-18-4
BUSH, SWIVEL CASE	F-11-12	CLIP, HARNESS	E-1-28	COVER COMP., FUSE	F-7-30-2
BUSH, TILT ARM	F-10-27	CLIP, HARNESS	E-18-53	COVER COMP., INTAKE MANIFOLD	E-14-10-5
BUTTON, THROTTLE	FOP-3-9	CLIP, HARNESS	F-8-10-35	COVER COMP., L. UNDER ENGINE	F-3-20-21
BUTTON, THROTTLE	FOP-3-2-10	CLIP, HARNESS BAND(BLACK)	E-3-48	COVER COMP., R. UNDER ENGINE	F-3-20-20
BUTTON, THROTTLE	FOP-3-4-8	CLIP, HARNESS BAND(BLACK)	E-13-10-11	COVER, BEARING	E-19-5
BUZZER COMP., WARNING	FOP-3-6-46	CLIP, HARNESS BAND(BLACK)	F-2-44	COVER, DRAIN PLUG(L)	F-3-20-13
BUZZER COMP., WARNING	FOP-4-21	CLIP, HARNESS BAND(BLACK)	F-7-6	COVER, DRAIN PLUG(XL)	F-3-20-
BUZZER COMP., WARNING	FOP-4-1-13	CLIP, HARNESS BAND(BLACK)	F-7-11-24	COVER, DUAL GRIP	FOP-3-2-8
<C>		CLIP, HARNESS BAND(BLACK)	F-8-10-36	COVER, FLUSH VALVE	E-6-10-6
CABLE ASSY., POWER TILT RELAY	F-7-11-7	CLIP, HARNESS BAND(BLACK)	FOP-12-3	COVER, FR.	F-8-7
CABLE ASSY., REMOTE CONTROL(B)	FOP-3-6-34	CLIP, INJECTOR	E-14-2	COVER, FR. SEPARATE	F-3-20-9
CABLE ASSY., STARTER	F-7-11-3	CLIP, PISTON PIN	E-7-4	COVER, GEAR CASE	F-3-6
CABLE ASSY., SWITCH PANEL	FOP-4-10	CLIP, SENSOR HOSE	E-1-18	COVER, GRIP	FOP-3-4-4
CABLE ASSY., SWITCH PANEL	FOP-4-	CLIP, SHIFT WIRE	E-1-19	COVER, IMPELLER	F-4-4
CABLE ASSY., SWITCH PANEL	FOP-4-	CLIP, TUBE	E-6-10-1	COVER, IMPELLER	FOP-2-6
CABLE COMP. A, COVER LOCK	F-8-10-12	CLIP, TUBE	E-18-2-2	COVER, L. CAMSHAFT THRUST	E-9-8
CABLE COMP. B, COVER LOCK	F-8-10-13	CLIP, TUBE	E-18-10-10	COVER, L. CYLINDER HEAD	E-1-3
CABLE COMP., THROTTLE	E-15-13	CLIP, TUBE(B10)	E-6-10-40	COVER, L. GRIP	FOP-3-5
CABLE SET, PANEL INDICATOR	FOP-4-2	CLIP, TUBE(B12)	E-1-27	COVER, L. GRIP	FOP-3-2-6
CABLE SET, PANEL INDICATOR	FOP-4-	CLIP, TUBE(B12)	E-18-2-29	COVER, L. LOWER MOUNTING	F-3-20-27
CABLE SET, PANEL INDICATOR	FOP-4-	CLIP, TUBE(B12.5)	E-6-10-41	COVER, L. LOWER MOUNTING	F-3-20-
CAMSHAFT, L.	E-9-10-2	CLIP, TUBE(B12.5)	E-18-2-30	COVER, L. RELIEF VALVE	E-6-10-17
CAMSHAFT, L.	E-9-10-	CLIP, TUBE(B12.5)	F-3-20-48	COVER, L. WATER JACKET	E-6-10-21
CAMSHAFT, R.	E-9-10-1	CLIP, TUBE(B8)	E-18-2-28	COVER, LOCK ARM	FOP-3-4-6
CAMSHAFT, R.	E-9-10-	CLIP, TUBE(B8)	F-10-65	COVER, NEUTRAL SWITCH	F-2-20
CAP COMP., OIL TANK	F-11-28	CLIP, WIRE	E-18-10-20	COVER, OIL LEVEL GAUGE	E-3-14
CAP, BOLT, 10MM	E-3-10-12	CLIP, WIRE HARNESS	E-18-2-33	COVER, OIL PUMP	E-5-4

COVER, PLUG MAINTENANCE	F-3-20-19	GEAR SET.....	F-5-8	<I>	
COVER, PUMP	E-18-28	GEAR SET(COUNTER ROTATION).....	F-5-1-8	IDLER B, TIMING BELT	E-13-15
COVER, PUMP(A)	E-18-29	GEAR, BEVEL(RVS, 28T).....	F-5-9	IDLER, TIMING BELT(KOYO SEIKO)	E-13-12
COVER, R. CAMSHAFT THRUST	E-9-7	GENERATOR ASSY., A.C.....	E-19-14	IMPELLER, PUMP	F-4-1
COVER, R. CYLINDER HEAD.....	E-1-1	GRIP, REMOTE CONTROL HANDLE	FOP-3-6	IMPELLER, PUMP	FOP-2-3
COVER, R. LOWER MOUNTING.....	F-3-20-26	GRIP, REMOTE CONTROL HANDLE	FOP-3-2-7	INJECTOR ASSY., FUEL	E-14-1
COVER, R. LOWER MOUNTING.....	F-3-20-	GRIP, REMOTE CONTROL HANDLE	FOP-3-6-4	INSULATOR.....	E-18-31
COVER, R. RELIEF VALVE.....	E-6-10-13	GRIP, SCREW DRIVER.....	F-13-3	INSULATOR COMP.....	E-18-30
COVER, R. WATER JACKET	E-6-10-19	GROMMET A, UNDER CASE.....	F-8-10-3	<J>	
COVER, STARTER TERMINAL.....	F-7-11-4	GROMMET, AIR CLEANER CASE.....	F-8-1	JOINT A, VACUUM TUBE	E-14-10-7
COVER, THERMOSTAT.....	E-4-11	GROMMET, ELECTRONIC PARTS CASE	E-20-4	JOINT ASSY (INLET)	F-6-2
COVER, UPPER MOUNT	F-10-18	GROMMET, ELECTRONIC PARTS CASE	E-20-11-2	JOINT ASSY (OUTLET)	F-6-3
COVER, WATER JACKET	E-18-12	GROMMET, ELECTRONIC PARTS CASE	F-7-11-1	JOINT ASSY., OIL PIPE	E-3-12
CRANKCASE COMP.....	E-3-10-1	GROMMET, EXTENSION CASE	F-4-13	JOINT B, WASHER TUBE(MITSUBA).....	F-10-8
CRANKSHAFT COMP.....	E-7-8	GROMMET, GEAR CASE	F-3-5	JOINT SET	E-18-6
CUP	E-18-2-17	GROMMET, L. IDLE PORT	F-3-20-29	JOINT, DRIVE	F-11-16
CUP SET, WATER SEPARATOR.....	E-18-2-7	GROMMET, POWER TILT SWITCH	F-3-20-8	JOINT, FUEL PIPE	E-14-8
<D>		GROMMET, R. IDLE PORT	F-3-20-28	JOINT, FUEL PIPE	E-18-38
DAMPER, HOOK	F-8-6	GROMMET, RELAY	F-7-11-10	JOINT, FUEL RETURN.....	E-18-10-11
DOWEL PIN, 10X12	E-14-30	GROMMET, RELAY BRACKET.....	E-20-11-6	JOINT, WATER HOSE	F-3-20-2
DOWEL PIN, 13X37	E-3-39	GROMMET, SILENCER	E-15-12	<K>	
DOWEL PIN, 14X15	E-5-16	GROMMET, TIMING BELT COVER.....	E-13-10-1	KEY, 4.5X24.....	E-13-26
DOWEL PIN, 14X15	E-6-10-42	GROMMET, UNDER CASE.....	E-15-16	KEY, SPECIAL	E-13-27
DOWEL PIN, 16X22	E-9-18	GROMMET, UNDER CASE(C).....	F-3-20-7	KEY, WOODRUFF	F-4-22
DOWEL PIN, 5X8.....	E-3-52	GROMMET, UNDER CASE(C).....	F-11-10	KEY, WOODRUFF	FOP-2-11
DOWEL PIN, 6X10.....	E-3-51	GROMMET, VAPOR SEPARATOR	E-18-34	KIT, CABLE(NMEA)(6FT)	FOP-12-1
DOWEL PIN, 6X10.....	E-9-17	GROMMET, VAPOR SEPARATOR	E-18-35	<L>	
DOWEL PIN, 6X10.....	E-9-21	GROMMET, WATER CHECK	F-3-20-30	LABEL, FUSE & OIL CAUTION	F-12-16
DOWEL PIN, 6X10.....	E-13-28	GROMMET, WATER TUBE.....	E-6-6	LABEL, WARNING OPERATOR.....	F-12-14
DOWEL PIN, 6X10.....	E-15-26	GUIDE COMP., ROD	F-11-17	LAMP ASSY., INDICATION	FOP-3-6-44
DOWEL PIN, 6X10.....	F-3-25	GUIDE, EX. VALVE(OS).....	E-9-3	LAMP ASSY., INDICATION(4-LED)	FOP-4-19
DOWEL PIN, 6X10.....	F-3-20-51	GUIDE, IN. VALVE(OS).....	E-9-2	LAMP ASSY., INDICATION(4-LED)	FOP-4-1-11
DOWEL PIN, 6X10.....	F-4-23	GUIDE, L. EX.....	E-6-10-5	LEVER SET	E-21-18
DOWEL PIN, 8X14.....	E-3-10-17	GUIDE, R. EX.....	E-6-10-2	LEVER, COVER LOCK	F-8-10-14
DRIVER 3, MINUS SCREW(NO.2).....	F-13-8	<H>		LEVER, HANDLE LOCK.....	FOP-3-6-3
DUCT, ENGINE COVER.....	F-8-9	HANDLE, REMOTE CONTROL.....	FOP-3-4	LEVER, IDLE.....	FOP-3-6-22
<E>		HANDLE, REMOTE CONTROL.....	FOP-3-2-5	LINER, PUMP	F-4-3
END COVER, RR.....	E-19-17	HANDLE, REMOTE CONTROL.....	FOP-3-4-3	LINER, PUMP	FOP-2-5
END, NIPPLE.....	F-10-10	HANDLE, REMOTE CONTROL.....	FOP-3-6-2	LINER, SWIVEL CASE	F-10-22
E-RING, 10MM.....	F-4-33	HANGER, ENGINE	E-3-10-2	LOCK ASSY., FR.....	F-8-10-22
E-RING, 12MM.....	F-2-41	HANGER, ENGINE	E-9-1	LOCK COMP., SIDE.....	F-8-10-23
E-RING, 15MM.....	F-11-49	HARNESS ASSY., MAIN WIRE.....	F-7-1	LOW PERMEATION HOSE L=1600	F-6-7-2
E-RING, 3MM.....	FOP-3-6-77	HARNESS ASSY., MAIN WIRE.....	F-7-	LOW PERMEATION HOSE L=700	F-6-6-2
E-RING, 4MM.....	F-2-40	HARNESS ASSY., SWITCH PANEL.....	FOP-4-9	<M>	
E-RING, 4MM.....	FOP-3-6-78	HARNESS ASSY., SWITCH PANEL.....	FOP-4-1-4	MANIFOLD COMP., INTAKE.....	E-14-10-3
E-RING, 6MM.....	F-8-10-38	HARNESS COMP.....	E-18-41	MANIFOLD COMP., L. EX.....	E-4-4
E-RING, 6MM.....	FOP-3-36	HEAD COMP., CYLINDER	E-9-5	MANIFOLD COMP., R. EX.....	E-4-2
E-RING, 6MM.....	FOP-3-2-41	HOLDER.....	E-18-11	MARK, FAST IDLE	FOP-3-6-48
E-RING, 6MM.....	FOP-3-4-28	HOLDER ASSY., BRUSH.....	E-19-1	MARK, FLUSH MOUNT	FOP-3-4-19
E-RING, 7MM.....	FOP-3-6-79	HOLDER COMP., BRUSH.....	E-21-9	MARK, FR. EMBLEM(TOYOTA).....	F-12-19
EXTENSION, OIL FILLER	E-3-10-5	HOLDER, BEARING.....	F-5-12	MARK, HANDLE FLUSH MOUNT	FOP-3-4-18
<F>		HOLDER, BEARING(C/R).....	F-5-1-12	MARK, L. SIDE STRIPE	F-12-18
FILTER.....	E-18-2-14	HOLDER, NEUTRAL LOCK	FOP-3-4-14	MARK, R. SIDE STRIPE	F-12-6
FILTER ASSY., SPOOL VALVE	E-3-17	HOLDER, OIL FILTER	E-3-10-6	MARK, REMOTE CONTROL(DUAL)	FOP-3-2-24
FILTER ASSY., SPOOL VALVE.....	E-3-	HOLDER, PROPELLER SHAFT	F-5-11	MARK, REMOTE CONTROL(SINGLE)	FOP-3-21
FILTER B.....	F-11-18	HOLDER, PROPELLER SHAFT	F-5-1-11	MARK, RR.(BFT200)	F-12-3
FLOAT.....	E-18-2-16	HOLDER, ROD(A)	F-8-20-3	MARK, RR.(BFT225)	F-12-4
FLOAT SET.....	E-18-2	HOLDER, SEAL	F-2-17	MESH, FUEL FILTER	E-14-4
FLYWHEEL COMP.....	E-5-11	HOLDER, SHIFT ROD	F-4-12	METAL COMP., ANODE.....	F-3-10
FRAME COMP., MOUNTING(L).....	F-10-13	HOLDER, STRIKER.....	F-8-10-21	METAL KIT, ANODE	F-10-1
FRAME COMP., MOUNTING(XL).....	F-10-	HOSE A, PRESSURE REGULATOR.....	E-18-10-12	METAL, ANODE.....	E-3-4
FUSE, BLOCK(150A).....	F-7-30-3	HOSE B, PRESSURE REGULATOR.....	E-18-10-13	METAL, ANODE.....	E-3-5
FUSE, MINI(10A).....	F-7-30-9	HOSE COMP., FUEL	E-14-9	METAL, ANODE.....	E-4-1
FUSE, MINI(15A).....	F-7-30-10	HOSE COMP., FUEL JOINT	E-14-10	METER LEAD WIRE.....	FOP-5-1-8
FUSE, MINI(30A).....	F-7-30-11	HOUSING ASSY., L. INNER	FOP-3-3	MOTION COMP., LOST	E-9-10
<G>		HOUSING ASSY., L. INNER.....	FOP-3-2-3	MOTION COMP., LOST	E-9-
GASKET B, IMPELLER.....	F-4-5	HOUSING ASSY., R. INNER.....	FOP-3-2-4	MOTOR ASSY., POWER TILT.....	F-11-5
GASKET B, IMPELLER.....	FOP-2-7	HOUSING ASSY., R. INNER.....	FOP-3-4-2	MOTOR ASSY., STARTER	E-21-1
GASKET COMP., CYLINDER HEAD.....	E-9-9	HOUSING COMP., REMOTE CONTROL.....	FOP-3-13	MOUNT COMP., LOWER RUBBER.....	F-3-20-17
GASKET, EAC VALVE	E-15-5	HOUSING COMP., REMOTE CONTROL	FOP-3-2-14	MOUNT COMP., UPPER RUBBER	F-10-15
GASKET, EX. PIPE.....	E-6-4	HOUSING COMP., REMOTE CONTROL	FOP-3-6-10	<N>	
GASKET, FR. INJECTOR BASE.....	E-14-12	HOUSING COMP., REMOTE CONTROL	FOP-3-6-11	NIPPLE, GREASE	F-10-68
GASKET, INTAKE MANIFOLD.....	E-14-15	HOUSING, IMPELLER.....	F-4-2	NIPPLE, SENSOR	F-10-11
GASKET, INTAKE MANIFOLD.....	E-14-10-1	HOUSING, IMPELLER.....	FOP-2-4	NUT, CASTLE, 18MM	F-5-14
GASKET, L. EX. MANIFOLD.....	E-4-5	HOUSING, LEAD	FOP-3-14	NUT, CASTLE, 18MM	F-5-1-14
GASKET, MOUNT CASE.....	E-6-10-23	HOUSING, LEAD	FOP-3-2-15	NUT, FLANGE CAP, 10MM.....	E-3-10-15
GASKET, R. EX. MANIFOLD.....	E-4-3	HOUSING, LOWER CENTER MOUNTING	F-10-17	NUT, FLANGE, 10MM.....	F-10-51
GASKET, RR. INJECTOR BASE.....	E-14-14	HOUSING, LOWER CENTER MOUNTING	F-10-	NUT, FLANGE, 12MM.....	F-10-48
GASKET, THROTTLE BODY.....	E-15-2	HOUSING, LOWER MOUNTING	F-3-20-16	NUT, FLANGE, 5MM.....	FOP-4-4
GAUGE COMP., OIL LEVEL	E-3-53	HOUSING, REMOTE CONTROL BOX(C)	FOP-3-6-12	NUT, FLANGE, 5MM.....	FOP-4-1-2
GEAR ASSY., INTERNAL.....	E-21-16	HOUSING, UPPER MOUNTING.....	F-10-14	NUT, FLANGE, 8MM.....	E-14-25
GEAR ASSY., PLANETARY.....	E-21-4	HOUSING, WATER PUMP	F-4-6	NUT, FLANGE, 8MM.....	E-14-10-19
GEAR COMP., BEVEL(RVS, 28T).....	F-5-1-9			NUT, FLANGE, 8MM.....	E-19-25

NUT, HEX., 12MM	F-10-72	O-RING, 48.5X2.4	E-9-20	PLATE, HANDLE	FOP-3-2-11
NUT, HEX., 16MM	F-3-20-41	O-RING, 49.4X3.1	E-6-10-46	PLATE, INTAKE MANIFOLD CENTER	E-14-10-4
NUT, HEX., 16MM	FOP-3-6-53	O-RING, 59.4X3.1	E-21-23	PLATE, L. TIMING BELT COVER	E-13-10-4
NUT, HEX., 16MM	FOP-4-24	O-RING, 6.9X1.45	F-3-30	PLATE, LEVER SETTING	FOP-3-6-8
NUT, HEX., 16MM	FOP-4-1-16	O-RING, 6.9X1.45	F-3-31	PLATE, LOCK	F-2-13
NUT, HEX., 18MM	F-4-19	O-RING, 66.4X3.1	E-4-24	PLATE, R. TIMING BELT COVER	E-13-10-5
NUT, HEX., 20MM	F-2-27	O-RING, 69.1X2.4	F-4-31	PLATE, REMOTE CONTROL	FOP-3-6-47
NUT, HEX., 5MM	FOP-3-29	O-RING, 69.1X2.4	FOP-2-14	PLATE, REMOTE CONTROL CABLE	F-2-2
NUT, HEX., 5MM	FOP-3-35	O-RING, 7.45X3.61(NOK)	E-14-29	PLATE, RUBBER SETTING	F-3-2
NUT, HEX., 5MM	FOP-3-2-33	O-RING, 7.47X3.6	E-14-28	PLATE, SHIFT	F-5-7
NUT, HEX., 5MM	FOP-3-2-34	O-RING, 7.8X1.9(ARAI)	E-14-27	PLATE, SHIFT	F-5-1-7
NUT, HEX., 5MM	FOP-3-2-40	O-RING, 7.8X1.9(ARAI)	E-18-54	PLATE, SPRING SETTING	FOP-3-6-23
NUT, HEX., 5MM	FOP-3-6-76	O-RING, 8.8X2.4	E-3-11	PLATE, STARTER CABLE	F-8-10-2
NUT, HEX., 6MM	E-19-27	O-RING, 9.5X1.9	E-3-42	PLATE, TIMING BELT GUIDE	E-13-2
NUT, HEX., 6MM	F-8-18	O-RING, 9.5X1.9	E-4-25	PLATE, WATER TUBE	E-6-7
NUT, HEX., 6MM	FOP-3-4-25	O-RING, PRESSURE REGULATOR	E-14-7	PLATE, WINKER BUZZER	FOP-3-6-45
NUT, HEX., 6MM	FOP-3-6-54	O-RING, TIMING BELT TENSIONER	E-13-11	PLATE, WINKER BUZZER	FOP-4-20
NUT, HEX., 6MM	FOP-3-6-75	O-RING, WATER PUMP	F-4-29	PLATE, WINKER BUZZER	FOP-4-1-12
NUT, LOCK, 64MM	F-4-18	O-RING, WATER PUMP	FOP-2-12	PLUG, BLIND, 20MM	F-8-2
NUT, PULLEY LOCK	E-19-7	O-RING, WATER PUMP HOUSING	F-4-30	PLUG, FUEL TUBE	F-8-20-2
NUT, SELF-LOCK(25X2.0)	F-10-50	O-RING, WATER PUMP HOUSING	FOP-2-13	PLUG, HOLE, 5MM	F-3-20-55
NUT, SELF-LOCK(3/8-24UNF)	F-10-52	<P>		PLUG, INNER CONNECTOR	FOP-3-6-35
NUT, SELF-LOCK(7/8-14UNF)	F-10-49	PACKING	E-21-17	PLUG, INNER CONNECTOR	FOP-4-11
NUT, SELF-LOCK, 12MM	F-3-22	PACKING	F-11-47	PLUG, INNER CONNECTOR	FOP-4-1-5
NUT, SELF-LOCK, 14MM	F-3-20-42	PACKING, DUAL	FOP-3-2-19	PLUG, OUTER CONNECTOR	FOP-3-6-36
NUT, SELF-LOCK, 5MM	F-3-20	PACKING, FLASH VALVE	E-6-10-16	PLUG, OUTER CONNECTOR	FOP-4-12
NUT, SELF-LOCK, 6MM	F-3-19	PACKING, HEAD COVER	E-1-2	PLUG, OUTER CONNECTOR	FOP-4-1-6
NUT, SELF-LOCK, 6MM	F-10-47	PACKING, INTAKE MANIFOLD UP	E-14-10-6	PLUG, SPARK(IZFR6K-11E)(NGK)	E-20-2
NUT, TAPPET ADJUSTING	E-9-10-23	PACKING, OIL HOLE	E-3-9	PRIMER BULB	F-6-4-2
NUT, TAPPET ADJUSTING	E-9-10-24	PACKING, OIL LEVEL GAUGE	E-3-15	PRIMER BULB ASSY	F-6-1-2
NUT, WATER MOUTH	F-3-20-1	PACKING, OIL PAN	E-6-2	PROPELLER COMP., THREE BLADES	FOP-10-1
NUT-WASHER, 5MM	E-19-26	PACKING, OIL PUMP BODY	E-5-2	PROPELLER COMP., THREE BLADES	FOP-10-
NUT-WASHER, 6MM	F-7-11-18	PACKING, RELIEF VALVE	E-6-10-15	PROPELLER COMP., THREE BLADES	FOP-10-
NUT-WASHER, 8MM	F-7-11-17	PACKING, RELIEF VALVE COVER	E-6-10-14	PROPELLER COMP., THREE BLADES	FOP-10-
<O>		PACKING, SINGLE	FOP-3-18	PROPELLER COMP., THREE BLADES	FOP-10-
OIL SEAL	F-11-37	PACKING, THROTTLE BODY	E-14-10-2	PROPELLER COMP., THREE BLADES	FOP-10-
OIL SEAL, 14X26X6	F-2-37	PACKING, WATER JACKET COVER	E-6-10-20	PROPELLER COMP., THREE BLADES	FOP-10-
OIL SEAL, 31X46X7(NOK)	E-5-18	PAN, OIL	E-6-1	PROPELLER COMP., THREE BLADES	FOP-10-
OIL SEAL, 39.5X52X6(ARAI)	F-10-69	PANEL ASSY., INDICATOR(4-LED)	FOP-4-18	PROPELLER COMP., THREE BLADES	FOP-10-
OIL SEAL, 39X53X8(NOK)	E-9-19	PANEL ASSY., SWITCH	FOP-4-6	PROPELLER COMP., THREE BLADES	FOP-10-
OIL SEAL, 41X66X8	E-3-40	PANEL KIT, SWITCH(4-LED)	FOP-4-1-1	PROPELLER COMP., THREE BLADES	FOP-10-
OIL SEAL, 46X60X9	E-5-17	PANEL KIT, SWITCH(B)(4-LED)	FOP-4-1	PROPELLER COMP., THREE BLADES	FOP-10-
OIL SEAL, 80X98X10(ARAI)	E-3-41	PANEL, CONTROL	FOP-4-7	PROPELLER COMP., THREE BLADES	FOP-10-
ORIFICE ASSY., OIL CONTROL	E-3-10	PANEL, CONTROL	FOP-4-8	PROPELLER COMP., THREE BLADES	FOP-10-
O-RING	E-14-10-13	PANEL, CONTROL	FOP-4-1-3	PROPELLER COMP., THREE BLADES	FOP-10-
O-RING	E-15-23	PIN B, DOWEL, 10X16	E-5-21	PROPELLER COMP., THREE BLADES	FOP-10-
O-RING	E-18-13	PIN B, DOWEL, 10X16	E-6-10-51	PROPELLER COMP., THREE BLADES	FOP-10-
O-RING	E-18-14	PIN, 6X6	FOP-3-6-63	PULLER, MINI FUSE	F-7-30-4
O-RING	E-18-15	PIN, LINK	F-2-35	PULLEY	E-19-6
O-RING	E-18-16	PIN, LOCK, 6MM	FOP-3-6-62	PULLEY COMP., L. TIMING BELT	E-13-5
O-RING	E-18-17	PIN, PISTON	E-7-3	PULLEY COMP., R. TIMING BELT	E-13-4
O-RING	E-18-18	PIN, SHIFTER, 8X50	F-5-2	PULLEY, CRANKSHAFT	E-13-3
O-RING	E-18-19	PIN, SHIFTER, 8X50	F-5-1-2	PULLEY, TIMING BELT DRIVE	E-13-1
O-RING	E-18-2-21	PIN, SNAP, 6MM	F-2-34	PUMP ASSY.	F-11-14
O-RING	E-18-2-22	PIN, SPLIT, 4.0	F-3-26	PUMP ASSY., FUEL	E-1-9
O-RING	E-18-2-24	PIN, SPLIT, 4.0	F-5-21	PUMP ASSY., OIL	E-5-1
O-RING	F-3-32	PIN, SPLIT, 4.0	F-5-1-21	PUMP KIT, IMPELLER	FOP-2-1
O-RING	F-4-28	PIN, SPRING, 3X20	F-10-73	PUMP KIT, IMPELLER	FOP-2-2
O-RING SET, 3.5X31.7	F-11-45	PIN, UPPER CYLINDER	F-11-26	PUMP UNIT SET A, FUEL	E-18-7
O-RING, 1.8X69.6	F-11-39	PIN, VERTICAL SHAFT	E-13-18	PUMP UNIT SET B, FUEL	E-18-9
O-RING, 1.8X7.7	F-11-41	PIPE COMP., L. EX.	E-6-5	PUMP UNIT, FUEL	E-18-37
O-RING, 1.9X11	F-11-42	PIPE COMP., L. FUEL	E-14-5	<R>	
O-RING, 110X3.1	F-3-33	PIPE COMP., R. EX.	E-6-3	RECEIVER, THRUST	F-10-30
O-RING, 110X3.1	F-5-28	PIPE, FUEL	E-18-10-6	RECTIFIER ASSY.	E-19-19
O-RING, 110X3.1	F-5-1-29	PIPE, HARNESS GUIDE	FOP-3-6-32	REGULATOR ASSY.	E-19-20
O-RING, 13X1.5(ARAI)	E-3-46	PIPE, R. FUEL	E-14-3	REGULATOR ASSY., PRESSURE	E-14-6
O-RING, 15.54X2.26	F-10-70	PISTON	E-7-2	RELAY ASSY., FUEL PUMP(DENSO)	F-7-30-5
O-RING, 16.3X3.5	E-3-45	PISTON COMP., FREE	F-11-22	RELAY ASSY., POWER TILT	F-7-11-9
O-RING, 16MM	E-6-10-45	PISTON(0.25)	E-7-	RELAY ASSY., POWER(12V-20A)	F-7-30-6
O-RING, 18.3X3.5	E-3-43	PIVOT, SHIFT	F-2-12	RETAINER, VALVE SPRING	E-9-10-18
O-RING, 2.0X70.5	F-11-38	PIVOT, SHIFT	FOP-3-6-17	RING	E-18-32
O-RING, 20.6X2.6	E-5-19	PLATE	E-18-10	RING SET, PISTON(0.25)	E-7-
O-RING, 23.5X2	E-6-10-48	PLATE	E-18-44	RING SET, PISTON(STD.)	E-7-1
O-RING, 25X2.4(NOK)	E-3-47	PLATE	E-18-2-23	RING, BACK UP	F-11-19
O-RING, 26.2X2.4(NOK)	E-3-44	PLATE COMP., SLIDING	FOP-3-6-15	RING, CROSS PIN	F-5-3
O-RING, 26.9X2.4(NOK)	F-2-39	PLATE SET, TRANSOM(5.5MM FLAT)	FOP-9-2	RING, CROSS PIN	F-5-1-3
O-RING, 26X2.7	E-3-10-16	PLATE SET, TRIM ADJUST	FOP-9-1	RING, INNER(15X20X23)	F-2-36
O-RING, 3.5X35.7	F-11-43	PLATE, CABLE CLAMP	FOP-3-11	RING, STOPPER	F-2-7
O-RING, 3.5X38.7	F-11-40	PLATE, CABLE CLAMP	FOP-3-2-12	RING, WATER TUBE SEAL	F-4-8
O-RING, 3.5X41.7	F-11-44	PLATE, DWELL	FOP-3-15	RING, WATER TUBE SEAL	FOP-2-8
O-RING, 31.5X2.4(ARAI)	E-4-26	PLATE, DWELL	FOP-3-2-16	ROD COMP. A, SHIFT(L)	F-4-11
O-RING, 33.5X2	E-6-10-47	PLATE, DWELL	FOP-3-4-10	ROD COMP. A, SHIFT(XL)	F-4-
O-RING, 37X2.4(ARAI)	E-1-29	PLATE, HANDLE	FOP-3-10	ROD COMP., CONNECTING	E-7-6

ROD COMP., PISTON	F-11-21	SCREW, TAPPING, 6X30	FOP-3-4-24	SHIM F, THRUST(3.00)	F-5-
ROD COMP., PISTON(B)	F-11-15	SCREW, TRUSS, 4X12	FOP-3-4-21	SHIM G, THRUST(3.05)	F-5-
ROD COMP., SHIFT	F-4-9	SCREW, WASHER	E-18-22	SHIM H, THRUST(3.10)	F-5-
ROD COMP., SHIFT	F-4-	SCREW, WAVE WASHER	E-19-12	SHIM I, THRUST(2.70)	F-5-
ROD KIT, STEERING	F-10-3	SCREW, WAVE WASHER	E-19-13	SHIM J, THRUST(2.65)	F-5-
ROD, LINK	F-2-10	SCREW-WASHER	E-18-20	SHIM K, THRUST(2.60)	F-5-
ROLLER, 3X13.8	F-5-26	SCREW-WASHER	E-19-11	SHIM L, THRUST(2.55)	F-5-
ROLLER, 3X13.8	F-5-1-27	SCREW-WASHER, 5X15	F-7-30-8	SHIM M, THRUST(2.50)	F-5-
ROLLER, 5X8	E-5-25	SCREW-WASHER, 6X40	F-3-20-40	SLIDER COMP, SHIFT	F-5-4
ROLLER, CLICK	FOP-3-6-64	SEAL A, COVER UNDER	F-3-20-22	SLIDER COMP, SHIFT	F-5-1-4
ROTOR ASSY	E-19-15	SEAL A, VALVE STEM(NOK)	E-9-4	SLIDER, SHIFT	F-5-5
ROTOR COMP	E-21-2	SEAL B, COVER UNDER	F-3-20-23	SLIDER, SHIFT	F-5-1-5
ROTOR, OIL PUMP INNER	E-5-5	SEAL B, EX. GUIDE	E-6-10-4	SLINGER, OIL	F-4-15
ROTOR, OIL PUMP OUTER	E-5-6	SEAL B, VALVE STEM(NOK)	E-9-6	SPACER KIT, REMOTE CONTROL BOX	FOP-3-2
RUBBER C, STAND STOPPER	F-3-20-56	SEAL C, UNDER COVER	F-3-20-25	SPACER KIT, REMOTE CONTROL BOX	FOP-3-2-2
RUBBER, DRAIN PLUG	F-3-20-11	SEAL D, UNDER COVER	F-8-10-25	SPACER, CABLE CLAMP	FOP-3-17
RUBBER, FR. CARRIER CUSHION	F-8-10-11	SEAL, ENGINE COVER	F-8-4	SPACER, CABLE CLAMP	FOP-3-2-18
RUBBER, MOUNT CASE SEAL	E-6-10-24	SEAL, EXHAUST GUIDE	E-6-10-3	SPACER, CABLE CLAMP	FOP-3-4-13
RUBBER, OIL PUMP	E-5-3	SEAL, L. IDOL PORT	F-3-20-15	SPACER, CABLE CLAMP	FOP-3-6-33
RUBBER, SEAL SILENCER	E-15-7	SEAL, R. IDOL PORT	F-3-20-14	SPACER, CLICK SPRING	FOP-3-6-27
RUBBER, STOPPER	F-8-10-10	SEAL, SPARK PLUG TUBE(NOK)	E-1-4	SPACER, INTAKE MANIFOLD	E-14-16
RUBBER, UPPER MOUNT STOPPER	F-10-16	SEAL, UPPER MOUNT COVER	F-10-19	SPACER, L. RELIEF VALVE	E-6-10-18
<S>		SEAL, WATER	F-11-46	SPACER, NEUTRAL SWITCH	FOP-3-6-30
SCREEN COMP., FUEL STRAINER	E-18-39	SEAL, WATER(14X26X8)	F-2-38	SPACER, R. RELIEF VALVE	E-6-10-12
SCREEN, L. WATER	F-3-8	SEAL, WATER, 12X21X6	F-3-29	SPACER, REMOTE CONTROL BOX	FOP-3-6-26
SCREEN, R. WATER	F-3-7	SEAL, WATER, 12X21X6	F-4-27	SPACER, THERMOSTAT	E-4-12
SCREW	E-19-9	SEAL, WATER, 22X35X7	E-6-10-44	SPACER, THROTTLE BODY	E-15-4
SCREW	E-19-10	SEAL, WATER, 26X42X7	F-3-27	SPRING COMP., CLICK	F-2-5
SCREW SET	E-15-1	SEAL, WATER, 26X42X7	F-4-26	SPRING COMP., CLICK	F-10-4
SCREW SET, DRAIN	E-18-5	SEAL, WATER, 30X45X7	F-3-28	SPRING COMP., TIMING BELT	E-13-9
SCREW SET, DRAIN	E-18-2-1	SEAL, WATER, 30X45X7	F-5-27	SPRING, ACCELERATOR WHEEL	FOP-3-6-21
SCREW, 6X95	FOP-3-6-52	SEAL, WATER, 30X45X7	F-5-1-28	SPRING, AIR FLOW TUBE	E-15-8
SCREW, FLAT, 5X12	FOP-3-6-51	SEAT, VALVE SPRING	E-9-10-19	SPRING, CHOKE RETURN	FOP-3-6-25
SCREW, FLAT, 5X55	F-3-12	SEAT, WATER MOUTH	F-3-20-3	SPRING, CLICK ASSIST	F-2-6
SCREW, FLAT, 6X16	E-5-20	SENSOR ASSY., AIR TEMP.	E-15-14	SPRING, CLICK ASSIST	F-10-5
SCREW, PAN	E-18-21	SENSOR ASSY., CRANK	E-3-25	SPRING, COVER LOCK HOOK	F-8-10-17
SCREW, PAN, 4X10	FOP-3-26	SENSOR ASSY., MAP	E-14-10-12	SPRING, EX. VALVE	E-9-10-17
SCREW, PAN, 4X10	FOP-3-2-29	SENSOR ASSY., TRIM ANGLE	F-10-7	SPRING, FLUSH VALVE	E-6-10-8
SCREW, PAN, 5X10	FOP-3-23	SENSOR ASSY., WATER	E-3-24	SPRING, IN. VALVE(GRAY)	E-9-10-16
SCREW, PAN, 5X10	FOP-3-2-26	SENSOR ASSY., WATER	E-4-14	SPRING, LOCK ADJUSTER	F-8-8
SCREW, PAN, 5X10	FOP-3-6-69	SENSOR COMP., KNOCK	E-3-18	SPRING, LOCK LEVER RETURN	F-8-10-18
SCREW, PAN, 5X12	E-18-2-15	SENSOR COMP., TDC1-TDC2	E-13-10-6	SPRING, MOTOR	F-11-9
SCREW, PAN, 5X16	E-3-49	SENSOR, OXYGEN	E-4-13	SPRING, NEUTRAL LOCK ARM	FOP-3-4-7
SCREW, PAN, 5X16	FOP-3-22	SEPARATOR ASSY., VAPOR	E-18-33	SPRING, RELIEF VALVE	E-5-9
SCREW, PAN, 5X16	FOP-3-2-25	SEPARATOR ASSY., WATER	E-18-2-6	SPRING, RELIEF VALVE	E-6-10-11
SCREW, PAN, 5X16	FOP-3-4-20	SHAFT ASSY., CLUTCH	E-21-13	SPRING, REMOTE CONTROL HANDLE	FOP-3-6-7
SCREW, PAN, 5X18	FOP-3-25	SHAFT ASSY., GEAR	E-21-15	SPRING, ROCKER ARM	E-9-10-10
SCREW, PAN, 5X18	FOP-3-2-28	SHAFT COMP., EX. ROCKER ARM	E-9-10-9	SPRING, SET	E-18-40
SCREW, PAN, 5X20	E-3-50	SHAFT COMP., FR. INTAKE ROCKER	E-9-10-8	SPRING, SHIFT	F-5-6
SCREW, PAN, 5X20	FOP-3-24	SHAFT COMP., INTAKE ROCKER ARM	E-9-10-	SPRING, SHIFT	F-5-1-6
SCREW, PAN, 5X20	FOP-3-2-27	SHAFT COMP., SHIFT(A)	F-2-8	SPRING, SHIFT CLICK	FOP-3-6-24
SCREW, PAN, 5X30	FOP-3-4-22	SHAFT COMP., SHIFT(B)	F-2-14	SPRING, SHIFT ROD	F-4-10
SCREW, PAN, 5X40	FOP-3-28	SHAFT, COVER OPEN	F-8-10-19	STAY COMP.	E-18-2-3
SCREW, PAN, 5X40	FOP-3-2-31	SHAFT, FR. LOCK	F-8-10-20	STAY, A.C. GENERATOR	E-19-16
SCREW, PAN, 5X40	FOP-4-23	SHAFT, PROPELLER	F-5-10	STAY, FUEL PIPE A	E-18-2-4
SCREW, PAN, 5X40	FOP-4-1-15	SHAFT, PROPELLER	F-5-1-10	STAY, FUEL PIPE B	E-18-2-5
SCREW, PAN, 5X55	FOP-3-2-32	SHAFT, THROTTLE BUTTON	FOP-3-4-9	STAY, FUEL STRAINER	E-18-2-18
SCREW, PAN, 5X65	FOP-3-34	SHAFT, TILTING	F-10-26	STAY, PLATE	E-18-8
SCREW, PAN, 5X65	FOP-3-2-39	SHAFT, VERTICAL(L)	F-4-14	STAY, PLATE	E-18-36
SCREW, PAN, 5X8	E-21-22	SHAFT, VERTICAL(XL)	F-4-	STAY, POWER TILT SWITCH	F-3-20-6
SCREW, PAN, 6X10	FOP-3-6-50	SHIFTER, CLUTCH	F-5-1	STAY, VACUUM TANK	E-18-43
SCREW, PAN, 6X18	E-4-27	SHIFTER, CLUTCH	F-5-1-1	STAY, WATER SEPARATOR	E-18-2-9
SCREW, PAN, 6X18	FOP-3-27	SHIM A, BEVEL(0.10)	F-5-18	STOPPER SET, SLEEVE	E-21-8
SCREW, PAN, 6X18	FOP-3-2-30	SHIM A, BEVEL(0.10)	F-5-1-18	STOPPER, LOWER MOUNT	F-3-20-18
SCREW, PAN, 6X22(SPECIAL)	E-21-21	SHIM A, GEAR(0.10)	F-4-21	STOPPER, TILT	F-10-29
SCREW, PAN, 6X25	F-3-20-	SHIM A, THRUST(0.10)	F-5-1-19	STRAINER ASSY., FUEL	E-18-2-13
SCREW, PAN, 6X35	FOP-3-4-23	SHIM A, THRUST(2.75)	F-5-19	STRAINER COMP., OIL	E-5-7
SCREW, PAN, 6X8	F-10-44	SHIM B, BEVEL(0.15)	F-5-	STRAINER, FUEL PUMP	E-18-10-7
SCREW, PAN, 6X8	F-10-77	SHIM B, BEVEL(0.15)	F-5-1-	SUB HARNESS ASSY., POWER	FOP-3-19
SCREW, PAN, 6X8	F-11-33	SHIM B, GEAR(0.15)	F-4-	SUB HARNESS ASSY., POWER	FOP-3-2-20
SCREW, RIVET, 5X10	F-10-45	SHIM B, THRUST(0.15)	F-5-1-	SUB HARNESS ASSY., POWER	FOP-3-2-21
SCREW, RIVET, 5X10	F-11-34	SHIM B, THRUST(2.80)	F-5-	SUB HARNESS ASSY., POWER	FOP-3-4-16
SCREW, SPECIAL, 6X35	F-3-20-33	SHIM C, BEVEL(0.30)	F-5-	SUSPENSION, COUPLER	F-7-2
SCREW, TAPPET ADJUSTING	E-9-10-14	SHIM C, BEVEL(0.30)	F-5-1-	SUSPENSION, STRAINER	E-18-2-19
SCREW, TAPPET ADJUSTING	E-9-10-15	SHIM C, GEAR(0.30)	F-4-	SUSPENSION, STRAINER	E-18-2-20
SCREW, TAPPING, 4X10	F-8-16	SHIM C, THRUST(0.30)	F-5-1-	SUSPENSION, STRAINER	E-18-10-8
SCREW, TAPPING, 4X10	F-8-17	SHIM C, THRUST(2.85)	F-5-	SWITCH ASSY., COMBINATION	FOP-3-6-38
SCREW, TAPPING, 5X10	FOP-3-6-71	SHIM D, BEVEL(0.50)	F-5-	SWITCH ASSY., COMBINATION	FOP-4-14
SCREW, TAPPING, 5X12	FOP-3-6-72	SHIM D, BEVEL(0.50)	F-5-1-	SWITCH ASSY., COMBINATION	FOP-4-1-7
SCREW, TAPPING, 5X20	E-15-25	SHIM D, GEAR(0.50)	F-4-	SWITCH ASSY., EMERGENCY STOP	FOP-3-6-41
SCREW, TAPPING, 5X25	FOP-3-6-74	SHIM D, THRUST(0.50)	F-5-1-	SWITCH ASSY., EMERGENCY STOP	FOP-4-1-5
SCREW, TAPPING, 5X8	FOP-3-6-70	SHIM D, THRUST(2.90)	F-5-	SWITCH ASSY., EMERGENCY STOP	FOP-4-1-8
SCREW, TAPPING, 6X16	FOP-3-6-73	SHIM E, THRUST(2.95)	F-5-	SWITCH ASSY., MAGNET	E-21-12

SWITCH ASSY., NEUTRAL	F-2-43	<W>		WRENCH, BOX(10MM)	F-13-11
SWITCH ASSY., OIL PRESSURE	E-3-22	WASHER	F-2-31	WRENCH, EYE, 19MM	F-13-12
SWITCH ASSY., OIL PRESSURE	E-3-23	WASHER B, THRUST, 14MM	F-2-29	WRENCH, HEX., 6MM	F-13-7
SWITCH ASSY., POWER TILT	F-3-20-5	WASHER, 10MM	F-10-61	WRENCH, PLUG.....	F-13-6
SWITCH ASSY., POWER TRIM-TILT	FOP-3-20	WASHER, 25MM	F-10-59	<Y>	
SWITCH ASSY., POWER TRIM-TILT	FOP-3-2-22	WASHER, 28MM	FOP-3-6-61	YOKE ASSY.....	F-11-8
SWITCH ASSY., POWER TRIM-TILT	FOP-3-2-23	WASHER, 30MM	F-3-20-43	YOKE COMP.....	E-21-5
SWITCH ASSY., POWER TRIM-TILT	FOP-3-4-17	WASHER, 6MM	FOP-3-6-59		
SWITCH ASSY., POWER TRIM-TILT	FOP-3-6-39	WASHER, 7/8INCH	F-10-58		
SWITCH KIT, LIGHT	FOP-4-3	WASHER, 8MM	FOP-2-10		
<T>		WASHER, AIR CLEANER COVER	F-2-1		
TAB, TRIM	F-3-9	WASHER, CONICAL SPRING(5)	E-14-10-11		
TACHOMETER HOUR METER (BLACK) ..	FOP-5-1-4	WASHER, DRAIN PLUG, 12MM.....	E-6-13		
TANK COMP., VACUUM	E-18-42	WASHER, LOCK, 5MM	FOP-3-30		
TANK, OIL	F-11-27	WASHER, LOCK, 5MM	FOP-3-2-35		
TENSIONER COMP., TIMING BELT	E-13-7	WASHER, LOCK, 5MM	FOP-3-4-26		
TERMINAL, CABLE	FOP-3-16	WASHER, LOCK, 6MM	FOP-3-32		
TERMINAL, CABLE	FOP-3-2-17	WASHER, LOCK, 6MM	FOP-3-2-37		
TERMINAL, CABLE	FOP-3-4-12	WASHER, PIVOT	F-2-4		
THERMOSTAT ASSY.	E-4-10	WASHER, PLAIN	E-18-24		
THROTTLE BODY ASSY.	E-15-3	WASHER, PLAIN	E-18-25		
TIE, CABLE.....	FOP-12-2	WASHER, PLAIN, 10MM	E-6-10-39		
TIE, CABLE(NATURAL)(2.4X92).....	FOP-3-6-37	WASHER, PLAIN, 10MM	F-3-20-47		
TIE, CABLE(NATURAL)(2.4X92).....	FOP-4-13	WASHER, PLAIN, 10MM	F-8-10-32		
T-JOINT	E-1-14	WASHER, PLAIN, 10MM	F-10-62		
T-JOINT	E-18-10-16	WASHER, PLAIN, 12MM	E-6-10-38		
TRAP, FLAME	E-15-6	WASHER, PLAIN, 12MM	F-3-23		
TRIM METER ASSY (BLACK).....	FOP-5-1-1	WASHER, PLAIN, 12MM	F-3-20-46		
TRIM-TILT ASSY., POWER	F-11-13	WASHER, PLAIN, 12MM	F-4-20		
TUBE A, AIR VENT	E-18-10-3	WASHER, PLAIN, 12MM	F-5-20		
TUBE B, AIR VENT	E-18-10-4	WASHER, PLAIN, 12MM	F-5-1-20		
TUBE B, BREATHER.....	E-1-31	WASHER, PLAIN, 12MM	F-8-14		
TUBE C, BREATHER.....	E-1-32	WASHER, PLAIN, 12MM	F-10-63		
TUBE COMP. A, BREATHER.....	E-1-30	WASHER, PLAIN, 12MM	F-10-64		
TUBE COMP. A, FUEL	F-8-20-4	WASHER, PLAIN, 14MM	F-3-20-44		
TUBE COMP. B, FUEL	E-18-2-10	WASHER, PLAIN, 4MM	FOP-3-6-55		
TUBE COMP. D, FUEL.....	E-18-2-11	WASHER, PLAIN, 5MM	FOP-3-31		
TUBE COMP. E, FUEL	E-18-2-12	WASHER, PLAIN, 5MM	FOP-3-33		
TUBE COMP. G, FUEL	E-1-12	WASHER, PLAIN, 5MM	FOP-3-2-36		
TUBE COMP., AIR VENT.....	E-18-10-5	WASHER, PLAIN, 5MM	FOP-3-2-38		
TUBE COMP., FUEL(C)	E-1-34	WASHER, PLAIN, 5MM	FOP-3-6-56		
TUBE KIT, SPEED SENSOR.....	F-10-2	WASHER, PLAIN, 5MM	FOP-3-6-57		
TUBE, 5X200.....	F-10-74	WASHER, PLAIN, 5MM	FOP-4-26		
TUBE, 5X950.....	F-10-75	WASHER, PLAIN, 5MM	FOP-4-1-18		
TUBE, CHECK VALVE	E-18-10-2	WASHER, PLAIN, 6MM	E-15-22		
TUBE, FLUSH VALVE	E-6-10-50	WASHER, PLAIN, 6MM	F-2-30		
TUBE, FUEL, 3.5X130	E-14-10-21	WASHER, PLAIN, 6MM	F-2-32		
TUBE, FUEL, 3.5X40	E-14-10-20	WASHER, PLAIN, 6MM	F-2-33		
TUBE, FUEL, 3.5X50	E-14-31	WASHER, PLAIN, 6MM	F-8-13		
TUBE, FUEL, 3.5X540	E-14-10-22	WASHER, PLAIN, 6MM	F-10-60		
TUBE, FUEL, 3.5X55	E-18-10-22	WASHER, PLAIN, 6MM	FOP-3-4-27		
TUBE, FUEL, 3.5X590	E-14-10-23	WASHER, PLAIN, 6MM	FOP-3-6-58		
TUBE, FUEL, 3.5X600	E-14-10-24	WASHER, PLAIN, 8MM	E-1-23		
TUBE, L. WATER RETURN	E-4-9	WASHER, PLAIN, 8MM	E-6-12		
TUBE, OIL.....	E-1-5	WASHER, PLAIN, 8MM	F-7-11-19		
TUBE, R. WATER RETURN	E-4-6	WASHER, PLAIN, 8MM	F-8-10-28		
TUBE, SPIRAL(12X14.6).....	F-11-4	WASHER, PLAIN, 8MM	F-8-10-34		
TUBE, VINYL, 3.5X6.5X350.....	E-18-2-34	WASHER, PLAIN, 8MM	FOP-3-6-60		
TUBE, VINYL, 3.5X6.5X600.....	E-18-10-23	WASHER, PROPELLER	F-5-17		
TUBE, WATER.....	E-4-8	WASHER, PROPELLER	F-5-1-17		
TUBE, WATER CHECK.....	E-6-10-49	WASHER, PROPELLER THRUST.....	F-5-15		
TUBE, WATER IN.....	E-18-10-14	WASHER, PROPELLER THRUST.....	F-5-1-15		
TUBE, WATER JOINT.....	F-3-20-52	WASHER, SEALING(22MM)	E-3-8		
TUBE, WATER OUTLET.....	E-18-10-15	WASHER, SEALING, 22MM.....	E-3-7		
TUBE, WATER RELIEF	E-4-7	WASHER, SEALING, 6MM.....	E-18-52		
TUBE, WATER(L)	F-4-7	WASHER, SPRING, 5MM	FOP-4-27		
TUBE, WATER(XL)	F-4-	WASHER, SPRING, 5MM	FOP-4-1-19		
<V>		WASHER, THRUST.....	E-7-10		
VALVE ASSY., AIR BYPASS	E-14-10-10	WASHER, THRUST.....	E-9-10-11		
VALVE ASSY., EAC.....	E-15-15	WASHER, THRUST BEARING	F-5-16		
VALVE ASSY., SPOOL.....	E-3-16	WASHER, THRUST BEARING	F-5-1-16		
VALVE ASSY., SPOOL.....	E-3-	WASHER, THRUST, 14MM	F-2-28		
VALVE COMP., MANUAL.....	F-11-23	WASHER, THRUST, 34MM	F-10-56		
VALVE COMP., RESERVOIR.....	F-11-24	WASHER, UPPER MOUNTING STOPPER ..	F-10-57		
VALVE SET, FLOAT	E-18-1	WASHER, WAVE, 10MM	F-8-10-33		
VALVE, CHECK	E-14-10-9	WASHER, WAVE, 12MM	F-10-54		
VALVE, CHECK	E-18-10-17	WASHER, WAVE, 26MM	F-10-55		
VALVE, EX.....	E-9-10-13	WASHER, WAVE, 40MM	F-10-53		
VALVE, FLASH	E-6-10-10	WASHER, WAVE, 8MM	F-8-10-39		
VALVE, IN.....	E-9-10-12	WHEEL, ACCELERATOR.....	FOP-3-6-20		
VALVE, RELIEF	E-5-8	WHEEL, CONTROL	FOP-3-6-13		
VALVE, RELIEF	E-6-10-9	WIRE, LEAD(1.5X116MM).....	F-10-9		
		WIRE, LEAD(1.5X116MM).....	F-11-11		

INDEX (Parts Number)

332-70201-0	F-6-8	HCO-94302-06100	E-9-21	HP0A-91303-A02	E-15-23	HPNA-91307-003	E-4-25
3C7-70217-0	F-6-5	HCO-94302-10160	E-5-21	HP0X-91321-003	E-3-47	HPPA-90009-E01	E-18-45
3C7-70220-1	F-6-2	HCO-94302-10160	E-6-10-51	HP13-31141-003	E-19-6	HPR3-91319-003	E-3-46
3C7-70224-1	F-6-3	HCO-94303-05080	E-3-52	HP13-31147-003	E-19-10	HPR7-31105-A01	E-19-1
3FF-70200-4	F-6-1-2	HCO-94305-30203	F-10-73	HP13-31148-003	E-19-12	HPR7-36361-A01	E-18-42
3GF-70211-1	F-6-4-2	HCO-94510-15000	F-5-29	HP5A-13115-000	E-7-4	HPT0-14744-004	E-9-10-15
3GF-70240-1	F-6-7-2	HCO-94510-15000	F-5-1-30	HP5A-31201-005	E-21-2	HPT0-31111-003	E-19-2
3GF-70241-1	F-6-6-2	HCO-94540-03029	FOP-3-6-77	HP5A-31243-005	E-21-14	HPT0-31114-013	E-19-3
3PU-72537-0	FOP-5-1-8	HCO-94540-04029	F-2-40	HP5G-16614-003	E-14-4	HPT0-31118-003	E-19-4
3PV-72571-0	FOP-5-1-1	HCO-94540-04029	FOP-3-6-78	HP8A-11812-A00	E-13-10-1	HPT0-31146-003	E-19-9
3PV-72637-0	FOP-5-1-4	HCO-94540-06029	F-8-10-38	HP8A-13204-A01	E-7-5	HPT0-31147-003	E-19-11
H121-51640-730	F-8-10-11	HCO-94540-06029	FOP-3-36	HP8A-13321-A01	E-7-9	HPT0-31148-003	E-19-13
H196-47117-000	F-8-10-10	HCO-94540-06029	FOP-3-2-41	HP8A-13322-A01	E-7	HPT0-90005-003	E-9-13
H341-38403-672	FOP-3-6-45	HCO-94540-06029	FOP-3-4-28	HP8A-13323-A01	E-7	HPT0-90206-004	E-9-10-24
H341-38403-672	FOP-4-20	HCO-94540-07029	FOP-3-6-79	HP8A-13324-A01	E-7	HPT0-90705-000	E-9-18
H341-38403-672	FOP-4-1-12	HCO-94540-10019	F-4-33	HP8A-13325-A01	E-7	HPT2-91005-N01	F-5-22
H355-89217-000	F-13-11	HCO-94540-12029	F-2-41	HP8A-13326-A01	E-7	HPT2-91005-N01	F-5-1-22
H371-89221-000	F-13-7	HCO-94540-15029	F-11-49	HP8A-13341-A01	E-7-11	HPW5-90701-000	E-5-16
H371-90009-015	E-6-10-25	HCO-95001-35040-40	E-14-10-20	HP8A-13342-A01	E-7	HPW5-90701-000	E-6-10-42
H663-38562-920	F-10-8	HCO-95001-35050-40	E-14-31	HP8A-13343-A01	E-7	HPXK-14711-000	E-9-10-12
H723-90472-000	F-4-20	HCO-95001-35055-40	E-18-10-22	HP8A-13344-A01	E-7	HPY3-17249-000	E-15-8
H759-16911-003	E-18-10-7	HCO-95001-35130-40	E-14-10-21	HP8A-13345-A01	E-7	HPY3-31215-004	E-21-4
H763-90681-A01	F-7-11-21	HCO-95001-35540-40	E-14-10-22	HP8A-13346-A01	E-7	HPY3-31218-004	E-21-6
H763-90681-A01	F-10-67	HCO-95001-35590-60	E-14-10-23	HP8A-14400-A01	E-13-6	HPZ1-12210-004	E-9-4
H800-91303-000	E-6-10-45	HCO-95001-35600-40	E-14-10-24	HP8A-14551-A01	E-13-13	HPZ1-12211-004	E-9-6
H805-91301-000	E-3-10-16	HCO-95003-05035-31	E-18-2-34	HP8A-14620-A01	E-9-10-5	HR70-13210-A10	E-7-6
H881-90110-000	F-10-42	HCO-95003-05060-31	E-18-10-23	HP8A-14626-A00	E-9-10-6	HRCA-14632-A00	E-9-10-9
H921-15611-000	E-3-10-4	HCO-95005-5020030	F-10-74	HP8A-14627-A00	E-9-10-7	HRCA-17055-A01	E-14-12
H921-17936-000	F-2-4	HCO-95005-5095030	F-10-75	HP8A-14631-A00	E-9-10	HRCA-17065-A01	E-14-14
H921-90302-000	F-3-20-41	HCO-95011-63000	F-3-20-56	HP8A-14645-A01	E-9-10-10	HRCA-90014-A01	E-3-30
H921-90302-000	FOP-3-6-53	HCO-95551-20000	F-8-2	HP8A-15115-A01	E-3-9	HRCA-90704-A00	E-13-26
H921-90302-000	FOP-4-24	HCO-95701-06014-09	E-5-22	HP8A-15140-A00	E-3-10	HRDV-14610-J00	E-9-10-4
H921-90302-000	FOP-4-1-16	HCO-95701-06018-09	E-5-23	HP8A-15142-A00	E-3-11	HRDV-14631-J00	E-9-10-8
H921-90504-010	F-8-13	HCO-95701-08030-09	E-5-24	HP8A-15150-A00	E-3-12	HRDV-14646-J00	E-9-10-11
H921-90504-010	FOP-3-6-58	HCO-95701-10070-09	E-6-10-52	HP8A-90003-A00	E-9-10-21	HRDV-14765-J00	E-9-10-18
H921-90511-000	F-10-62	HCO-95701-12120-09	E-6-10-53	HP8A-90004-A00	E-9-10-22	HRGL-13310-A00	E-7-8
H921-90512-010	FOP-3-6-59	HCO-96211-07000	F-5-30	HP8A-90017-A01	E-13-10-8	HRGM-14781-A01	E-9-10-20
H921-90514-000	FOP-2-10	HCO-96211-07000	F-5-1-31	HP8A-90031-A01	E-13-23	HRJA-14721-E00	E-9-10-13
H921-90518-000	F-8-10-34	HCO-96211-12000	F-5-31	HP8A-90701-A00	E-9-17	HRJA-90017-003	E-13-21
H921-90518-000	FOP-3-6-60	HCO-96211-12000	F-5-1-32	HP8A-91301-A00	E-9-20	HRKG-91213-003	E-9-19
H921-90602-000	E-18-2-28	HCO-96220-50080	E-5-25	HP8A-91308-A01	E-3-43	HRNA-30530-A01	E-3-18
H921-90602-000	F-10-65	HCO-9807B-5617C	E-20-2	HP8A-91309-A01	E-3-45	HRNA-37830-A01	E-14-10-12
H952-32901-770	FOP-3-6-37	HCO-98200-41000	F-7-30-9	HP8D-36165-J00	E-14-10-11	HRTA-15400-004	E-3-10-3
H952-32901-770	FOP-4-13	HCO-98200-41500	F-7-30-10	HP8E-14761-A01	E-9-10-16	H50A-91541-003	E-3-48
H958-90428-000	F-2-29	HCO-98200-43000	F-7-30-11	HP8E-14762-A01	E-9-10-17	H50A-91541-003	E-13-10-11
HCO-92101-05016-4J	FOP-3-6-68	HCO-99003-30000	F-13-8	HP8E-17105-A01	E-14-15	H50A-91541-003	F-2-44
HCO-92101-06055-4J	F-3-34	HCO-99003-30000	F-13-13	HP8F-13211-A11	E-7-7	H50A-91541-003	F-7-6
HCO-93500-05010-4J	FOP-3-6-69	HCO-99003-50000	F-13-3	HP8F-13212-A11	E-7	H50A-91541-003	F-7-11-24
HCO-93500-05016-4J	E-3-49	HCO-99006-19000	F-13-12	HP8F-13213-A11	E-7	H50A-91541-003	F-8-10-36
HCO-93500-05020-4J	E-3-50	HGCF-80106-670	F-8-20-3	HP8F-13214-A11	E-7	H50X-46392-A01	F-2-21
HCO-93500-05065-4J	FOP-3-34	HGHB-16163-600	E-18-2-2	HP8F-13215-A11	E-7	H5A0-90683-003	E-18-2-32
HCO-93500-05065-4J	FOP-3-2-39	HGHB-16163-610	E-6-10-1	HP8F-14820-A01	E-9	H5A0-90683-003	E-20-11-10
HCO-93500-06018-4J	E-4-27	HHA0-90402-000	F-2-28	HPC6-15233-000	E-5-10	H5A0-90683-003	F-3-20-50
HCO-93500-06025-4J	F-3-20	HHE0-50310-003	E-1-17	HPC6-91324-000	E-5-19	HSB0-90602-003	F-11-35
HCO-93600-06016-0A	E-5-20	HHW1-90207-671	E-6-10-37	HPD1-31138-004	E-19-5	HSB2-90620-003	F-7-11-20
HCO-93901-250J0	FOP-3-6-70	HHW1-90215-671	F-4-17	HPD1-31142-004	E-19-7	HSB2-90650-003	E-14-26
HCO-93901-251J0	FOP-3-6-71	HKE8-17251-690	F-8-1	HPD1-31145-004	E-19-8	HSB6-91475-000	FOP-3-6-65
HCO-93901-252J0	FOP-3-6-72	HKG4-90659-000	E-18-2-31	HPD1-90231-014	E-19-26	HSC2-90649-003	FOP-4-25
HCO-93903-254G0	E-15-25	HKM3-32161-003	F-10-6	HPD6-90430-003	E-18-52	HSC2-90649-003	FOP-4-1-17
HCO-93903-262J0	FOP-3-6-73	HKM3-32161-003	F-10-76	HPE0-15231-000	E-5-8	HSD2-90705-931	F-2-34
HCO-93905-255J0	FOP-3-6-74	HKN5-17224-670	F-2-1	HPEA-13111-000	E-7-3	HSD4-91356-952	E-4-26
HCO-93911-141J0	F-8-16	HKT7-91305-003	E-1-29	HPF0-91302-003	F-2-39	HSD9-54316-013	E-1-19
HCO-93913-141J0	F-8-17	HKY7-17450-740	E-18-10-10	HPG6-15232-000	E-5-9	HSDA-39794-004	F-7-30-5
HCO-94001-05490-05	FOP-3-35	HMB1-90655-921	E-18-10-20	HPG7-16741-005	E-14-7	HSE0-53740-953	E-1-18
HCO-94001-05490-05	FOP-3-2-40	HMG9-17201-000	E-14-10-7	HPGK-37835-A01	E-14-10-13	HSF4-89216-000	F-13-6
HCO-94001-06080-05	E-19-27	HMG9-35701-950	F-11-3	HPH1-90015-013	E-3-10-6	HSJ6-78419-003	E-14-18
HCO-94001-06490-05	FOP-3-6-75	HMG9-35701-950	FOP-3-6-40	HPH3-90011-000	E-5-14	HSK7-91566-003	E-1-33
HCO-94001-12490-05	F-10-72	HMJ0-91301-003	E-14-27	HPH7-90715-000	E-3-39	HSL0-91592-A51	E-18-10-21
HCO-94002-05490-05	FOP-3-6-76	HMJ0-91301-003	E-18-54	HPJ7-12204-305	E-9-2	HSTK-91540-003	FOP-12-3
HCO-94002-06490-05	F-8-18	HMJ0-91308-003	F-3-32	HPJ7-12205-305	E-9-3	HVM0-16965-771	E-18-10-9
HCO-94103-05400	FOP-4-26	HMJ0-91308-003	F-4-28	HPK1-91308-003	E-3-44	HZA0-90684-601	F-8-10-35
HCO-94103-05400	FOP-4-1-18	HML0-90101-720	F-8-10-28	HPLC-91301-000	E-14-28	HZB7-90691-003	E-1-28
HCO-94111-05400	FOP-4-27	HMM4-90105-000	FOP-3-6-50	HPM3-14744-000	E-9-10-14	HZB7-90691-003	E-18-53
HCO-94111-05400	FOP-4-1-19	HMM8-90502-610	F-8-10-32	HPM3-14775-000	E-9-10-19	HZC0-63515-700	F-8-10-24
HCO-94301-06100	E-3-51	HMT2-17193-000	E-1-14	HPM3-90206-004	E-9-10-23	HZE2-90601-000	E-6-13
HCO-94301-06100	E-13-28	HMT8-18334-770	FOP-4-4	HPM4-36145-004	E-14-10-9	HZV0-41122-000	E-13-18
HCO-94301-06100	E-15-26	HMT8-18334-770	FOP-4-1-2	HPNA-91214-014	E-3-41	HZV0-90604-000	E-1-27
HCO-94301-08140	E-3-10-17	HP01-91212-003	E-5-18	HPNA-91302-003	E-14-29	HZV0-90604-000	E-18-2-29
HCO-94301-10120	E-14-30	HP08-12342-004	E-1-4	HPNA-91307-003	E-3-42	HZV1-24210-010	F-10-4

HZV1-87538-C23	F-12-14	HZV5-90009-000.	F-8-10-26	HZW1-90116-702	F-11-32	HZW5-24831-U01	FOP-3-2-17
HZV4-12155-A00	E-3-4	HZV5-90012-013.	E-13-20	HZW1-90203-000	F-7-11-17	HZW5-24831-U01	FOP-3-4-12
HZV4-17704-010.	F-8-20-5	HZV5-90081-010.	E-3-37	HZW1-90242-000	F-4-18	HZW5-24832-U01	FOP-3-17
HZV4-24221-010.	F-10-5	HZV5-90081-010.	E-5-15	HZW1-90301-B00	F-5-14	HZW5-24832-U01	FOP-3-2-18
HZV4-36182-651.	FOP-3-6-42	HZV5-90110-000.	F-3-20-33	HZW1-90301-B00	F-5-1-14	HZW5-24832-U01	FOP-3-4-13
HZV4-36182-651.	FOP-4-16	HZV5-90119-000.	F-10-44	HZW1-90304-013	F-10-50	HZW5-24834-U01	FOP-3-18
HZV4-36182-651.	FOP-4-1-9	HZV5-90119-000.	F-10-77	HZW1-90308-003	F-3-22	HZW5-24834-U21	FOP-3-2-19
HZV4-36187-652.	FOP-3-6-43	HZV5-90119-000.	F-11-33	HZW1-90401-000	E-6-12	HZW5-32168-003	E-18-56
HZV4-36187-652.	FOP-4-17	HZV5-90125-000.	FOP-3-6-52	HZW1-90518-B00	F-4-21	HZW5-35370-U02	FOP-3-20
HZV4-36187-652.	FOP-4-1-10	HZV5-90127-003.	F-10-45	HZW1-90519-B00	F-4-	HZW5-35370-U02	FOP-3-2-22
HZV4-90127-000.	E-6-10	HZV5-90127-003.	F-11-34	HZW1-90520-B00	F-4-	HZW5-35370-U12	FOP-3-2-23
HZV4-90127-000.	F-2-26	HZV5-90131-000.	E-6-11	HZW1-90521-B00	F-4-	HZW5-35665-003	E-15-14
HZV4-90302-000.	F-3-20	HZV5-90302-003.	F-2-27	HZW1-90652-702	F-11-36	HZW5-90002-013	E-5-13
HZV4-90304-000.	FOP-3-6-54	HZV5-90304-013.	F-10-49	HZW1-90758-B00	F-3-26	HZW5-90011-010	E-19-22
HZV4-90502-000.	FOP-3-31	HZV5-90307-003.	F-10-52	HZW1-90758-B00	F-5-21	HZW5-90018-000	E-20-11-9
HZV4-90502-000.	FOP-3-2-36	HZV5-90501-000.	F-10-53	HZW1-90758-B00	F-5-1-21	HZW5-90018-000	F-7-30-7
HZV4-90502-000.	FOP-3-6-57	HZV5-90502-000.	F-10-55	HZW1-91054-B31	F-4-25	HZW5-90021-U00	FOP-7-2
HZV4-90506-000.	F-2-30	HZV5-90504-000.	F-10-56	HZW1-91207-013	F-11-38	HZW5-90023-000	F-2-24
HZV4-90512-000.	F-2-33	HZV5-90552-000.	F-10-63	HZW1-91352-702	F-11-41	HZW5-90101-U00	FOP-3-22
HZV4-90512-000.	F-10-60	HZV5-90557-000.	FOP-3-6-61	HZW1-91353-703	F-11-42	HZW5-90101-U00	FOP-3-2-25
HZV4-90514-000.	F-10-61	HZV5-90559-000.	E-6-10-38	HZW1-91354-701	F-11-43	HZW5-90101-U00	FOP-3-4-20
HZV4-90603-000.	E-6-10-40	HZV5-90559-000.	F-3-23	HZW1-91355-701	F-11-44	HZW5-90102-U00	FOP-3-23
HZV4-90605-000.	E-6-10-41	HZV5-90559-000.	F-3-20-46	HZW1-91357-701	F-11-45	HZW5-90102-U00	FOP-3-2-26
HZV4-90605-000.	E-18-2-30	HZV5-90559-000.	F-5-20	HZW1-91358-701	F-11-46	HZW5-90103-U01	FOP-3-24
HZV4-90605-000.	F-3-20-48	HZV5-90559-000.	F-5-1-20	HZW1-91361-701	F-11-47	HZW5-90103-U01	FOP-3-2-27
HZV5-12155-000.	E-4-1	HZV5-90559-000.	F-10-64	HZW1-91554-000	E-18-55	HZW5-90104-U00	FOP-3-25
HZV5-12214-000.	E-3-8	HZV5-90563-000.	E-6-10-39	HZW1-91554-000	F-8-10-37	HZW5-90104-U00	FOP-3-2-28
HZV5-24811-010.	FOP-3-6-2	HZV5-90563-000.	F-3-20-47	HZW1-91557-701	F-11-48	HZW5-90105-U01	FOP-3-26
HZV5-24812-000.	FOP-3-6-3	HZV5-90651-000.	F-10-66	HZW2-90003-000	E-20-11-7	HZW5-90105-U01	FOP-3-2-29
HZV5-24813-000.	FOP-3-6-5	HZV5-90751-000.	FOP-3-6-62	HZW2-90003-000	F-7-11-12	HZW5-90106-U00	FOP-3-27
HZV5-24814-010.	FOP-3-6-4	HZV5-90756-000.	F-3-25	HZW4-90108-000	FOP-3-6-51	HZW5-90106-U00	FOP-3-2-30
HZV5-24815-010.	FOP-3-6-6	HZV5-90756-000.	F-3-20-51	HZW4-90126-000	E-1-35	HZW5-90107-U00	FOP-3-28
HZV5-24816-000.	FOP-3-6-7	HZV5-90756-000.	F-4-23	HZW4-90146-000	E-4-19	HZW5-90107-U00	FOP-3-2-31
HZV5-24817-000.	FOP-3-6-8	HZV5-90772-000.	FOP-3-6-63	HZW4-90147-000	E-3-10-14	HZW5-90108-U00	FOP-3-2-32
HZV5-24818-003.	FOP-3-6-9	HZV5-91151-000.	FOP-3-6-64	HZW4-90155-000	E-4-20	HZW5-90109-000	FOP-4-23
HZV5-24820-010.	FOP-3-6-10	HZV5-91203-821.	F-11-37	HZW4-90156-000	E-3-38	HZW5-90109-000	FOP-4-1-15
HZV5-24830-010.	FOP-3-6-11	HZV5-91256-003.	F-10-69	HZW4-90156-000	E-14-10-18	HZW5-90203-010	E-19-25
HZV5-24836-000.	FOP-3-6-12	HZV5-91302-821.	F-11-39	HZW4-90306-003	F-10-51	HZW5-90301-U00	FOP-3-29
HZV5-24841-000.	FOP-3-6-13	HZV5-91316-821.	F-11-40	HZW4-90401-000	FOP-3-6-55	HZW5-90301-U00	FOP-3-2-33
HZV5-24845-000.	FOP-3-6-14	HZV5-91352-000.	F-10-70	HZW4-90402-000	FOP-3-6-56	HZW5-90302-003	F-10-48
HZV5-24850-000.	FOP-3-6-15	HZV5-91553-010.	E-15-24	HZW4-91301-003	F-3-30	HZW5-90302-U21	FOP-3-2-34
HZV5-24854-000.	FOP-3-6-16	HZV5-91553-010.	E-20-5	HZW4-91301-003	F-3-31	HZW5-90501-U00	FOP-3-30
HZV5-24855-000.	FOP-3-6-17	HZV5-91553-010.	E-20-11-11	HZW5-06241-U00	FOP-3-2	HZW5-90501-U00	FOP-3-2-35
HZV5-24860-000.	FOP-3-6-18	HZV5-91553-010.	F-7-11-25	HZW5-06241-U10	FOP-3-2-2	HZW5-90501-U00	FOP-3-4-26
HZV5-24865-000.	FOP-3-6-19	HZV5-91563-000.	F-3-20-54	HZW5-06352-U01	FOP-4-3	HZW5-90502-U00	FOP-3-32
HZV5-24875-000.	FOP-3-6-20	HZV5-91567-000.	FOP-3-6-66	HZW5-06352-U01	FOP-4-3	HZW5-90502-U00	FOP-3-2-37
HZV5-24876-000.	FOP-3-6-21	HZV5-91570-000.	FOP-3-6-67	HZW5-16081-010	E-18-20	HZW5-90503-U00	FOP-3-33
HZV5-24878-000.	FOP-3-6-22	HZV7-90508-000.	F-2-31	HZW5-16086-000	E-18-23	HZW5-90503-U00	FOP-3-2-38
HZV5-24881-000.	FOP-3-6-23	HZV7-90951-010.	F-10-68	HZW5-16087-000	E-18-24	HZW5-90509-711	F-5-16
HZV5-24883-000.	FOP-3-6-24	HZW1-06411-020	F-10-1	HZW5-16715-023	E-18-29	HZW5-90509-711	F-5-1-16
HZV5-24884-000.	FOP-3-6-25	HZW1-15631-000	E-3-10-5	HZW5-16733-000	E-18-34	HZW5-90511-U00	FOP-7-3
HZV5-24885-000.	FOP-3-6-26	HZW1-19286-B00	F-3-2	HZW5-16915-000	E-18-10-8	HZW5-90512-U00	FOP-7-4
HZV5-24887-000.	FOP-3-6-27	HZW1-24210-010	F-2-5	HZW5-19291-000	E-6-10-9	HZW5-90548-710	F-5-1-19
HZV5-24891-000.	FOP-3-6-28	HZW1-24327-000	F-2-7	HZW5-19292-000	E-6-10-11	HZW5-90549-710	F-5-1-
HZV5-24892-000.	FOP-3-6-29	HZW1-24343-802	F-4-12	HZW5-19297-000	E-6-10-15	HZW5-90550-710	F-5-1-
HZV5-24894-000.	FOP-3-6-30	HZW1-24629-000	F-2-17	HZW5-24810-U01	FOP-3-3	HZW5-90551-710	F-5-1-
HZV5-24895-000.	FOP-3-6-31	HZW1-31226-004	E-21-7	HZW5-24810-U01	FOP-3-2-3	HZW5-90601-030	E-18-10-18
HZV5-24897-000.	FOP-3-6-32	HZW1-31229-004	E-21-8	HZW5-24810-U11	FOP-3-2-4	HZW5-91201-003	E-5-17
HZV5-24898-000.	FOP-3-6-33	HZW1-31231-004	E-21-9	HZW5-24811-U01	FOP-3-4	HZW5-91202-003	E-6-10-44
HZV5-32823-003.	FOP-3-6-35	HZW1-36104-003	F-11-4	HZW5-24811-U01	FOP-3-2-5	HZW5-91251-003	F-2-37
HZV5-32823-003.	FOP-4-11	HZW1-38551-000	F-7-11-10	HZW5-24812-U01	FOP-3-5	HZW7-24810-U01	FOP-3-4-2
HZV5-32823-003.	FOP-4-1-5	HZW1-40107-700	F-11-10	HZW5-24812-U01	FOP-3-2-6	HZW7-24811-U01	FOP-3-4-3
HZV5-32824-003.	FOP-3-6-36	HZW1-40209-000	F-3-20-11	HZW5-24813-U01	FOP-3-6	HZW7-24812-U01	FOP-3-4-4
HZV5-32824-003.	FOP-4-12	HZW1-41102-B00	F-3-5	HZW5-24813-U01	FOP-3-2-7	HZW7-24813-U01	FOP-3-4-5
HZV5-32824-003.	FOP-4-1-6	HZW1-41109-B00	F-3-10	HZW5-24813-U21	FOP-3-2-8	HZW7-24814-U01	FOP-3-4-6
HZV5-35370-823.	FOP-3-6-39	HZW1-56110-701	F-11-15	HZW5-24814-U01	FOP-3-7	HZW7-24815-U01	FOP-3-4-7
HZV5-36136-821.	F-11-9	HZW1-56113-701	F-11-16	HZW5-24814-U01	FOP-3-2-9	HZW7-24817-U01	FOP-3-4-9
HZV5-36180-033.	FOP-3-6-41	HZW1-56116-701	F-11-18	HZW5-24815-U01	FOP-3-8	HZW7-24832-U01	FOP-3-4-14
HZV5-36180-033.	FOP-4-1-5	HZW1-56130-702	F-11-22	HZW5-24816-U01	FOP-3-9	HZW7-24833-U01	FOP-3-4-15
HZV5-36180-033.	FOP-4-1-8	HZW1-56180-701	F-11-24	HZW5-24816-U01	FOP-3-2-10	HZW7-32530-U00	FOP-3-19
HZV5-38410-003.	FOP-3-6-46	HZW1-56539-000	F-10-33	HZW5-24816-U01	FOP-3-4-8	HZW7-32530-U00	FOP-3-2-20
HZV5-38410-003.	FOP-4-21	HZW1-56851-703	F-11-27	HZW5-24817-U01	FOP-3-10	HZW7-32530-U10	FOP-3-2-21
HZV5-38410-003.	FOP-4-1-13	HZW1-56860-701	F-11-28	HZW5-24817-U01	FOP-3-2-11	HZW7-32530-U20	FOP-3-4-16
HZV5-40102-000.	E-15-16	HZW1-90013-000	E-15-17	HZW5-24818-U01	FOP-3-11	HZW7-35370-U02	FOP-3-4-17
HZV5-40107-000.	F-3-20-7	HZW1-90013-000	F-7-11-13	HZW5-24818-U01	FOP-3-2-12	HZW7-87703-U00	FOP-3-4-19
HZV5-41171-000.	F-10-10	HZW1-90014-000	E-18-46	HZW5-24819-U01	FOP-3-12	HZW7-90101-U01	FOP-3-4-21
HZV5-41172-000.	F-10-11	HZW1-90102-000	F-10-36	HZW5-24819-U01	FOP-3-2-13	HZW7-90102-U01	FOP-3-4-22
HZV5-50214-003.	F-11-12	HZW1-90106-004	E-21-21	HZW5-24819-U01	FOP-3-14	HZW7-90103-U01	FOP-3-4-23
HZV5-56117-821.	F-11-19	HZW1-90107-004	E-21-22	HZW5-24825-U01	FOP-3-2-15	HZW7-90104-U01	FOP-3-4-24
HZV5-56118-820.	F-11-20	HZW1-90108-000	F-10-41	HZW5-24826-U01	FOP-3-15	HZW7-90301-U01	FOP-3-4-25
HZV5-56513-000.	F-11-25	HZW1-90113-702	F-11-29	HZW5-24826-U01	FOP-3-2-16	HZW7-90502-U00	FOP-3-4-27
HZV5-82873-003.	F-3-20-30	HZW1-90114-702	F-11-30	HZW5-24826-U01	FOP-3-4-10	HZW9-19279-000	E-6-10-8
HZV5-90009-000.	E-6-8	HZW1-90115-702	F-11-31	HZW5-24831-U01	FOP-3-16	HZW9-19291-000	E-6-10-10

HZW9-19297-000 E-6-10-16
 HZW9-32114-730 E-1-15
 HZW9-32114-730 E-3-19
 HZW9-35490-003 E-3-22
 HZW9-87702-800 FOP-3-6-48
 HZW9-90005-000 F-10-34
 HZW9-90008-000 FOP-3-6-49
 HZW9-90009-000 F-10-35
 HZW9-90011-000 E-1-20
 HZW9-90011-000 E-13-19
 HZW9-90011-000 F-2-22
 HZW9-90013-000 F-7-3
 HZW9-90013-000 F-7-11-14
 HZW9-90014-000 E-18-2-26
 HZW9-90014-000 E-20-11-8
 HZW9-90014-000 F-7-11-15
 HZW9-90016-000 E-14-19
 HZW9-90016-000 E-18-47
 HZW9-90019-000 E-1-21
 HZW9-90019-000 E-3-32
 HZW9-90019-000 E-4-16
 HZW9-90019-000 E-14-20
 HZW9-90101-003 F-3-11
 HZW9-90102-000 F-2-25
 HZW9-90102-000 F-8-10-29
 HZW9-90103-010 F-10-37
 HZW9-90105-000 F-8-10
 HZW9-90105-000 F-8-10-30
 HZW9-90105-000 F-10-40
 HZW9-90506-000 F-8-10-33
 HZX1-90133-R00 F-8-12
 HZX2-15655-000 E-3-53
 HZX2-16020-003 E-18-4
 HZX2-16024-003 E-18-2-1
 HZX2-16030-003 E-18-7
 HZX2-16700-003 E-1-9
 HZX2-16701-003 E-18-27
 HZX2-16730-003 E-18-33
 HZX2-16736-003 E-18-2-3
 HZX2-16800-003 E-18-2-6
 HZX2-16805-003 E-18-2-7
 HZX2-16814-000 E-18-2-9
 HZX2-16850-C00 F-8-20-4
 HZX2-16860-C00 E-18-2-10
 HZX2-16870-C00 E-1-34
 HZX2-16880-C00 E-18-2-11
 HZX2-16890-C00 E-18-2-12
 HZX2-16900-003 E-18-2-13
 HZX2-16912-003 E-18-2-17
 HZX2-16914-000 E-18-2-18
 HZX2-16940-003 E-18-2-25
 HZX2-30416-000 E-20-11-1
 HZX2-30520-003 E-20-1
 HZX2-32100-010 F-7-
 HZX2-32166-003 E-18-41
 HZX2-32410-000 F-7-11-3
 HZX2-32414-300 F-7-11-5
 HZX2-32415-000 F-7-11-7
 HZX2-32435-000 F-7-11-8
 HZX2-35470-013 F-2-43
 HZX2-36120-003 F-11-5
 HZX2-36129-003 F-11-8
 HZX2-38228-003 F-7-30-3
 HZX2-38550-003 F-7-11-9
 HZX2-38552-000 F-7-11-11
 HZX2-41102-E00ZC F-3-6
 HZX2-41107-C00ZC F-3-9
 HZX2-56000-013 F-11-13
 HZX2-63119-C00 F-8-8
 HZX2-63260-C00 F-8-10-23
 HZX2-63719-C00 F-3-20-23
 HZX2-87117-C00 F-12-16
 HZX2-90002-000 E-19-21
 HZX2-90101-C00 F-2-42
 HZX2-90102-C00 F-3-20-57
 HZX2-90105-C00 F-4-16
 HZX2-90107-C00 F-3-35
 HZX2-90129-000 F-10-46
 HZX2-90502-003 F-8-10-39
 HZX2-90683-003 E-18-2-33
 HZX2-90683-003 F-7-11-22
 HZY1-90205-000 F-3-19
 HZY1-90205-000 F-10-47
 HZY1-90650-003 FOP-12-2
 HZY2-14111-A00 E-9-10-1
 HZY2-14211-A00 E-9-10-2
 HZY2-15810-000ZA E-3-16
 HZY2-15825-000 E-3-17
 HZY2-32100-H01 F-7-1
 HZY2-34750-E01 E-20-11-4
 HZY2-63100-R00ZA F-8-3
 HZY2-87121-R00 F-12-3
 HZY2-87132-R00 F-12-6
 HZY2-87133-R00 F-12-18
 HZY3-06125-C00 F-3-1
 HZY3-06192-000 FOP-2-1
 HZY3-06193-010 FOP-2-2
 HZY3-06412-000 F-10-2
 HZY3-06532-U00 F-10-3
 HZY3-11100-415 E-3-10-1
 HZY3-11200-010ZA E-3-1
 HZY3-11300-C00 E-3-2
 HZY3-11311-010ZA E-6-1
 HZY3-11381-013 E-6-2
 HZY3-11820-000 E-13-10-2
 HZY3-11840-010 E-13-10-3
 HZY3-11861-000 E-13-10-4
 HZY3-11871-000 E-13-10-5
 HZY3-11911-010 E-3-10-2
 HZY3-11911-010 E-9-1
 HZY3-12000-436ZA E-3-3
 HZY3-12155-000 E-3-5
 HZY3-12164-000 E-3-6
 HZY3-12171-305 E-3-7
 HZY3-12210-010ZA E-9-5
 HZY3-12231-000 E-9-7
 HZY3-12241-000 E-9-8
 HZY3-12251-A01 E-9-9
 HZY3-12310-405ZA E-1-1
 HZY3-12312-000 E-1-2
 HZY3-12320-405ZA E-1-3
 HZY3-13010-A00 E-7-1
 HZY3-13011-A00 E-7-
 HZY3-13101-A00 E-7-2
 HZY3-13102-A00 E-7-
 HZY3-13331-A03 E-7-10
 HZY3-13621-C01 E-13-1
 HZY3-13622-C00 E-13-2
 HZY3-13811-A00 E-13-3
 HZY3-14111-A00 E-9-10
 HZY3-14211-A00 E-9-10
 HZY3-14261-C00 E-13-4
 HZY3-14270-C00 E-13-5
 HZY3-14436-000 E-9-10-3
 HZY3-14510-003 E-13-7
 HZY3-14515-000 E-13-8
 HZY3-14520-000 E-13-9
 HZY3-14526-405ZA E-13-10
 HZY3-14529-000 E-13-11
 HZY3-14550-003 E-13-12
 HZY3-14553-003 E-13-14
 HZY3-14555-003 E-13-15
 HZY3-14820-405 E-9-10
 HZY3-15100-000ZA E-5-1
 HZY3-15112-013 E-5-2
 HZY3-15113-000 E-5-3
 HZY3-15121-000 E-5-4
 HZY3-15131-405 E-5-5
 HZY3-15132-405 E-5-6
 HZY3-15220-020 E-5-7
 HZY3-15425-010 E-1-5
 HZY3-15656-000 E-3-14
 HZY3-15657-000 E-3-15
 HZY3-15810-003ZA E-3-
 HZY3-15825-003 E-3-
 HZY3-16011-A01 E-18-1
 HZY3-16013-000 E-18-2
 HZY3-16015-000 E-18-3
 HZY3-16016-003 E-15-1
 HZY3-16024-000 E-18-5
 HZY3-16026-000 E-18-6
 HZY3-16031-010 E-18-8
 HZY3-16036-003 E-18-9
 HZY3-16041-000 E-18-10
 HZY3-16042-000 E-18-11
 HZY3-16061-000 E-18-12
 HZY3-16072-000 E-18-13
 HZY3-16073-000 E-18-14
 HZY3-16074-000 E-18-15
 HZY3-16075-000 E-18-16
 HZY3-16076-000 E-18-17
 HZY3-16077-000 E-18-18
 HZY3-16078-000 E-18-19
 HZY3-16082-000 E-18-21
 HZY3-16083-000 E-18-22
 HZY3-16087-000 E-18-25
 HZY3-16088-000 E-18-26
 HZY3-16176-000 E-15-2
 HZY3-16193-A00 E-18-10-1
 HZY3-16196-A00 E-18-10-2
 HZY3-16197-000 E-18-10-3
 HZY3-16198-A00 E-18-10-4
 HZY3-16199-A00 E-18-10-5
 HZY3-16203-000 E-1-7
 HZY3-16400-A01 E-15-3
 HZY3-16404-000 E-15-4
 HZY3-16405-000 E-15-5
 HZY3-16451-000 E-14-2
 HZY3-16611-A00 E-14-3
 HZY3-16620-A00 E-14-5
 HZY3-16708-000 E-18-28
 HZY3-16721-000 E-18-31
 HZY3-16733-000 E-18-35
 HZY3-16734-000 E-18-36
 HZY3-16735-004 E-18-37
 HZY3-16740-A01 E-14-6
 HZY3-16751-000 E-18-10-6
 HZY3-16752-000 E-18-38
 HZY3-16752-A00 E-14-8
 HZY3-16753-000 E-18-2-4
 HZY3-16754-000 E-18-2-5
 HZY3-16755-003 E-14-9
 HZY3-16757-003 E-14-10
 HZY3-16807-003 E-18-2-8
 HZY3-16895-C00 E-1-12
 HZY3-16904-003 E-18-2-15
 HZY3-16911-010 E-18-39
 HZY3-16913-000 E-18-40
 HZY3-16915-010 E-18-2-19
 HZY3-16918-003 E-18-2-21
 HZY3-16919-003 E-18-2-23
 HZY3-17051-A00 E-14-11
 HZY3-17061-A00 E-14-13
 HZY3-17105-004 E-14-10-1
 HZY3-17108-000 E-14-16
 HZY3-17109-004 E-14-10-2
 HZY3-17110-003 E-14-10-3
 HZY3-17113-003 E-14-10-4
 HZY3-17130-003ZA E-14-10-5
 HZY3-17138-004 E-14-10-6
 HZY3-17203-000 E-15-6
 HZY3-17207-300 E-15-7
 HZY3-17372-000 E-15-10
 HZY3-17373-010 E-15-11
 HZY3-17374-010 E-15-12
 HZY3-17721-000 E-18-10-11
 HZY3-17723-A01 E-18-10-12
 HZY3-17724-010 E-18-10-13
 HZY3-17738-000 F-8-20-2
 HZY3-17877-000 F-2-2
 HZY3-17910-013 E-15-13
 HZY3-17931-000 F-2-3
 HZY3-18110-010ZA E-4-2
 HZY3-18115-003 E-4-3
 HZY3-18120-C01ZA E-4-4
 HZY3-18125-003 E-4-5
 HZY3-18141-A00ZA E-6-10-2
 HZY3-18148-003 E-6-10-3
 HZY3-18149-A01 E-6-10-4
 HZY3-18151-A00ZA E-6-10-5
 HZY3-18330-020 E-6-3
 HZY3-18333-020 E-6-4
 HZY3-18340-020 E-6-5
 HZY3-19210-003 F-4-1
 HZY3-19210-003 FOP-2-3
 HZY3-19221-010 F-4-2
 HZY3-19221-010 FOP-2-4
 HZY3-19223-000 F-4-3
 HZY3-19223-000 FOP-2-5
 HZY3-19231-000 F-4-4
 HZY3-19231-000 FOP-2-6
 HZY3-19234-000 F-4-5
 HZY3-19234-000 FOP-2-7
 HZY3-19241-000 F-4-6
 HZY3-19251-000 F-4-7
 HZY3-19251-611 F-4-
 HZY3-19252-000 E-6-6
 HZY3-19253-000 F-4-8
 HZY3-19253-000 FOP-2-8
 HZY3-19254-000 E-6-7
 HZY3-19255-000 E-4-6
 HZY3-19256-010 E-4-7
 HZY3-19257-000 E-4-8
 HZY3-19258-010 E-18-10-14
 HZY3-19259-000 E-18-10-15
 HZY3-19261-000 E-4-9
 HZY3-19270-000 F-3-20-1
 HZY3-19271-000 F-3-20-2
 HZY3-19272-000 F-3-20-3
 HZY3-19277-000ZA E-6-10-6
 HZY3-19278-000 E-6-10-7
 HZY3-19289-000 F-3-20-4
 HZY3-19294-000ZB E-6-10-12
 HZY3-19295-000 E-6-10-13
 HZY3-19296-000 E-6-10-14
 HZY3-19297-000 E-6-10-17
 HZY3-19298-000ZB E-6-10-18
 HZY3-19300-023 E-4-10
 HZY3-19315-020ZA E-4-11
 HZY3-19319-A00ZA E-4-12
 HZY3-19361-000 E-6-10-19
 HZY3-19362-000 E-6-10-20
 HZY3-19366-000 E-6-10-21
 HZY3-23170-030ZA E-6-10-22
 HZY3-23172-003 E-6-10-23
 HZY3-23173-010 E-6-10-24
 HZY3-24101-A01 F-5-1
 HZY3-24101-A01 F-5-1-1
 HZY3-24102-000 F-5-2
 HZY3-24102-000 F-5-1-2
 HZY3-24103-000 F-5-3
 HZY3-24103-000 F-5-1-3
 HZY3-24113-A01 F-5-4
 HZY3-24113-A01 F-5-1-4
 HZY3-24122-A01 F-5-5
 HZY3-24122-A01 F-5-1-5
 HZY3-24123-000 F-5-6
 HZY3-24123-000 F-5-1-6
 HZY3-24124-310 F-5-7
 HZY3-24124-310 F-5-1-7
 HZY3-24221-000 F-2-6
 HZY3-24310-C00 F-4-9
 HZY3-24310-E00 F-4-
 HZY3-24318-000 F-4-10
 HZY3-24610-A00 F-2-8
 HZY3-24612-010 F-2-9
 HZY3-24613-000 F-2-10
 HZY3-24617-000 F-2-11
 HZY3-24618-000 F-2-12
 HZY3-24619-000 F-2-13
 HZY3-24620-000 F-2-14
 HZY3-24623-000 F-2-15
 HZY3-24628-000 F-2-16
 HZY3-30280-003 F-11-1
 HZY3-31106-003 F-11-2
 HZY3-31110-000ZA E-5-11
 HZY3-31116-000 E-5-12
 HZY3-31200-003 E-21-1
 HZY3-31207-003 E-21-3
 HZY3-31216-003 E-21-5
 HZY3-31235-003 E-21-10
 HZY3-31236-003 E-21-11
 HZY3-31240-003 E-21-12
 HZY3-31242-003 E-21-13
 HZY3-31246-003 E-21-15
 HZY3-31247-003 E-21-16
 HZY3-31249-003 E-21-17
 HZY3-31250-003 E-21-18
 HZY3-31630-003 E-19-14
 HZY3-31631-003 E-19-15
 HZY3-31637-000 E-19-16
 HZY3-31638-003 E-13-16

HZY3-31639-003.E-19-17
 HZY3-31694-003.E-19-18
 HZY3-31710-003.E-19-19
 HZY3-31750-003.E-19-20
 HZY3-32111-010.E-13-17
 HZY3-32112-000.E-14-17
 HZY3-32116-000.E-3-20
 HZY3-32128-000.E-14-10-8
 HZY3-32129-000.E-1-16
 HZY3-32193-C00.E-3-21
 HZY3-32370-H01.F-7-30-1
 HZY3-32371-H01.F-7-30-2
 HZY3-32411-003.F-7-11-4
 HZY3-32419-A00.F-8-10-1
 HZY3-32421-000.F-8-10-2
 HZY3-34750-E01.E-20-11-1
 HZY3-34754-C00.E-20-11-5
 HZY3-35476-010.F-2-19
 HZY3-35477-000.F-2-20
 HZY3-35490-004.E-3-23
 HZY3-35640-013.F-3-20-5
 HZY3-35645-000.F-3-20-6
 HZY3-35655-C01.E-4-13
 HZY3-35660-003.F-10-7
 HZY3-35673-003.E-3-24
 HZY3-35673-003.E-4-14
 HZY3-35695-003.E-13-10-6
 HZY3-35700-003.E-3-25
 HZY3-36122-013.F-11-6
 HZY3-36123-013.F-11-7
 HZY3-36163-003.E-14-10-10
 HZY3-36362-000.E-18-43
 HZY3-36550-003.E-15-15
 HZY3-36620-000.E-18-44
 HZY3-40105-C01.F-8-10-3
 HZY3-40114-010.F-3-20-8
 HZY3-40119-003.F-8-10-4
 HZY3-40151-000ZC.F-3-20-9
 HZY3-40154-000ZA.F-8-10-5
 HZY3-40155-000.F-8-10-6
 HZY3-40157-000.F-8-10-7
 HZY3-40158-000.F-8-10-8
 HZY3-40159-000.F-8-10-9
 HZY3-40201-020ZC.F-3-20-10
 HZY3-40201-612ZC.F-3-20-10
 HZY3-40204-000.F-4-13
 HZY3-40210-610.F-3-20-12
 HZY3-40212-010ZC.F-3-20-13
 HZY3-40212-611ZC.F-3-20-13
 HZY3-40219-013.F-10-9
 HZY3-40219-013.F-11-11
 HZY3-40225-010.F-3-20-14
 HZY3-40226-010.F-3-20-15
 HZY3-41100-C03ZC.F-3-10-1
 HZY3-41100-C13ZC.F-3-10-1
 HZY3-41100-E03ZC.F-3-10-1
 HZY3-41101-C00ZC.F-3-4
 HZY3-41104-C01.F-3-7
 HZY3-41105-C01.F-3-8
 HZY3-41112-010.F-4-14
 HZY3-41112-611.F-4-14
 HZY3-41116-000.F-4-15
 HZY3-41130-C00.F-5-8
 HZY3-41130-E00.F-5-1-8
 HZY3-41150-E00.F-5-1-9
 HZY3-41151-C00.F-5-9
 HZY3-41161-A00.F-5-10
 HZY3-41161-B00.F-5-1-10
 HZY3-41179-A00.F-10-12
 HZY3-41201-C00ZC.F-5-11
 HZY3-41201-C00ZC.F-5-1-11
 HZY3-41202-000.F-5-12
 HZY3-41202-700.F-5-1-12
 HZY3-50100-A01.F-10-13
 HZY3-50100-A11.F-10-13
 HZY3-50109-000.F-10-14
 HZY3-50111-020.F-3-20-16
 HZY3-50151-000.F-10-15
 HZY3-50153-000.F-10-16
 HZY3-50155-000.F-3-20-17
 HZY3-50157-010.F-3-20-18
 HZY3-50161-000ZD.F-10-17
 HZY3-50161-610.F-10-17
 HZY3-50166-000.F-10-18
 HZY3-50168-000.F-10-19
 HZY3-50201-C01ZD.F-10-20
 HZY3-50201-C11ZC.F-10-20
 HZY3-50209-A00.F-10-21
 HZY3-50211-000.F-10-22
 HZY3-50214-000.F-10-23
 HZY3-50301-030ZC.F-10-24
 HZY3-50311-020ZC.F-10-25
 HZY3-50381-000.F-10-26
 HZY3-50388-U00.FOP-9-1
 HZY3-50388-U10.FOP-9-2
 HZY3-50522-000.F-10-27
 HZY3-50527-000.F-10-28
 HZY3-50529-000.F-10-29
 HZY3-56100-013.F-11-14
 HZY3-56120-013.F-11-21
 HZY3-56170-013.F-11-23
 HZY3-56516-A00.F-10-30
 HZY3-56518-A00.F-10-31
 HZY3-56519-A00.F-10-32
 HZY3-56532-000.F-11-26
 HZY3-58130-T00.FOP-10-1
 HZY3-58130-T10.FOP-10-1
 HZY3-58130-T20.FOP-10-1
 HZY3-58130-T30.FOP-10-1
 HZY3-58130-T40.FOP-10-1
 HZY3-58130-T50.FOP-10-1
 HZY3-58130-V01ZA.FOP-10-1
 HZY3-58130-V11ZA.FOP-10-1
 HZY3-58130-V21ZA.FOP-10-1
 HZY3-58130-V31ZA.FOP-10-1
 HZY3-58130-V41ZA.FOP-10-1
 HZY3-58130-V51ZA.FOP-10-1
 HZY3-58180-T00.FOP-10-1
 HZY3-58180-T10.FOP-10-1
 HZY3-58180-T20.FOP-10-1
 HZY3-58180-T30.FOP-10-1
 HZY3-58180-T40.FOP-10-1
 HZY3-60180-C01.F-8-10-12
 HZY3-60185-C01.F-8-10-13
 HZY3-63102-010.F-8-4
 HZY3-63107-000.F-8-5
 HZY3-63108-000.F-8-6
 HZY3-63111-310ZD.F-8-7
 HZY3-63143-H00.F-8-9
 HZY3-63201-000ZC.F-8-10-14
 HZY3-63205-000.F-8-10-15
 HZY3-63208-000.F-8-10-16
 HZY3-63212-000.F-8-10-17
 HZY3-63223-000.F-8-10-18
 HZY3-63224-000.F-8-10-19
 HZY3-63225-000.F-8-10-20
 HZY3-63226-000.F-8-10-21
 HZY3-63230-C00.F-8-10-22
 HZY3-63347-C00.F-3-20-19
 HZY3-63710-C00ZC.F-3-20-20
 HZY3-63715-C01ZC.F-3-20-21
 HZY3-63718-000.F-3-20-22
 HZY3-63722-010ZC.F-3-20-24
 HZY3-63728-000.F-3-20-25
 HZY3-63729-003.F-8-10-25
 HZY3-63731-A03ZC.F-3-20-26
 HZY3-63731-A12ZC.F-3-20-26
 HZY3-63736-A03ZC.F-3-20-27
 HZY3-63736-A12ZC.F-3-20-27
 HZY3-63751-C00.F-3-20-28
 HZY3-63756-C00.F-3-20-29
 HZY3-87121-R00.F-12-4
 HZY3-90001-000.E-3-26
 HZY3-90002-000.E-21-19
 HZY3-90003-000.F-21-20
 HZY3-90006-003.E-3-27
 HZY3-90007-000.E-13-10-7
 HZY3-90008-003.E-3-28
 HZY3-90009-003.E-3-29
 HZY3-90010-000.E-6-10-26
 HZY3-90011-000.E-6-10-27
 HZY3-90013-000.E-6-10-28
 HZY3-90015-000.E-6-10-29
 HZY3-90017-000.E-18-48
 HZY3-90017-000.E-19-23
 HZY3-90017-000.F-2-23
 HZY3-90018-000.E-13-10-9
 HZY3-90021-000.E-3-33
 HZY3-90021-000.E-14-21
 HZY3-90021-000.E-18-49
 HZY3-90021-000.F-8-10-27
 HZY3-90023-000.E-14-10-14
 HZY3-90026-000.E-3-10-7
 HZY3-90026-000.E-9-14
 HZY3-90027-000.E-4-17
 HZY3-90028-000.E-3-34
 HZY3-90029-000.E-14-10-15
 HZY3-90030-000.E-3-35
 HZY3-90030-000.E-3-10-8
 HZY3-90030-000.E-6-10-30
 HZY3-90030-000.E-13-22
 HZY3-90030-000.E-15-19
 HZY3-90031-000.E-3-10-9
 HZY3-90031-000.E-6-10-31
 HZY3-90031-000.E-14-10-16
 HZY3-90034-000.E-4-18
 HZY3-90034-000.E-15-20
 HZY3-90035-000.E-9-15
 HZY3-90036-000.E-1-22
 HZY3-90037-000.E-15-21
 HZY3-90038-000.E-3-36
 HZY3-90039-000.E-13-24
 HZY3-90040-000.E-13-25
 HZY3-90041-000.E-3-10-10
 HZY3-90042-000.E-14-22
 HZY3-90043-000.E-14-23
 HZY3-90044-000.E-14-24
 HZY3-90045-000.E-6-10-32
 HZY3-90046-000.E-6-10-33
 HZY3-90047-000.E-6-10-34
 HZY3-90049-000.E-6-10-35
 HZY3-90050-000.E-18-50
 HZY3-90053-010.E-6-9
 HZY3-90054-000.E-18-57
 HZY3-90055-000.E-19-24
 HZY3-90056-000.E-18-2-27
 HZY3-90058-000.E-14-10-17
 HZY3-90059-000.E-6-10-36
 HZY3-90063-000.E-3-10-11
 HZY3-90082-003.E-3-10-12
 HZY3-90102-A00.F-3-20-31
 HZY3-90104-010.F-10-39
 HZY3-90105-010.F-3-20-32
 HZY3-90106-A00.F-8-10-31
 HZY3-90107-000.F-7-11-16
 HZY3-90109-010.F-8-11
 HZY3-90111-000.F-3-20-34
 HZY3-90113-C00.F-3-20-36
 HZY3-90116-000.FOP-2-9
 HZY3-90117-000.F-10-43
 HZY3-90120-000.F-3-14
 HZY3-90122-000.F-3-20-37
 HZY3-90123-000.F-5-13
 HZY3-90123-000.F-5-1-13
 HZY3-90124-000.F-3-15
 HZY3-90129-A00.F-3-20-38
 HZY3-90132-000.F-3-20-39
 HZY3-90134-000.F-3-20-40
 HZY3-90204-000.E-3-10-15
 HZY3-90205-000.E-14-25
 HZY3-90205-000.E-14-10-19
 HZY3-90302-000.F-3-20-42
 HZY3-90303-000.F-4-19
 HZY3-90304-000.F-7-11-18
 HZY3-90405-000.F-7-11-19
 HZY3-90406-000.E-1-23
 HZY3-90501-A00.F-10-54
 HZY3-90503-610.F-3-20-43
 HZY3-90504-A00.F-10-57
 HZY3-90506-000.F-5-15
 HZY3-90506-000.F-5-1-15
 HZY3-90507-000.F-8-14
 HZY3-90508-000.E-15-22
 HZY3-90508-000.F-2-32
 HZY3-90509-000.F-10-58
 HZY3-90510-000.F-10-59
 HZY3-90511-000.F-3-20-44
 HZY3-90512-000.F-5-17
 HZY3-90512-000.F-5-1-17
 HZY3-90528-000.F-5-18
 HZY3-90528-000.F-5-1-18
 HZY3-90529-000.F-5-19
 HZY3-90529-000.F-5-1-19
 HZY3-90530-000.F-5-20
 HZY3-90530-000.F-5-1-20
 HZY3-90531-000.F-5-21
 HZY3-90548-000.F-5-19
 HZY3-90549-000.F-5-20
 HZY3-90550-000.F-5-21
 HZY3-90551-000.F-5-22
 HZY3-90552-000.F-5-23
 HZY3-90553-000.F-5-24
 HZY3-90554-000.F-5-25
 HZY3-90555-000.F-5-26
 HZY3-90556-000.F-5-27
 HZY3-90557-000.F-5-28
 HZY3-90558-000.F-5-29
 HZY3-90559-000.F-5-30
 HZY3-90560-000.F-5-31
 HZY3-90601-030.E-4-21
 HZY3-90601-030.E-18-10-19
 HZY3-90602-020.E-1-25
 HZY3-90603-020.E-4-22
 HZY3-90604-020.E-4-23
 HZY3-90652-000.F-3-20-49
 HZY3-90653-003.F-7-4
 HZY3-90741-000.E-13-27
 HZY3-90751-000.F-2-35
 HZY3-90752-003.F-4-22
 HZY3-90752-003.FOP-2-11
 HZY3-91001-003.E-6-10-43
 HZY3-91051-003.F-5-23
 HZY3-91051-003.F-5-1-23
 HZY3-91053-003.F-4-24
 HZY3-91055-003.F-5-24
 HZY3-91055-003.F-5-1-24
 HZY3-91056-711.F-5-1-25
 HZY3-91057-003.F-5-25
 HZY3-91057-003.F-5-1-26
 HZY3-91151-000.F-5-26
 HZY3-91151-000.F-5-1-27
 HZY3-91152-003.F-2-36
 HZY3-91212-003.E-3-40
 HZY3-91251-C01.F-3-27
 HZY3-91251-C01.F-4-26
 HZY3-91254-003.F-3-29
 HZY3-91254-003.F-4-27
 HZY3-91255-003.F-2-38
 HZY3-91301-003.E-4-24
 HZY3-91303-000.E-21-23
 HZY3-91304-000.E-6-10-46
 HZY3-91305-003.E-6-10-47
 HZY3-91306-003.E-6-10-48
 HZY3-91351-C00.F-3-33
 HZY3-91351-C00.F-5-28
 HZY3-91351-C00.F-5-1-29
 HZY3-91356-003.F-4-29
 HZY3-91356-003.FOP-2-12
 HZY3-91358-003.F-4-30
 HZY3-91358-003.FOP-2-13
 HZY3-91359-003.F-4-31
 HZY3-91359-003.FOP-2-14
 HZY3-91401-A00.E-1-30
 HZY3-91402-020.E-1-31
 HZY3-91403-000.E-1-32
 HZY3-91404-000.E-6-10-49
 HZY3-91405-000.E-6-10-50
 HZY3-91451-000.F-3-20-52
 HZY3-91508-000.E-13-10-10
 HZY3-91551-000.F-4-32
 HZY3-91551-000.FOP-2-15
 HZY3-91552-000.F-3-20-53
 HZY3-91556-000.F-8-15
 HZY3-91560-000.F-10-71
 HZY3-91651-003.F-3-20-55
 HZY6-16450-003.E-14-1
 HZY6-16718-013.E-18-30
 HZY6-16723-003.E-18-32
 HZY6-19269-000.E-18-10-16
 HZY6-24320-000.F-4-11

HZY6-24320-610. F-4-
HZY6-32414-640. F-7-11-6
HZY6-36135-003. E-18-10-17
HZY6-38235-004. F-7-30-4
HZY6-39794-003. F-7-30-6
HZY6-90103-000. F-3-13
HZY6-90103-000. F-10-38
HZY6-90135-004. F-7-30-8
HZY6-91553-000. F-3-20-
HZY9-17315-000. E-15-9
HZY9-30419-003. E-20-4
HZY9-30419-003. E-20-11-2
HZY9-30419-003. F-7-11-1
HZY9-32103-000. F-7-11-2
HZY9-38553-003. E-20-11-6
HZY9-56115-003. F-11-17
HZY9-90017-000. E-15-18
HZY9-90105-000. E-20-3
HZZ0-90101-000. F-3-12
HZZ3-06240-R30 FOP-3-1
HZZ3-06240-R40 FOP-3-4-1
HZZ3-06240-R60 FOP-3-2-1
HZZ3-06323-R20 FOP-4-1
HZZ3-06323-R30 FOP-4-1-1
HZZ3-06328-762. FOP-12-1
HZZ3-24800-R00 FOP-3-6-1
HZZ3-24820-R11 FOP-3-13
HZZ3-24820-R21 FOP-3-2-14
HZZ3-24830-R41 FOP-3-4-11
HZZ3-32101-000. E-20-11-3
HZZ3-32127-000. F-7-2
HZZ3-32341-R31 FOP-4-6
HZZ3-32346-R21 FOP-4-7
HZZ3-32346-R31 FOP-4-1-3
HZZ3-32347-R01 FOP-4-8
HZZ3-35100-R11 FOP-3-6-38
HZZ3-35100-R11 FOP-4-14
HZZ3-35100-R11 FOP-4-1-7
HZZ3-37205-R01 FOP-4-18
HZZ3-87301-R00 F-12-19
HZZ3-87701-R00 FOP-3-6-47
HZZ3-87701-R40 FOP-3-4-18
HZZ3-87703-R01 FOP-3-2-24
HZZ3-87703-R81 FOP-3-21
HZZ3-91252-003. F-3-28
HZZ3-91252-003. F-5-27
HZZ3-91252-003. F-5-1-28
HZZ5-06325-600. FOP-4-2
HZZ5-06325-700. FOP-4-
HZZ5-06325-800. FOP-4-
HZZ5-16901-003. E-18-2-14
HZZ5-16906-003. E-18-2-16
HZZ5-16915-000. E-18-2-20
HZZ5-16918-003. E-18-2-22
HZZ5-16919-003. E-18-2-24
HZZ5-32185-600. FOP-4-5
HZZ5-32185-700. FOP-4-
HZZ5-32185-800. FOP-4-
HZZ5-32530-000. FOP-3-6-34
HZZ5-32545-000. FOP-4-9
HZZ5-32545-000. FOP-4-1-4
HZZ5-32580-600. FOP-4-10
HZZ5-32580-700. FOP-4-
HZZ5-32580-800. FOP-4-
HZZ5-37210-013. FOP-3-6-44
HZZ5-37210-712. FOP-4-1-11
HZZ5-37210-762. FOP-4-19
HZZ5-38414-003. FOP-4-22
HZZ5-38414-003. FOP-4-1-14
HZZ5-91501-000. F-7-11-23

Note

TOHATSU CORPORATION

**Address : 5-4,3-chome,Azusawa,Itabashi-ku,
TOKYO,174-0051 JAPAN**

Phone : TOKYO (03)3966-3117

FAX : TOKYO (03)3966-0090

Website : www.tohatsu.co.jp

**2014
PARTS CATALOG**

**BFT 200A
BFT 225A**