

# PARTS CATALOG

## NISSAN

### OUTBOARD MOTOR

スペシャルツール  
SPECIAL TOOL

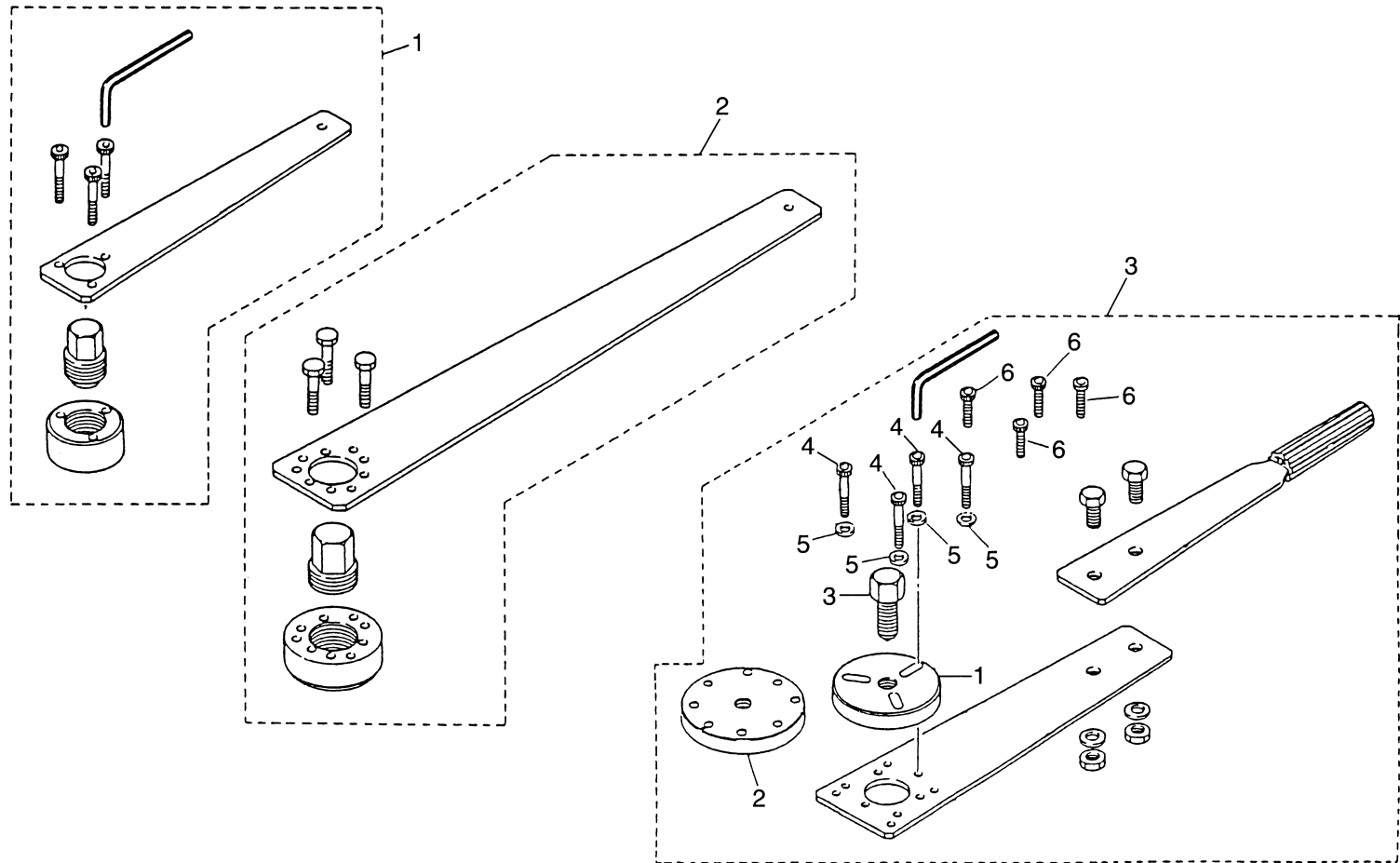
**Copyright © 2006 Nissan Marine Co. Ltd. All rights reserved. No part of this manual may be reproduced or transmitted in any form or by any means without the express written permission of Nissan Marine Co., Ltd.**

**Nissan Marine Co., Ltd. makes no warranty, express or implied, regarding the use of this data. Nissan Marine Co., Ltd. assumes no responsibility for errors or omissions nor assumes any liability for damages resulting from the use of the information contained herein. In some cases a part design may have changed since this manual was published or may not apply to your particular engine model, or a service/parts bulletin may have been issued containing important information pertaining to this model and/or a particular part. Some parts may be serial number and/or model number specific. You are strongly advised to contact your local dealer to ensure the accuracy of the data contained in this manual and to ensure the data contained in this manual applies to your particular model and serial number.**

# CONTENTS

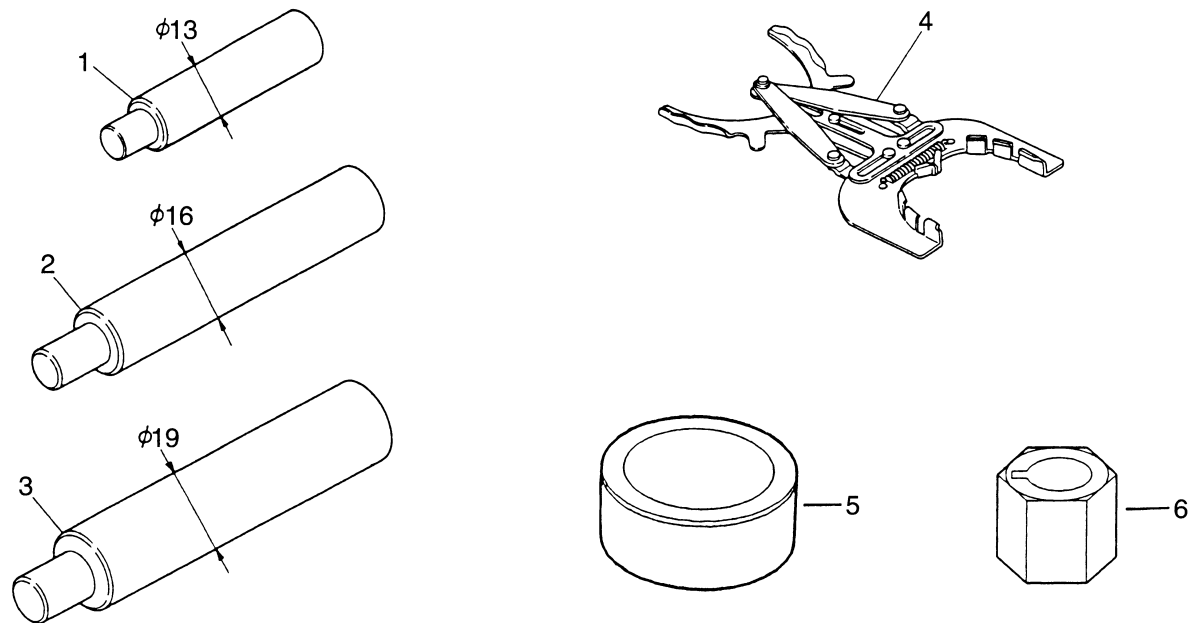
|           |   |    |
|-----------|---|----|
| Fig. 1-A  | <u>FLYWHEEL PULLER ASS'Y</u>  | 4  |
| Fig. 2-A  | <u>PISTON PIN • PISTON RING • PISTON SLIDER • CRANKSHAFT HOLDER TOOLS</u> | 6  |
| Fig. 3-A  | <u>WRENCH &amp; SOCKET FOR BEVEL GEAR "B" NUT</u> .....                   | 8  |
| Fig. 4-A  | <u>NEEDLE ROLLER BEARING PULLER KIT</u> .....                             | 10 |
| Fig. 5-A  | <u>BEVEL GEAR BEARING PULLER ASS'Y</u> .....                              | 16 |
| Fig. 6-A  | <u>BACKLASH MEASURING TOOL KIT</u> .....                                  | 18 |
| Fig. 7-A  | <u>RUBBER MOUNT PULLER KIT</u> .....                                      | 24 |
| Fig. 8-A  | <u>SPRING PIN • CLUTCH PIN SNAP TOOLS</u> .....                           | 26 |
| Fig. 9-A  | <u>TLDI SPECIAL TOOLS</u> .....   | 28 |
| Fig. 10-A | <u>OTHERS</u> .....   | 30 |

フライホイールプーラアッシ  
Fig. 1-A FLYWHEEL PULLER ASS'Y



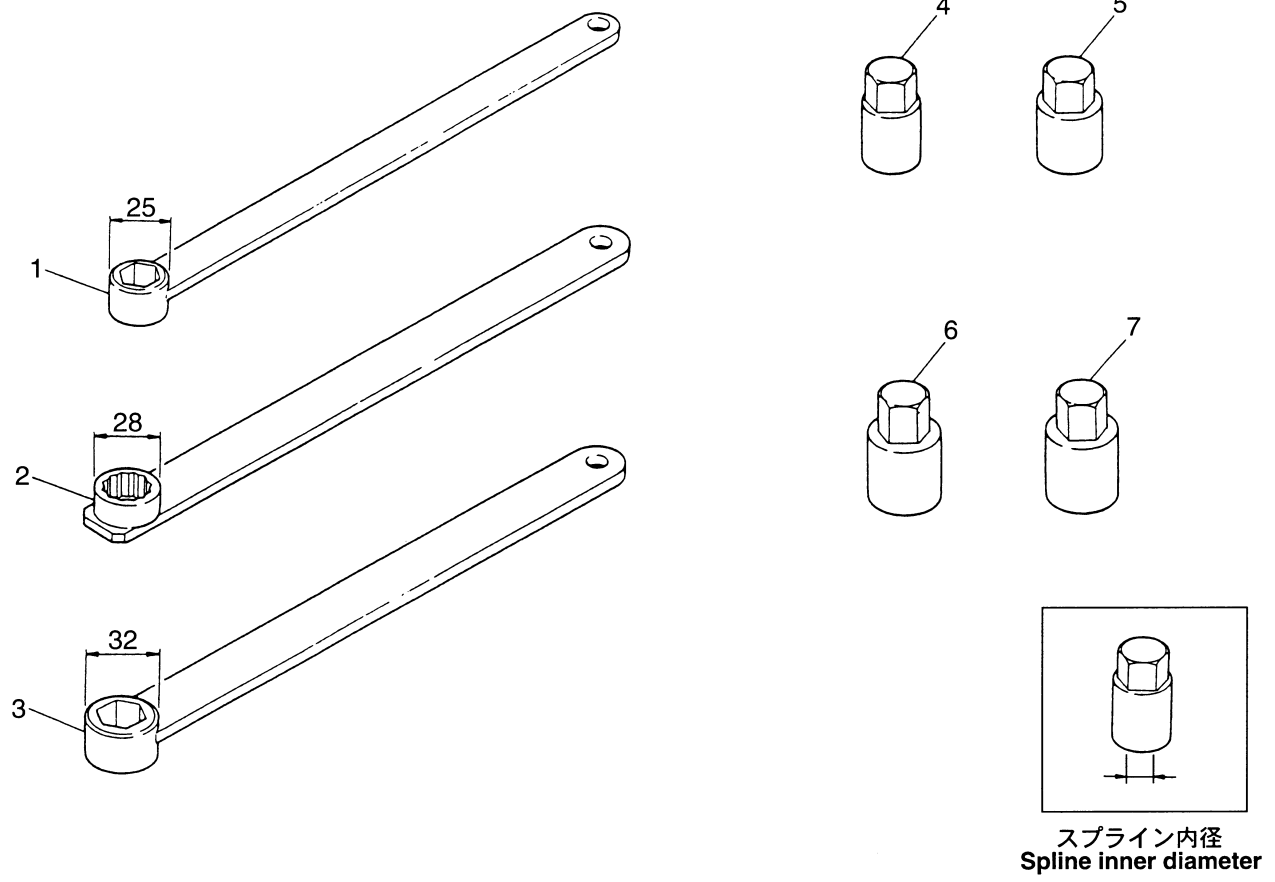
| 見出番号<br>Ref. No. | 部品番号<br>Part No. | 部 品 名<br>Description                      | 個 数                              |                            |                              |                                 |                                |                               |                               |                              |                                |                                  |                               |                               |                              | Q'ty                           |                                 |                              |   | 備 考<br>Remarks                 |
|------------------|------------------|---|----------------------------------|----------------------------|------------------------------|---------------------------------|--------------------------------|-------------------------------|-------------------------------|------------------------------|--------------------------------|----------------------------------|-------------------------------|-------------------------------|------------------------------|--------------------------------|---------------------------------|------------------------------|---|--------------------------------|
|                  |                  |   | M<br>2.5<br>A2<br>↓<br>3.5<br>B2 | M<br>4<br>C<br>↓<br>5<br>B | M<br>6<br>B<br>↓<br>9.8<br>B | M<br>9.9<br>D2<br>↓<br>18<br>E2 | M<br>25<br>C3<br>↓<br>30<br>A4 | M<br>40<br>C<br>↓<br>50<br>D2 | M<br>40<br>D2<br>↓<br>70<br>C | M<br>60<br>C<br>↓<br>70<br>C | M<br>90<br>A<br>↓<br>140<br>A2 | M<br>120<br>A2<br>↓<br>140<br>A2 | MD<br>40<br>B<br>↓<br>50<br>B | MD<br>70<br>B<br>↓<br>90<br>B | F<br>4<br>A2<br>↓<br>6<br>A2 | F<br>8<br>A2<br>↓<br>9.8<br>A2 | F<br>9.9<br>B2<br>↓<br>18<br>B2 | F<br>25<br>A<br>↓<br>30<br>A |   |                                |
| 1-A-1            | 3V1-72211-0      | フライホイelpーラアツシ<br>Flywheel Puller Ass'y    | 1                                |                            |                              |                                 |                                |                               |                               |                              |                                |                                  |                               |                               |                              |                                | 1                               |                              |   | or 309-72214-0 (M2.5/3.5 Only) |
| 1-A-2            | 369-72211-0      | フライホイelpーラアツシ<br>Flywheel Puller Ass'y    |                                  | 1                          | 1                            | 1                               | 1                              | 1                             |                               |                              |                                |                                  |                               |                               |                              |                                | 1                               |                              | 1 | Old Part No. 336-72214-1       |
| 1-A-3            | 3C7-72211-1      | フライホイelpーラキツ<br>Flywheel Puller Kit       |                                  |                            |                              |                                 |                                |                               | 1                             | 1                            | 1                              | 1                                | 1                             | 1                             |                              |                                |                                 |                              |   | 1                              |
| 1-A-3-1          | 3B7-72783-0      | * フライホイelpーラプレート<br>Flywheel Puller Plate |                                  |                            |                              |                                 |                                |                               | 1                             | 1                            | 1                              |                                  | 1                             | 1                             |                              |                                |                                 |                              |   |                                |
| 1-A-3-2          | 3C7-72783-0      | * フライホイelpーラプレート<br>Flywheel Puller Plate |                                  |                            |                              |                                 |                                |                               |                               |                              |                                |                                  | 1                             |                               |                              |                                |                                 |                              |   |                                |
| 1-A-3-3          | 3B7-72784-0      | * フライホイelpーラボルト<br>Flywheel Puller Bolt   |                                  |                            |                              |                                 |                                |                               | 1                             | 1                            | 1                              | 1                                | 1                             | 1                             |                              |                                |                                 |                              |   |                                |
| 1-A-3-4          | 3B7-72785-0      | * ボルト、8-40<br>Bolt, 8-40                  |                                  |                            |                              |                                 |                                |                               | 3                             | 3                            | 3                              | 4                                | 3                             | 3                             |                              |                                |                                 |                              |   |                                |
| 1-A-3-5          | 940191-0800      | * ワッシャ<br>Washer                          |                                  |                            |                              |                                 |                                |                               | 3                             | 3                            | 3                              | 4                                | 3                             | 3                             |                              |                                |                                 |                              |   |                                |
| 1-A-3-6          | 3B7-72786-0      | * ボルト、8-25<br>Bolt, 8-25                  |                                  |                            |                              |                                 |                                |                               | 3                             | 3                            | 3                              | 4                                | 3                             | 3                             |                              |                                |                                 |                              |   |                                |
|                  |                  |   |                                  |                            |                              |                                 |                                |                               |                               |                              |                                |                                  |                               |                               |                              |                                |                                 |                              |   |                                |
|                  |                  |   |                                  |                            |                              |                                 |                                |                               |                               |                              |                                |                                  |                               |                               |                              |                                |                                 |                              |   |                                |
|                  |                  |   |                                  |                            |                              |                                 |                                |                               |                               |                              |                                |                                  |                               |                               |                              |                                |                                 |                              |   |                                |
|                  |                  |   |                                  |                            |                              |                                 |                                |                               |                               |                              |                                |                                  |                               |                               |                              |                                |                                 |                              |   |                                |
|                  |                  |   |                                  |                            |                              |                                 |                                |                               |                               |                              |                                |                                  |                               |                               |                              |                                |                                 |                              |   |                                |
|                  |                  |   |                                  |                            |                              |                                 |                                |                               |                               |                              |                                |                                  |                               |                               |                              |                                |                                 |                              |   |                                |

ピストンピン・ピストンリング・ピストンスライダ・クランクシャフトホルダツール  
Fig. 2-A PISTON PIN · PISTON RING · PISTON SLIDER · CRANKSHAFT HOLDER TOOLS



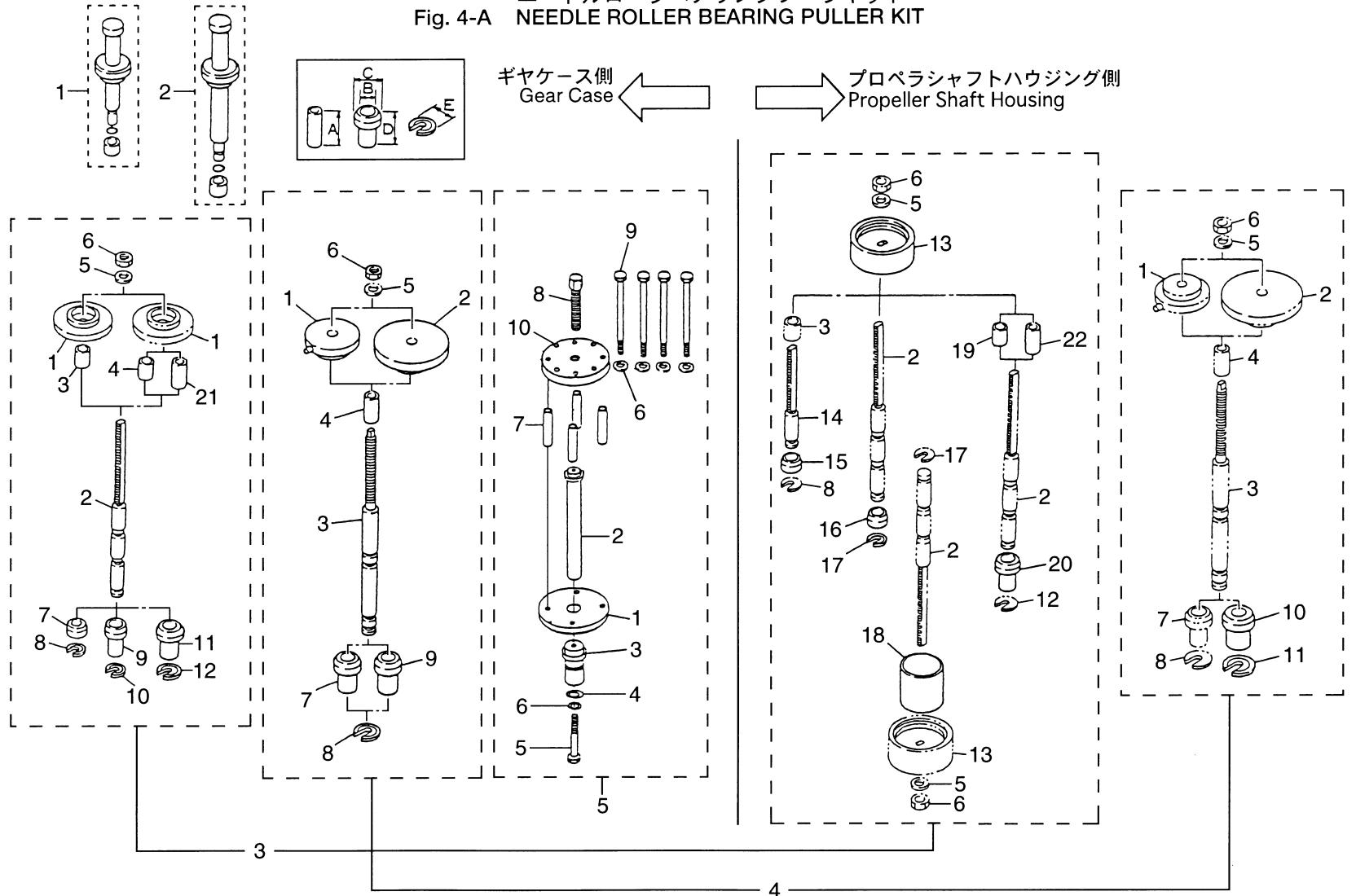
| 見出番号<br>Ref. No. | 部品番号<br>Part No. | 部 品 名<br>Description             | 個 数                              |                            |                              |                                 |                                |                               |                               |                              |                              |                                  |                               |                               |                              |                                |                                 |                              | 備 考<br>Remarks |   |
|------------------|------------------|----------------------------------|----------------------------------|----------------------------|------------------------------|---------------------------------|--------------------------------|-------------------------------|-------------------------------|------------------------------|------------------------------|----------------------------------|-------------------------------|-------------------------------|------------------------------|--------------------------------|---------------------------------|------------------------------|----------------|---|
|                  |                  |                                  | Q'ty                             | Q'ty                       | Q'ty                         | Q'ty                            | Q'ty                           | Q'ty                          | Q'ty                          | Q'ty                         | Q'ty                         | Q'ty                             | Q'ty                          | Q'ty                          | Q'ty                         | Q'ty                           | Q'ty                            |                              |                |   |
|                  |                  |                                  | M<br>2.5<br>A2<br>↓<br>3.5<br>B2 | M<br>4<br>C<br>↓<br>5<br>B | M<br>6<br>B<br>↓<br>9.8<br>B | M<br>9.9<br>D2<br>↓<br>18<br>E2 | M<br>25<br>C3<br>↓<br>30<br>A4 | M<br>40<br>C<br>↓<br>50<br>D2 | M<br>40<br>D2<br>↓<br>70<br>C | M<br>60<br>C<br>↓<br>70<br>C | M<br>90<br>A<br>↓<br>70<br>C | M<br>120<br>A2<br>↓<br>140<br>A2 | MD<br>40<br>B<br>↓<br>50<br>B | MD<br>70<br>B<br>↓<br>90<br>B | F<br>4<br>A2<br>↓<br>6<br>A2 | F<br>8<br>A2<br>↓<br>9.8<br>A2 | F<br>9.9<br>B2<br>↓<br>18<br>B2 | F<br>25<br>A<br>↓<br>30<br>A |                |   |
| 2-A-1            | 332-72215-0      | ピストンピンツール<br>Piston Pin Tool     |                                  | 1                          | 1                            | 1                               |                                |                               |                               |                              |                              |                                  |                               |                               |                              |                                |                                 |                              |                |   |
| 2-A-2            | 345-72215-0      | ピストンピンツール<br>Piston Pin Tool     |                                  |                            |                              |                                 | 1                              | 1                             | 1                             |                              |                              |                                  | 1                             |                               |                              |                                |                                 |                              |                |   |
| 2-A-3            | 353-72215-0      | ピストンピンツール<br>Piston Pin Tool     |                                  |                            |                              |                                 |                                |                               |                               | 1                            | 1                            | 1                                |                               | 1                             |                              |                                |                                 |                              |                |   |
| 2-A-4            | 353-72249-0      | ピストンリングツール<br>Piston Ring Tool   |                                  | 1                          | 1                            | 1                               | 1                              | 1                             | 1                             | 1                            | 1                            | 1                                | 1                             | 1                             | 1                            | 1                              | 1                               | 1                            | 1              | 1 |
| 2-A-5            | 3H6-72871-0      | ピストンスライダ<br>Piston Slider        |                                  |                            |                              |                                 |                                |                               |                               |                              |                              |                                  |                               |                               |                              | 1                              |                                 | 1                            | 1              |   |
|                  | 3V1-72871-0      | ピストンスライダ<br>Piston Slider        |                                  |                            |                              |                                 |                                |                               |                               |                              |                              |                                  |                               |                               |                              |                                | 1                               |                              |                |   |
| 2-A-6            | 3T5-72815-0      | クランクシャフトホルダ<br>Crankshaft Holder |                                  |                            |                              |                                 |                                |                               |                               |                              |                              |                                  | 1                             | 1                             |                              |                                |                                 |                              |                |   |
|                  | 3V1-72815-0      | クランクシャフトホルダ<br>Crankshaft Holder |                                  |                            |                              |                                 |                                |                               |                               |                              |                              |                                  |                               |                               |                              |                                | 1                               |                              |                |   |
|                  | 3V9-72815-0      | クランクシャフトホルダ<br>Crankshaft Holder |                                  |                            |                              |                                 |                                |                               |                               |                              |                              |                                  |                               |                               |                              |                                |                                 | 1                            |                |   |
|                  | 3R0-72815-0      | クランクシャフトホルダ<br>Crankshaft Holder |                                  |                            |                              |                                 |                                |                               |                               |                              |                              |                                  |                               |                               |                              |                                |                                 |                              | 1              |   |

ベベルギヤBナットレンチ&ソケット  
Fig. 3-A WRENCH & SOCKET FOR BEVEL GEAR B NUT



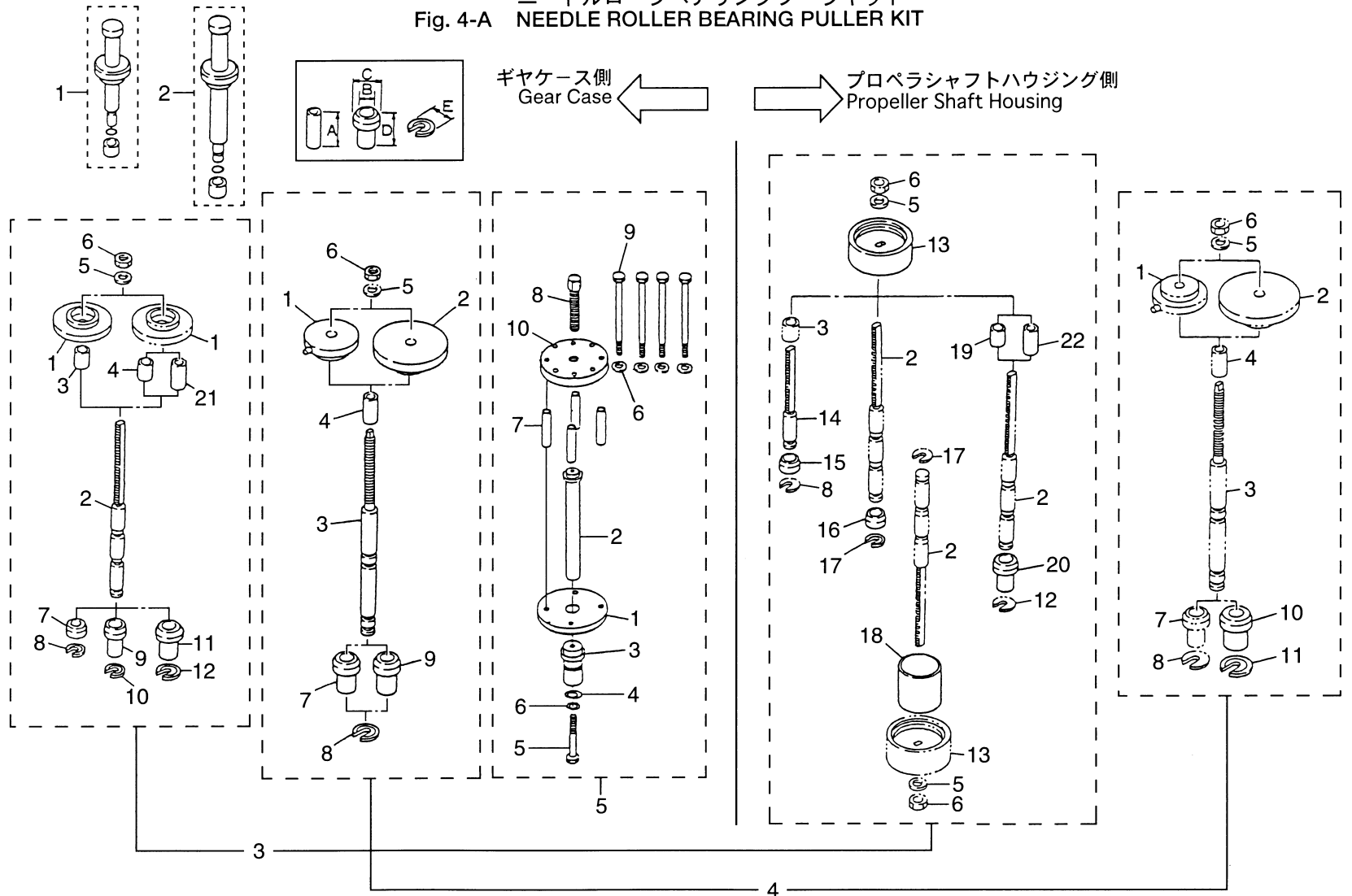


ニードルローラベアリングプーラキット  
Fig. 4-A NEEDLE ROLLER BEARING PULLER KIT



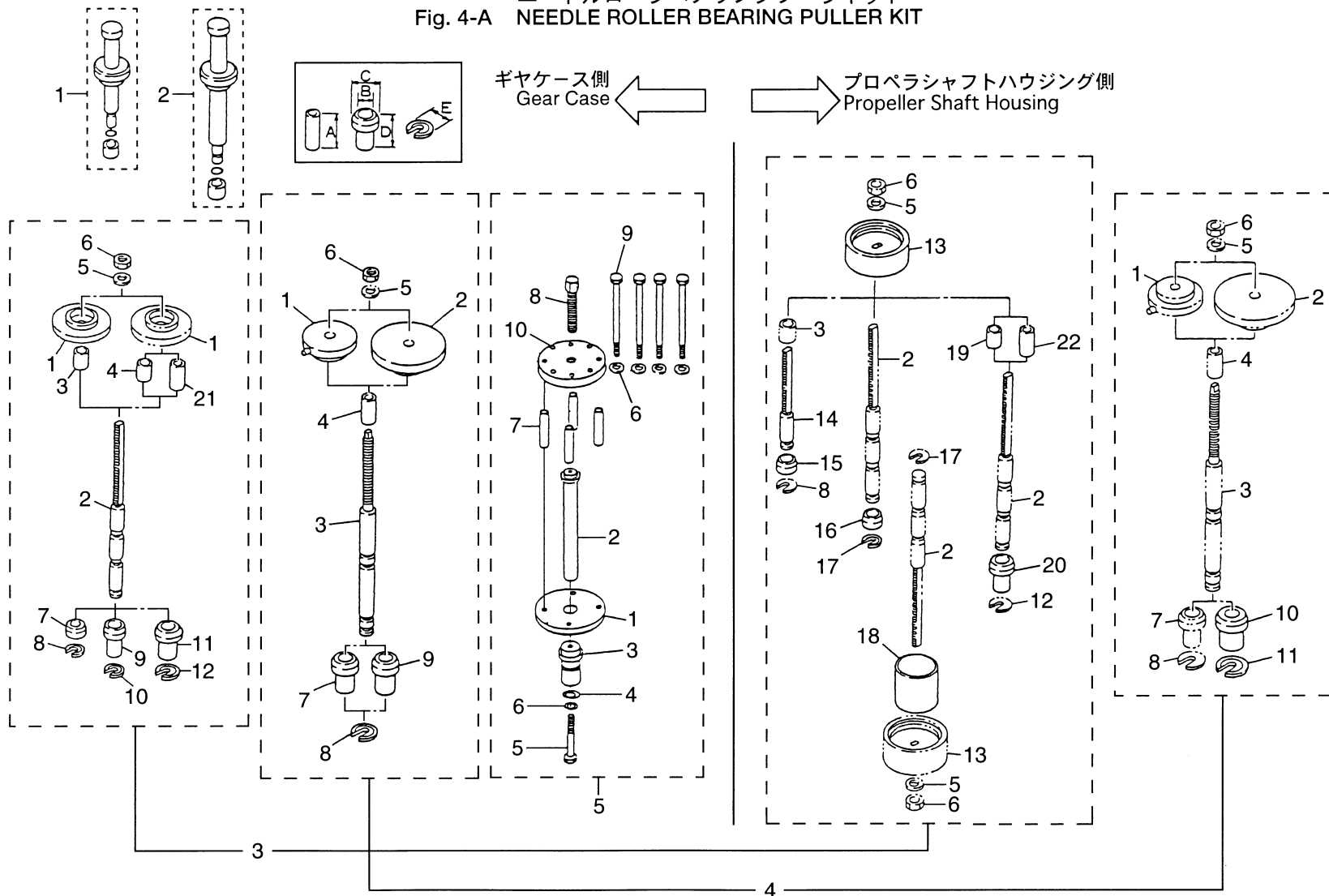


ニードルローラベアリングプーラキット  
Fig. 4-A NEEDLE ROLLER BEARING PULLER KIT



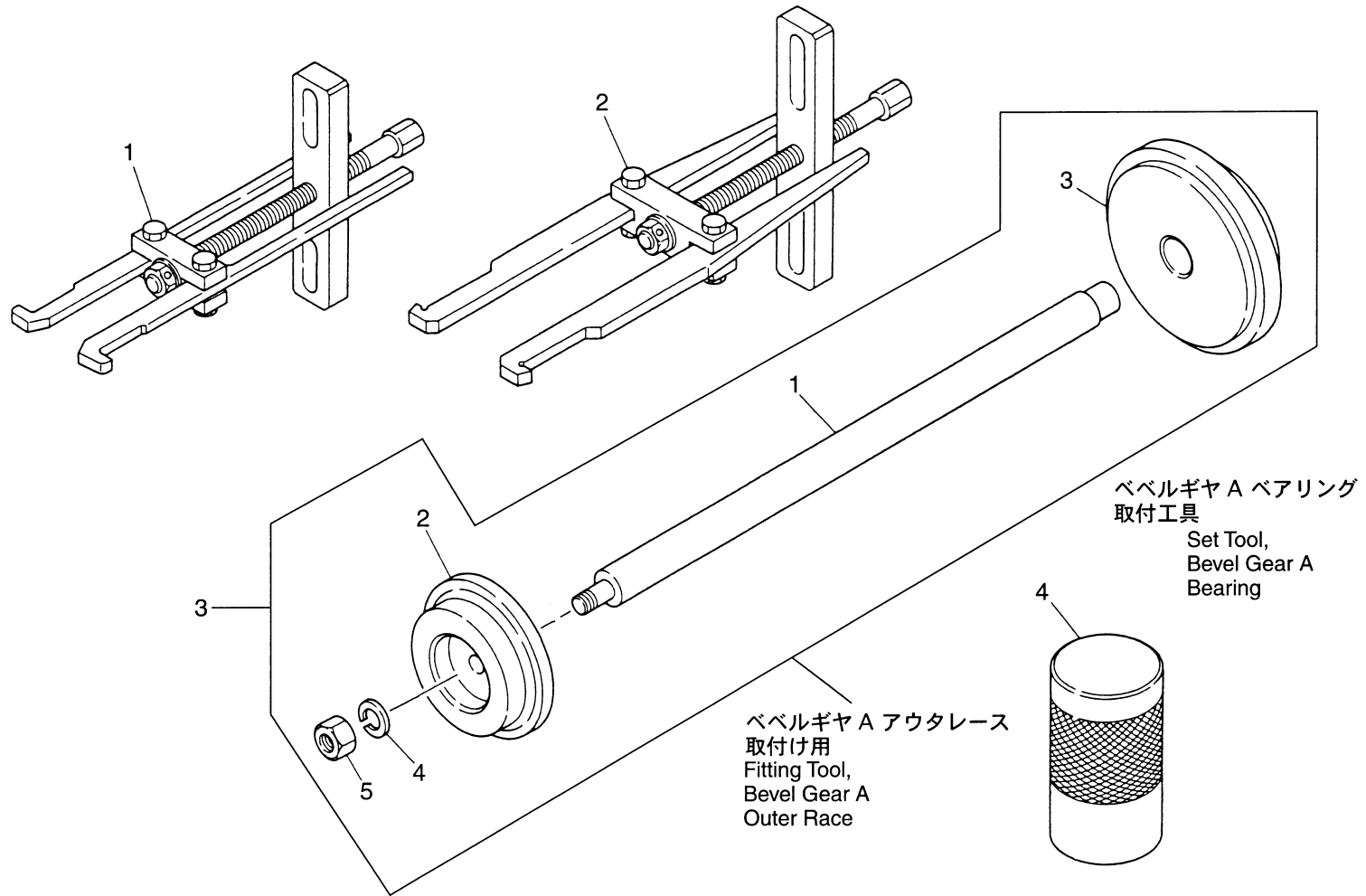
| 見出番号     | 部品番号        | 部 品 名  | 個 数                              |                            |                              |                                 |                                |                               |                              |                              |                                |                                  |                               |                               |                              |                                |                                 |                              | 備 考                                  |
|----------|-------------|--|----------------------------------|----------------------------|------------------------------|---------------------------------|--------------------------------|-------------------------------|------------------------------|------------------------------|--------------------------------|----------------------------------|-------------------------------|-------------------------------|------------------------------|--------------------------------|---------------------------------|------------------------------|--------------------------------------|
|          |             |  | Q'ty                             |                            |                              |                                 |                                |                               |                              |                              |                                |                                  |                               |                               |                              |                                |                                 |                              |                                      |
|          |             |  | M<br>2.5<br>A2<br>↓<br>3.5<br>B2 | M<br>4<br>C<br>↓<br>5<br>B | M<br>6<br>B<br>↓<br>9.8<br>B | M<br>9.9<br>D2<br>↓<br>18<br>E2 | M<br>25<br>C3<br>·<br>30<br>A4 | M<br>40<br>C<br>↓<br>50<br>D2 | M<br>40<br>C<br>↓<br>70<br>C | M<br>60<br>C<br>↓<br>70<br>C | M<br>90<br>A<br>↓<br>140<br>A2 | M<br>120<br>A2<br>↓<br>140<br>A2 | MD<br>40<br>B<br>↓<br>50<br>B | MD<br>70<br>B<br>↓<br>90<br>B | F<br>4<br>A2<br>↓<br>6<br>A2 | F<br>8<br>A2<br>↓<br>9.8<br>A2 | F<br>9.9<br>B2<br>↓<br>18<br>B2 | F<br>25<br>A<br>↓<br>30<br>A |                                      |
| Ref. No. | Part No.    | Description  | Remarks                          |                            |                              |                                 |                                |                               |                              |                              |                                |                                  |                               |                               |                              |                                |                                 |                              |                                      |
| 4-A-3-14 | 350-72702-5 | * ニードルベアリングプーラシャフト<br>Needle Bearing Puller Shaft    |                                  |                            |                              | 1                               |                                |                               |                              |                              |                                |                                  |                               |                               |                              |                                |                                 | 1                            |                                      |
| 4-A-3-15 | 350-72705-5 | * ニードルベアリングプーラガイド<br>Needle Bearing Puller Guide     |                                  |                            |                              | 1                               |                                |                               |                              |                              |                                |                                  |                               |                               |                              |                                |                                 | 1                            | 取付用 for mounting<br>B=17, C=24, D=15 |
| 4-A-3-16 | 346-72705-5 | * ニードルベアリングプーラガイド<br>Needle Bearing Puller Guide     |                                  |                            |                              |                                 | 1                              |                               |                              |                              |                                |                                  |                               |                               |                              |                                |                                 | 1                            | 取付用 for mounting<br>B=18, C=25, D=15 |
| 4-A-3-17 | 346-72703-5 | * ニードルベアリングプーラリテーナ<br>Needle Bearing Puller Retainer |                                  |                            |                              |                                 | 1                              |                               |                              |                              |                                |                                  |                               |                               |                              |                                |                                 | 1                            | E=24.5                               |
| 4-A-3-18 | 346-72708-0 | * ニードルベアリングプーラスペースャ<br>Needle Bearing Puller Spacer  |                                  |                            |                              |                                 | 1                              |                               |                              |                              |                                |                                  |                               |                               |                              |                                |                                 | 1                            | 取外し用<br>for dis mounting             |
| 4-A-3-19 | 345-72704-5 | * ニードルベアリングプーラストッパ<br>Needle Bearing Puller Stopper  |                                  |                            |                              |                                 |                                | 1                             |                              |                              |                                |                                  |                               |                               |                              |                                |                                 |                              | 取付用<br>A=53 for mounting             |
| 4-A-3-20 | 345-72705-5 | * ニードルベアリングプーラガイド<br>Needle Bearing Puller Guide     |                                  |                            |                              |                                 |                                | 1                             | 1                            |                              |                                |                                  | 1                             |                               |                              |                                |                                 |                              | B=18, C=30, D=43.5                   |
| 4-A-3-21 | 3C8-72704-0 | * ニードルベアリングプーラストッパ<br>Needle Bearing Puller Stopper  |                                  |                            |                              |                                 |                                |                               | 1                            |                              |                                |                                  | 1                             |                               |                              |                                |                                 |                              | A=63                                 |
| 4-A-3-22 | 3C8-72704-5 | * ニードルベアリングプーラストッパ<br>Needle Bearing Puller Stopper  |                                  |                            |                              |                                 |                                |                               |                              | 1                            |                                |                                  | 1                             |                               |                              |                                |                                 |                              | A=56                                 |
| 4-A-4    | 3B7-72700-0 | * ニードルベアリングプーラキット<br>Needle Bearing Puller Kit       |                                  |                            |                              |                                 |                                |                               | ☆<br>(1)                     | 1                            | 1                              | 1                                | ☆<br>(1)                      | 1                             |                              |                                |                                 |                              | ☆MW 50 Type Only                     |
| 4-A-4-1  | 353-72701-0 | * ニードルベアリングプーラフランジ<br>Needle Bearing Puller Flange   |                                  |                            |                              |                                 |                                |                               | ☆<br>(1)                     |                              |                                |                                  | ☆<br>(1)                      |                               |                              |                                |                                 |                              | ☆MW 50 Type Only                     |
| 4-A-4-2  | 3B7-72701-0 | * ニードルベアリングプーラフランジ<br>Needle Bearing Puller Flange   |                                  |                            |                              |                                 |                                |                               |                              | 1                            | 1                              | 1                                |                               | 1                             |                              |                                |                                 |                              |                                      |
| 4-A-4-3  | 3B7-72702-0 | * ニードルベアリングプーラシャフト<br>Needle Bearing Puller Shaft    |                                  |                            |                              |                                 |                                |                               | ☆<br>(1)                     | 1                            | 1                              | 1                                | ☆<br>(1)                      | 1                             |                              |                                |                                 |                              | ☆MW 50 Type Only                     |
| 4-A-4-4  | 353-72704-0 | * ニードルベアリングプーラストッパ<br>Needle Bearing Puller Stopper  |                                  |                            |                              |                                 |                                |                               | ☆<br>(1)                     | 1                            | 1                              | 1                                | ☆<br>(1)                      | 1                             |                              |                                |                                 |                              | ☆MW 50 Type Only<br>A=35             |
| 4-A-4-5  | 346-72707-0 | * ワッシャ, 13-21-2.5<br>Washer, 13-21-2.5               |                                  |                            |                              |                                 |                                |                               | ☆<br>(1)                     | 1                            | 1                              | 1                                | ☆<br>(1)                      | 1                             |                              |                                |                                 |                              | ☆MW 50 Type Only                     |
| 4-A-4-6  | 3B7-72735-0 | * ナット, 12P-1.5<br>Nut, 12P-1.5                       |                                  |                            |                              |                                 |                                |                               | ☆<br>(1)                     | 1                            | 1                              | 1                                | ☆<br>(1)                      | 1                             |                              |                                |                                 |                              | ☆MW 50 Type Only                     |

ニードルローラベアリングプーラキット  
Fig. 4-A NEEDLE ROLLER BEARING PULLER KIT



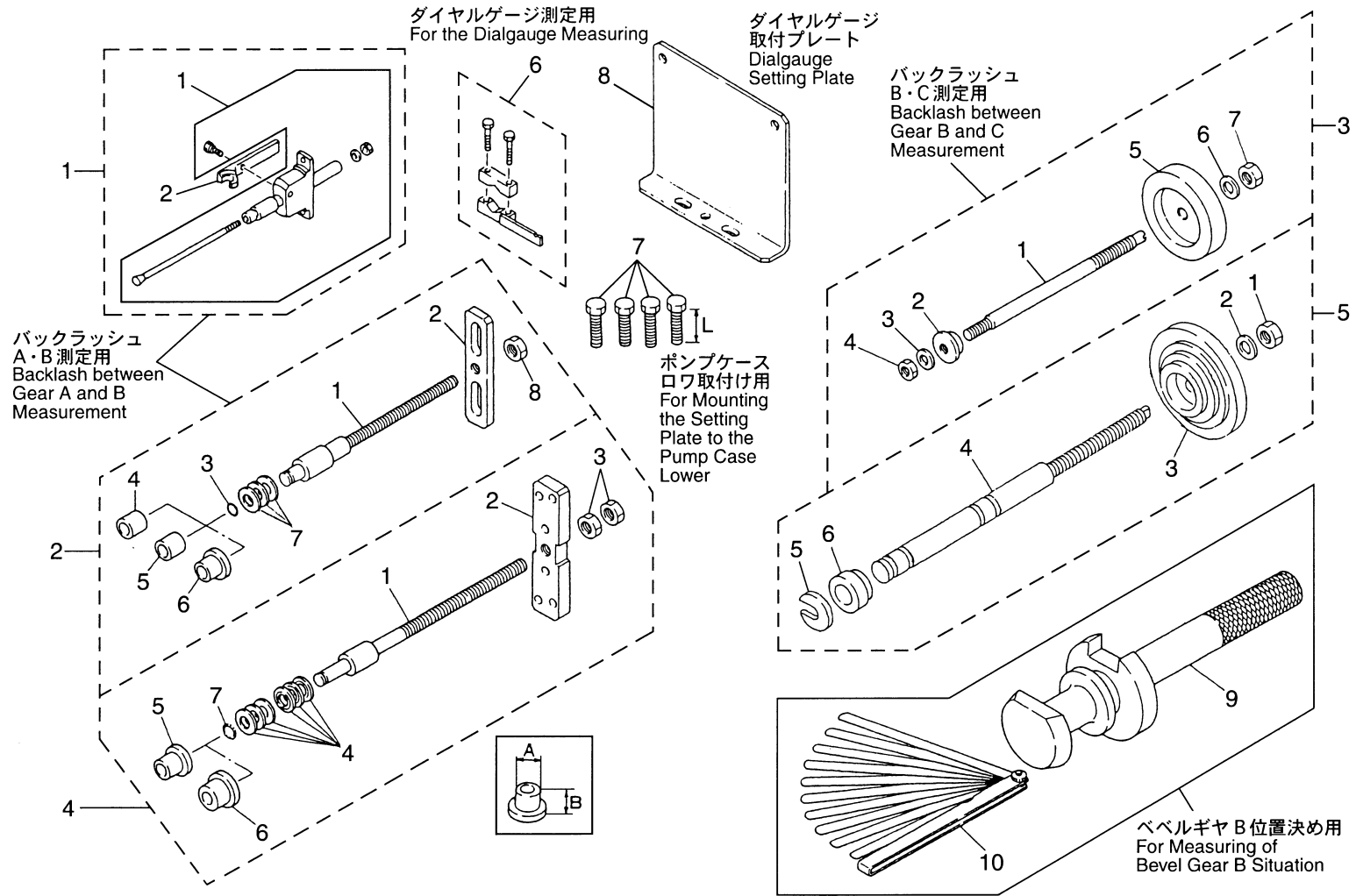
| 見出番号     | 部品番号        | 部 品 名  | 個 数                              |                            |                              |                                 |                                |                               |                               |                              |                                |                                |                               |                               |                              |                                |                                 |                              | 備 考                                  |
|----------|-------------|--|----------------------------------|----------------------------|------------------------------|---------------------------------|--------------------------------|-------------------------------|-------------------------------|------------------------------|--------------------------------|--------------------------------|-------------------------------|-------------------------------|------------------------------|--------------------------------|---------------------------------|------------------------------|--------------------------------------|
|          |             |  | Q'ty                             |                            |                              |                                 |                                |                               |                               |                              |                                |                                |                               |                               |                              |                                |                                 |                              |                                      |
|          |             |  | M<br>2.5<br>A2<br>↓<br>3.5<br>B2 | M<br>4<br>C<br>↓<br>5<br>B | M<br>6<br>B<br>↓<br>9.8<br>B | M<br>9.9<br>D2<br>↓<br>18<br>E2 | M<br>25<br>C3<br>↓<br>30<br>A4 | M<br>40<br>C<br>↓<br>50<br>D2 | M<br>40<br>D2<br>↓<br>70<br>C | M<br>60<br>C<br>↓<br>70<br>C | M<br>90<br>A<br>↓<br>140<br>A2 | M<br>120<br>A2<br>↓<br>50<br>B | MD<br>40<br>B<br>↓<br>90<br>B | MD<br>70<br>B<br>↓<br>6<br>A2 | F<br>4<br>A2<br>↓<br>6<br>A2 | F<br>8<br>A2<br>↓<br>9.8<br>A2 | F<br>9.9<br>B2<br>↓<br>18<br>B2 | F<br>25<br>A<br>↓<br>30<br>A |                                      |
| Ref. No. | Part No.    | Description  |                                  |                            |                              |                                 |                                |                               |                               |                              |                                |                                |                               |                               |                              |                                |                                 |                              | Remarks                              |
| 4-A-4-7  | 353-72705-0 | ニードルベアリングプーラガイド<br>* Needle Bearing Puller Guide     |                                  |                            |                              |                                 |                                |                               | ☆<br>(1)                      |                              |                                |                                |                               | ☆<br>(1)                      |                              |                                |                                 |                              | ☆MW 50 Type Only<br>B=20, C=33, D=48 |
| 4-A-4-8  | 353-72703-0 | ニードルベアリングプーラリテーナ<br>* Needle Bearing Puller Retainer |                                  |                            |                              |                                 |                                |                               | ☆<br>(1)                      | 1                            | 1                              |                                |                               | ☆<br>(1)                      |                              |                                |                                 |                              | ☆MW 50 Type Only<br>E=33             |
| 4-A-4-9  | 3B7-72705-0 | ニードルベアリングプーラガイド<br>* Needle Bearing Puller Guide     |                                  |                            |                              |                                 |                                |                               |                               |                              | 1                              |                                |                               |                               |                              |                                |                                 |                              | B=20, C=33.3, D=50                   |
| 4-A-4-10 | 3B7-72710-0 | ニードルベアリングプーラガイド<br>* Needle Bearing Puller Guide     |                                  |                            |                              |                                 |                                |                               |                               |                              | 1                              | 1                              |                               | 1                             |                              |                                |                                 |                              | B=20, C=40, D=48                     |
| 4-A-4-11 | 3B7-72709-0 | ニードルベアリングプーラリテーナ<br>* Needle Bearing Puller Retainer |                                  |                            |                              |                                 |                                |                               |                               |                              | 1                              | 1                              |                               | 1                             |                              |                                |                                 |                              | E=39.5                               |
| 4-A-5    | 3C7-72900-1 | ニードルベアリングプレスキット<br>Needle Bearing Press Kit          |                                  |                            |                              |                                 |                                |                               |                               |                              |                                |                                | 1                             | 1                             |                              |                                |                                 |                              |                                      |
| 4-A-5-1  | 3C7-72765-0 | ベアリングアウトプレスガイド<br>* Bearing Outer Press Guide        |                                  |                            |                              |                                 |                                |                               |                               |                              |                                |                                | 1                             | 1                             |                              |                                |                                 |                              |                                      |
| 4-A-5-2  | 3C7-72767-0 | ニードルベアリングプレスロッド<br>* Needle Bearing Press Rod        |                                  |                            |                              |                                 |                                |                               |                               |                              |                                |                                | 1                             | 1                             |                              |                                |                                 |                              |                                      |
| 4-A-5-3  | 3C7-72770-0 | ニードルベアリングプレス<br>* Needle Bearing Press               |                                  |                            |                              |                                 |                                |                               |                               |                              |                                |                                | 1                             | 1                             |                              |                                |                                 |                              |                                      |
| 4-A-5-4  | 3B2-62415-0 | Oリング、4.25-19.5<br>* O-Ring, 4.25-19.5                |                                  |                            |                              |                                 |                                |                               |                               |                              |                                |                                | 1                             | 1                             |                              |                                |                                 |                              |                                      |
| 4-A-5-5  | 916194-0880 | ボルト、8-80<br>* Bolt, 8-80                             |                                  |                            |                              |                                 |                                |                               |                               |                              |                                |                                | 1                             | 1                             |                              |                                |                                 |                              |                                      |
| 4-A-5-6  | 940191-0800 | ワッシャ<br>* Washer                                     |                                  |                            |                              |                                 |                                |                               |                               |                              |                                |                                | 5                             | 5                             |                              |                                |                                 |                              |                                      |
| 4-A-5-7  | 3C7-72768-0 | ニードルベアリングプレスカラー<br>Needle Bearing Press Collar       |                                  |                            |                              |                                 |                                |                               |                               |                              |                                |                                | 4                             | 4                             |                              |                                |                                 |                              |                                      |
| 4-A-5-8  | 3C7-72766-0 | ニードルベアリングプレスボルト<br>Needle Bearing Press Bolt         |                                  |                            |                              |                                 |                                |                               |                               |                              |                                |                                | 1                             | 1                             |                              |                                |                                 |                              |                                      |
| 4-A-5-9  | 3C7-72773-0 | ボルト、8-110<br>Bolt, 8-110                             |                                  |                            |                              |                                 |                                |                               |                               |                              |                                |                                | 4                             | 4                             |                              |                                |                                 |                              |                                      |
| 4-A-5-10 | 3C7-72901-0 | ニードルベアリングプレスフランジ<br>Needle Bearing Press Flange      |                                  |                            |                              |                                 |                                |                               |                               |                              |                                |                                | 1                             | 1                             |                              |                                |                                 |                              | or 3C7-72783-0                       |

ベベルギヤ A ベアリングプーラアッシ  
Fig. 5-A BEVEL GEAR A BEARING PULLER ASS'Y



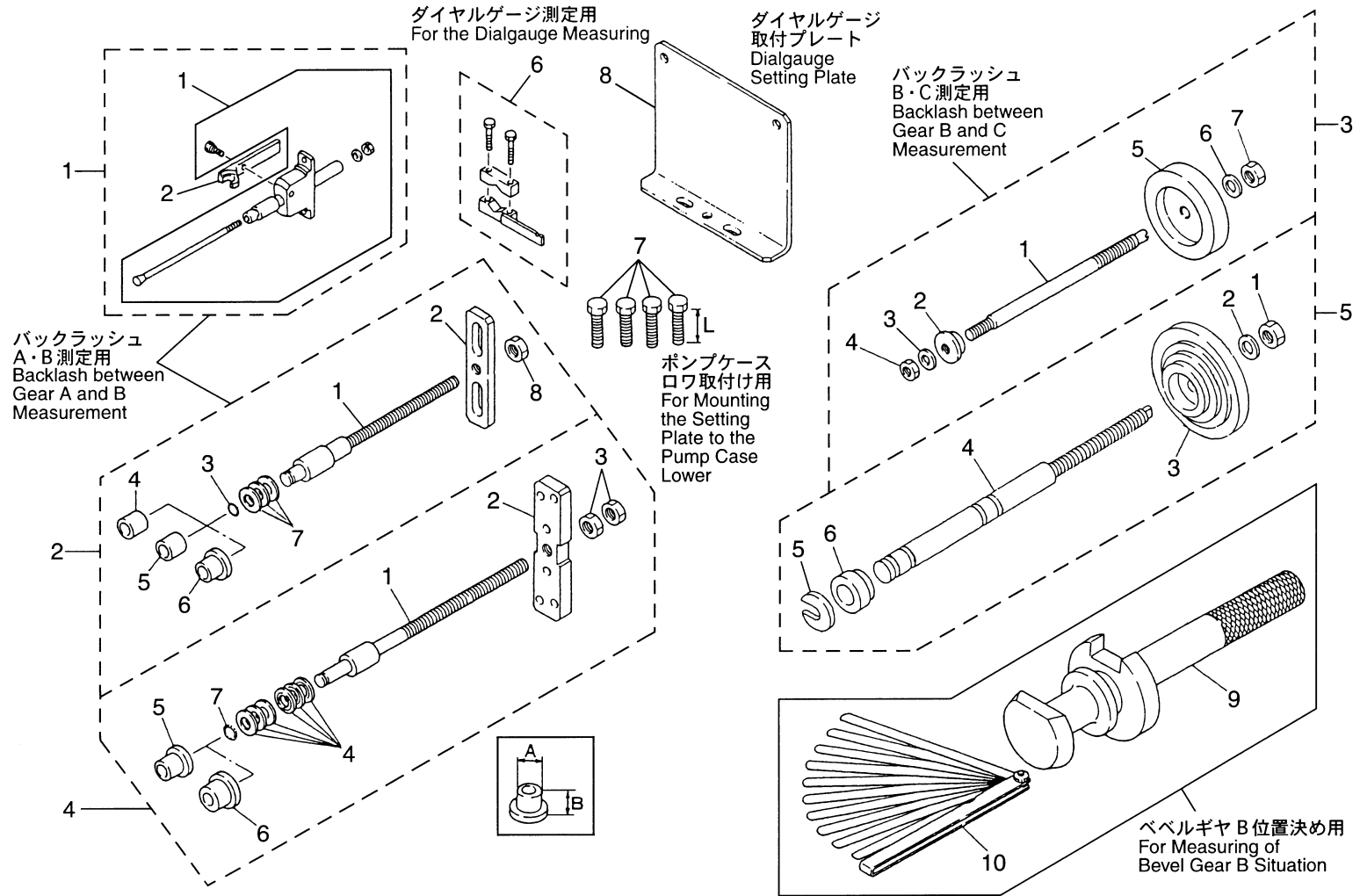
| 見出番号<br>Ref. No. | 部品番号<br>Part No. | 部 品 名<br>Description  | 個 数                              |                            |                              |                                 |                                |                               |                               |                              |                                |                                  |                               |                               |                              |                                |                                 |                              | 備 考<br>Remarks |   |  |
|------------------|------------------|---|----------------------------------|----------------------------|------------------------------|---------------------------------|--------------------------------|-------------------------------|-------------------------------|------------------------------|--------------------------------|----------------------------------|-------------------------------|-------------------------------|------------------------------|--------------------------------|---------------------------------|------------------------------|----------------|---|--|
|                  |                  |   | Q'ty                             |                            |                              |                                 |                                |                               |                               |                              |                                |                                  |                               |                               |                              |                                |                                 |                              |                |   |  |
|                  |                  |   | M<br>2.5<br>A2<br>↓<br>3.5<br>B2 | M<br>4<br>C<br>↓<br>5<br>B | M<br>6<br>B<br>↓<br>9.8<br>B | M<br>9.9<br>D2<br>↓<br>18<br>E2 | M<br>25<br>C3<br>↓<br>30<br>A4 | M<br>40<br>C<br>↓<br>50<br>D2 | M<br>40<br>D2<br>↓<br>70<br>C | M<br>60<br>C<br>↓<br>70<br>C | M<br>90<br>A<br>↓<br>140<br>A2 | M<br>120<br>A2<br>↓<br>140<br>A2 | MD<br>40<br>B<br>↓<br>50<br>B | MD<br>70<br>B<br>↓<br>90<br>B | F<br>4<br>A2<br>↓<br>6<br>A2 | F<br>8<br>A2<br>↓<br>9.8<br>A2 | F<br>9.9<br>B2<br>↓<br>18<br>B2 | F<br>25<br>A<br>↓<br>30<br>A |                |   |  |
| 5-A-1            | 3A3-72755-0      | ベベルギヤベアリングプーラアッソ<br>Bevel Gear Bearing Puller Ass'y                   |                                  |                            |                              | 1                               | 1                              | 1                             | 1                             |                              |                                |                                  |                               |                               | 1                            |                                |                                 |                              | 1              | 1 | Old Part No. 345-72224-1                     |
| 5-A-2            | 3B7-72755-0      | ベベルギヤベアリングプーラアッソ<br>Bevel Gear Bearing Puller Ass'y                   |                                  |                            |                              |                                 |                                |                               | ☆<br>(1)                      | 1                            | 1                              | 1                                | ☆<br>(1)                      | 1                             |                              |                                |                                 |                              |                |   | ☆MW 50 Type Only<br>Old Part No. 3B7-72224-0 |
| 5-A-3            | 3B7-72739-0      | ベアリングアウトプレスキット<br>Bearing Outer Press Kit                             |                                  |                            |                              |                                 | 1                              | 1                             | 1                             | 1                            | 1                              | 1                                | 1                             | 1                             |                              |                                |                                 |                              |                | 1 |  |
| 5-A-3-1          | 3B7-72731-0      | * ベアリングアウトプレスロッド<br>ベアリングアウトプレスロッド<br>* Bearing Outer Press Rod       |                                  |                            |                              |                                 | 1                              | 1                             | 1                             | 1                            | 1                              | 1                                | 1                             | 1                             |                              |                                |                                 |                              |                |   |  |
| 5-A-3-2          | 346-72732-0      | * ベアリングアウトプレースプレート<br>ベアリングアウトプレースプレート<br>* Bearing Outer Press Plate |                                  |                            |                              |                                 | 1                              |                               |                               |                              |                                |                                  |                               |                               |                              |                                |                                 |                              |                | 1 | φ 51   |
|                  | 353-72732-0      | * ベアリングアウトプレースプレート<br>ベアリングアウトプレースプレート<br>* Bearing Outer Press Plate |                                  |                            |                              |                                 |                                | 1                             | 1                             |                              |                                |                                  |                               | 1                             |                              |                                |                                 |                              |                |   | φ 61.5                                       |
|                  | 3B7-72732-0      | * ベアリングアウトプレースプレート<br>ベアリングアウトプレースプレート<br>* Bearing Outer Press Plate |                                  |                            |                              |                                 |                                |                               |                               |                              | 1                              | 1                                | 1                             |                               | 1                            |                                |                                 |                              |                |   | φ 84   |
| 5-A-3-3          | 346-72733-0      | * ベアリングアウトプレスガイド<br>ベアリングアウトプレスガイド<br>* Bearing Outer Press Guide     |                                  |                            |                              |                                 | 1                              | 1                             | 1                             |                              |                                |                                  |                               | 1                             |                              |                                |                                 |                              |                | 1 | φ 90   |
|                  | 3B7-72733-0      | * ベアリングアウトプレスガイド<br>ベアリングアウトプレスガイド<br>* Bearing Outer Press Guide     |                                  |                            |                              |                                 |                                |                               |                               |                              | 1                              | 1                                | 1                             |                               | 1                            |                                |                                 |                              |                |   | φ 110  |
| 5-A-3-4          | 941392-1000      | * スプリングワッシャー<br>Spring Washer   |                                  |                            |                              |                                 | 1                              | 1                             | 1                             | 1                            | 1                              | 1                                | 1                             | 1                             | 1                            |                                |                                 |                              |                | 1 |  |
| 5-A-3-5          | 930191-1000      | * ナット<br>Nut  |                                  |                            |                              |                                 | 1                              | 1                             | 1                             | 1                            | 1                              | 1                                | 1                             | 1                             | 1                            |                                |                                 |                              |                | 1 |  |
| 5-A-4            | 346-72719-0      | ベベルギヤベアリングインストールツール<br>Bevel Gear Bearing Install Tool                |                                  |                            |                              |                                 | 1                              |                               |                               |                              |                                |                                  |                               |                               |                              |                                |                                 |                              |                | 1 | φ 32   |
|                  | 3C8-72719-0      | ベベルギヤベアリングインストールツール<br>Bevel Gear Bearing Install Tool                |                                  |                            |                              |                                 |                                |                               | 1                             | 1                            |                                |                                  |                               |                               | 1                            |                                |                                 |                              |                |   | φ 42   |
|                  | 3B7-72719-0      | ベベルギヤベアリングインストールツール<br>Bevel Gear Bearing Install Tool                |                                  |                            |                              |                                 |                                |                               |                               |                              | 1                              | 1                                | 1                             |                               | 1                            |                                |                                 |                              |                |   | φ 56   |

バックラッシュメジャリングツールキット  
Fig. 6-A BACKLASH MEASURING TOOL KIT



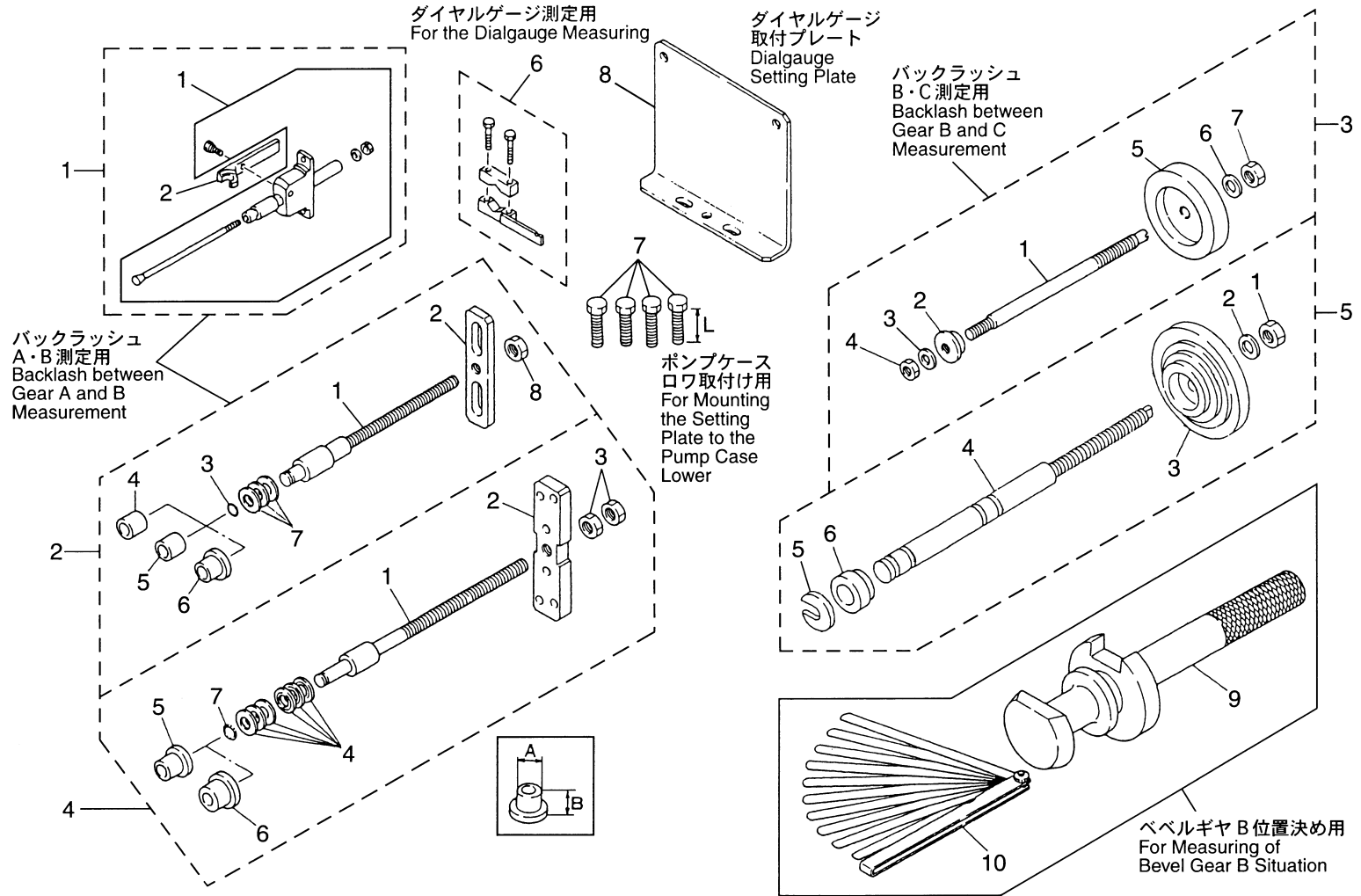


バックラッシュメジャリングツールキット  
Fig. 6-A BACKLASH MEASURING TOOL KIT



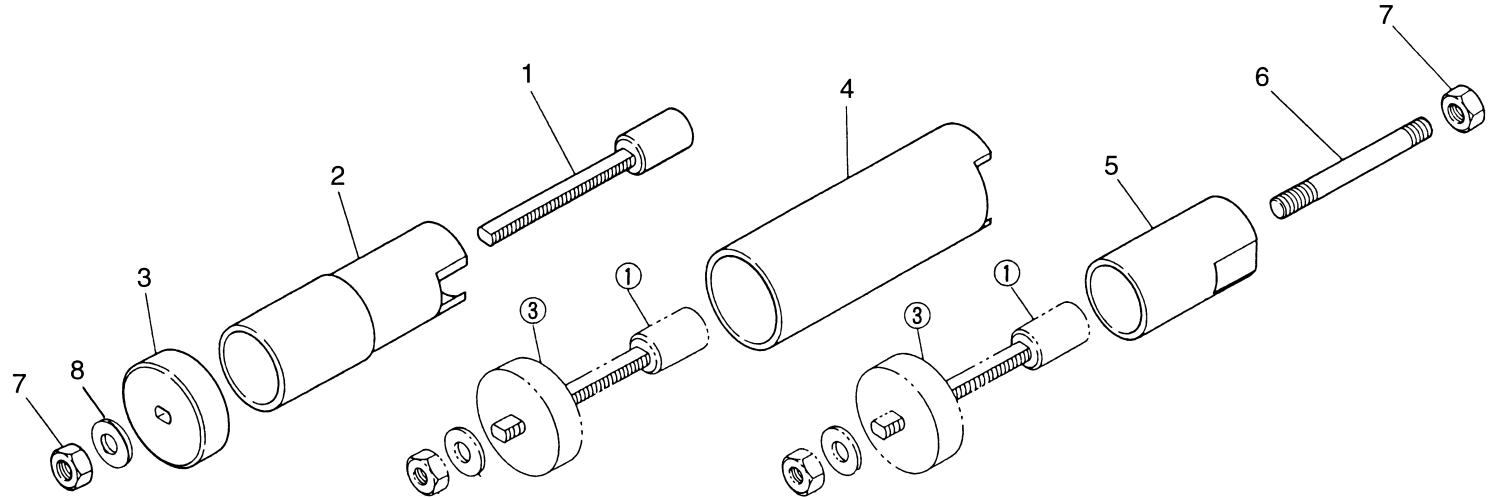
| 見出番号     | 部品番号        | 部 品 名   | 個 数                              |                            |                              |                                 |                                |              |                                |              |              |                                  |               |               |                              |                                |                                 |                              | 備 考     |  |                                |
|----------|-------------|---|----------------------------------|----------------------------|------------------------------|---------------------------------|--------------------------------|--------------|--------------------------------|--------------|--------------|----------------------------------|---------------|---------------|------------------------------|--------------------------------|---------------------------------|------------------------------|---------|--|--------------------------------|
|          |             |   | Q'ty                             |                            |                              |                                 |                                |              |                                |              |              |                                  |               |               |                              |                                |                                 |                              |         |  |                                |
|          |             |   | M<br>2.5<br>A2<br>↓<br>3.5<br>B2 | M<br>4<br>C<br>↓<br>5<br>B | M<br>6<br>B<br>↓<br>9.8<br>B | M<br>9.9<br>D2<br>↓<br>18<br>E2 | M<br>25<br>C3<br>↓<br>30<br>A4 | M<br>40<br>C | M<br>40<br>D2<br>↓<br>50<br>D2 | M<br>60<br>C | M<br>90<br>A | M<br>120<br>A2<br>↓<br>140<br>A2 | MD<br>40<br>B | MD<br>70<br>B | F<br>4<br>A2<br>↓<br>6<br>A2 | F<br>8<br>A2<br>↓<br>9.8<br>A2 | F<br>9.9<br>B2<br>↓<br>18<br>B2 | F<br>25<br>A<br>↓<br>30<br>A |         |  |                                |
| Ref. No. | Part No.    | Description   |                                  |                            |                              |                                 |                                |              |                                |              |              |                                  |               |               |                              |                                |                                 |                              | Remarks |  |                                |
| 6-A-3-3  | 940191-0800 | ワッシャ<br>* Washer  |                                  |                            |                              |                                 |                                |              |                                | ☆<br>(1)     |              |                                  |               |               | ☆<br>(1)                     |                                |                                 |                              |         |  | ☆MW 50 Type Only               |
| 6-A-3-4  | 930191-0800 | ナット<br>* Nut  |                                  |                            |                              |                                 |                                |              |                                | ☆<br>(1)     |              |                                  |               |               | ☆<br>(1)                     |                                |                                 |                              |         |  | ☆MW 50 Type Only               |
| 6-A-3-5  | 353-72725-0 | バックラッシュメジャリングツールプレート<br>* Backlash Measuring Tool Plate |                                  |                            |                              |                                 |                                |              |                                | ☆<br>(1)     |              |                                  |               |               | ☆<br>(1)                     |                                |                                 |                              |         |  | ☆MW 50 Type Only               |
| 6-A-3-6  | 940191-1000 | ワッシャ<br>* Washer  |                                  |                            |                              |                                 |                                |              |                                | ☆<br>(1)     |              |                                  |               |               | ☆<br>(1)                     |                                |                                 |                              |         |  | ☆MW 50 Type Only               |
| 6-A-3-7  | 930191-1000 | ナット<br>* Nut  |                                  |                            |                              |                                 |                                |              |                                | ☆<br>(1)     |              |                                  |               |               | ☆<br>(1)                     |                                |                                 |                              |         |  | ☆MW 50 Type Only               |
| 6-A-4    | 3B7-72234-0 | バックラッシュメジャリングツールキット<br>Backlash Measuring Tool Kit      |                                  |                            |                              |                                 |                                |              |                                | ☆<br>(1)     | 1            | 1                                | 1             |               | ☆<br>(1)                     | 1                              |                                 |                              |         |  | ☆MW 50 Type Only               |
| 6-A-4-1  | 3B7-72723-0 | バックラッシュメジャリングツールシャフト<br>* Backlash Measuring Tool Shaft |                                  |                            |                              |                                 |                                |              |                                | ☆<br>(1)     |              | 1                                |               |               | ☆<br>(1)                     |                                |                                 |                              |         |  | ☆MW 50 Type Only               |
| 6-A-4-2  | 3B7-72724-0 | バックラッシュメジャリングツールプレート<br>* Backlash Measuring Tool Plate |                                  |                            |                              |                                 |                                |              |                                | ☆<br>(1)     |              | 1                                |               |               | ☆<br>(1)                     |                                |                                 |                              |         |  | ☆MW 50 Type Only               |
| 6-A-4-3  | 3B7-72735-0 | ナット、12P-1.5<br>* Nut, 12P-1.5                           |                                  |                            |                              |                                 |                                |              |                                | ☆<br>(2)     |              | 2                                |               |               | ☆<br>(2)                     |                                |                                 |                              |         |  | ☆MW 50 Type Only               |
| 6-A-4-4  | 3B7-72734-0 | コーンディスクスプリング、d=12<br>* Cone disk Spring, d=12           |                                  |                            |                              |                                 |                                |              |                                | ☆<br>(4)     |              | 6                                |               |               | ☆<br>(4)                     |                                |                                 |                              |         |  | ☆MW 50 Type Only               |
| 6-A-4-5  | 3A3-72245-0 | メジャリングツールセットピース<br>* Measuring Tool Set Piece           |                                  |                            |                              |                                 |                                |              |                                | ☆<br>(1)     |              |                                  |               |               | ☆<br>(1)                     |                                |                                 |                              |         |  | ☆MW 50 Type Only<br>A=20, B=22 |
| 6-A-4-6  | 3B7-72245-0 | メジャリングツールセットピース<br>* Measuring Tool Set Piece           |                                  |                            |                              |                                 |                                |              |                                |              |              | 1                                |               |               |                              |                                |                                 |                              |         |  | A=25, B=19                     |
| 6-A-4-7  | 332-60002-0 | Oリング、2-9<br>* O-Ring, 2-9                               |                                  |                            |                              |                                 |                                |              |                                | 1            |              | 1                                |               |               | 1                            |                                |                                 |                              |         |  |                                |
| 6-A-5    | 3B7-72255-0 | バックラッシュメジャリングツールキット<br>Backlash Measuring Tool Kit      |                                  |                            |                              |                                 |                                |              |                                |              |              | 1                                | 1             | 1             |                              | 1                              |                                 |                              |         |  |                                |
| 6-A-5-1  | 3B7-72735-0 | ナット、12P-1.5<br>* Nut, 12P-1.5                           |                                  |                            |                              |                                 |                                |              |                                |              |              | 2                                | 2             | 2             |                              | 2                              |                                 |                              |         |  |                                |
| 6-A-5-2  | 346-72707-0 | ワッシャ、13-21-2.5<br>* Washer, 13-21-2.5                   |                                  |                            |                              |                                 |                                |              |                                |              |              | 1                                | 1             | 1             |                              | 1                              |                                 |                              |         |  |                                |

バックラッシュメジャリングツールキット  
Fig. 6-A BACKLASH MEASURING TOOL KIT





マウントラバープーラキット  
Fig. 7-A MOUNT RUBBER PULLER KIT



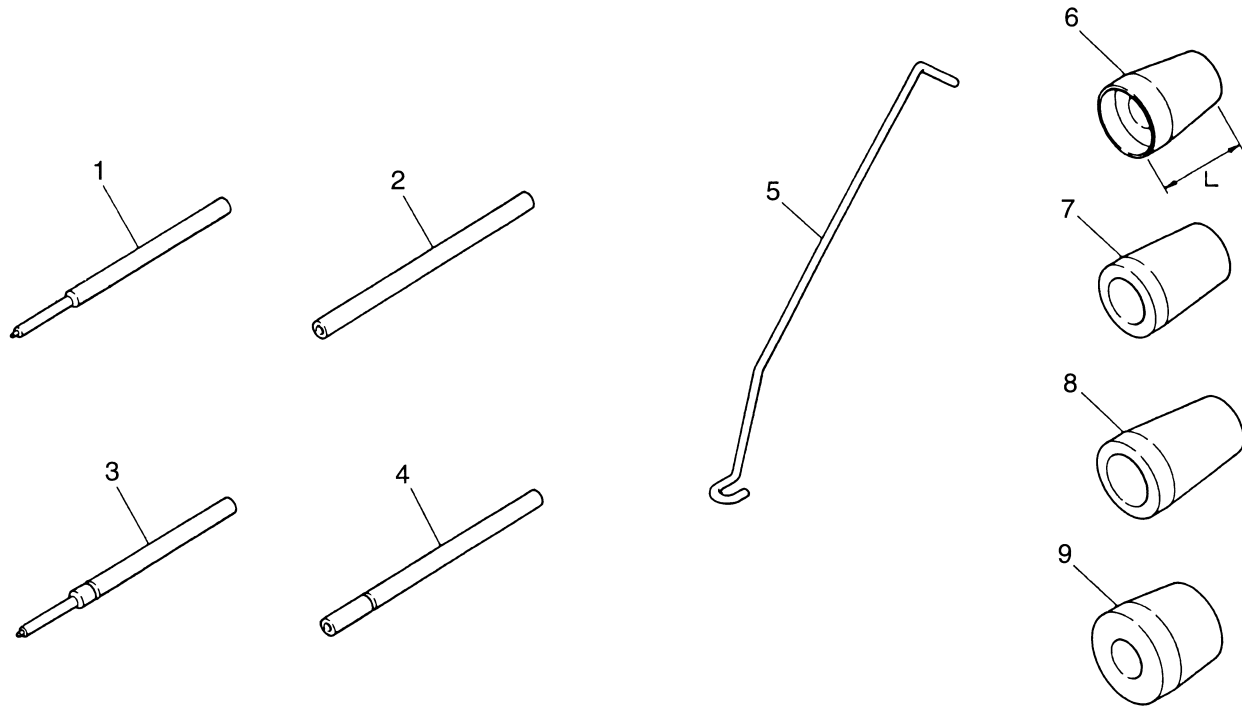
マウントラバーアップ・ロウ取外し用  
For Disassemble Mount Rubber  
Upper and Lower

マウントラバーロウ取外し用  
For Disassemble Mount Rubber  
Lower

マウントラバーアップ取外し用  
For Disassemble Mount Rubber  
Upper

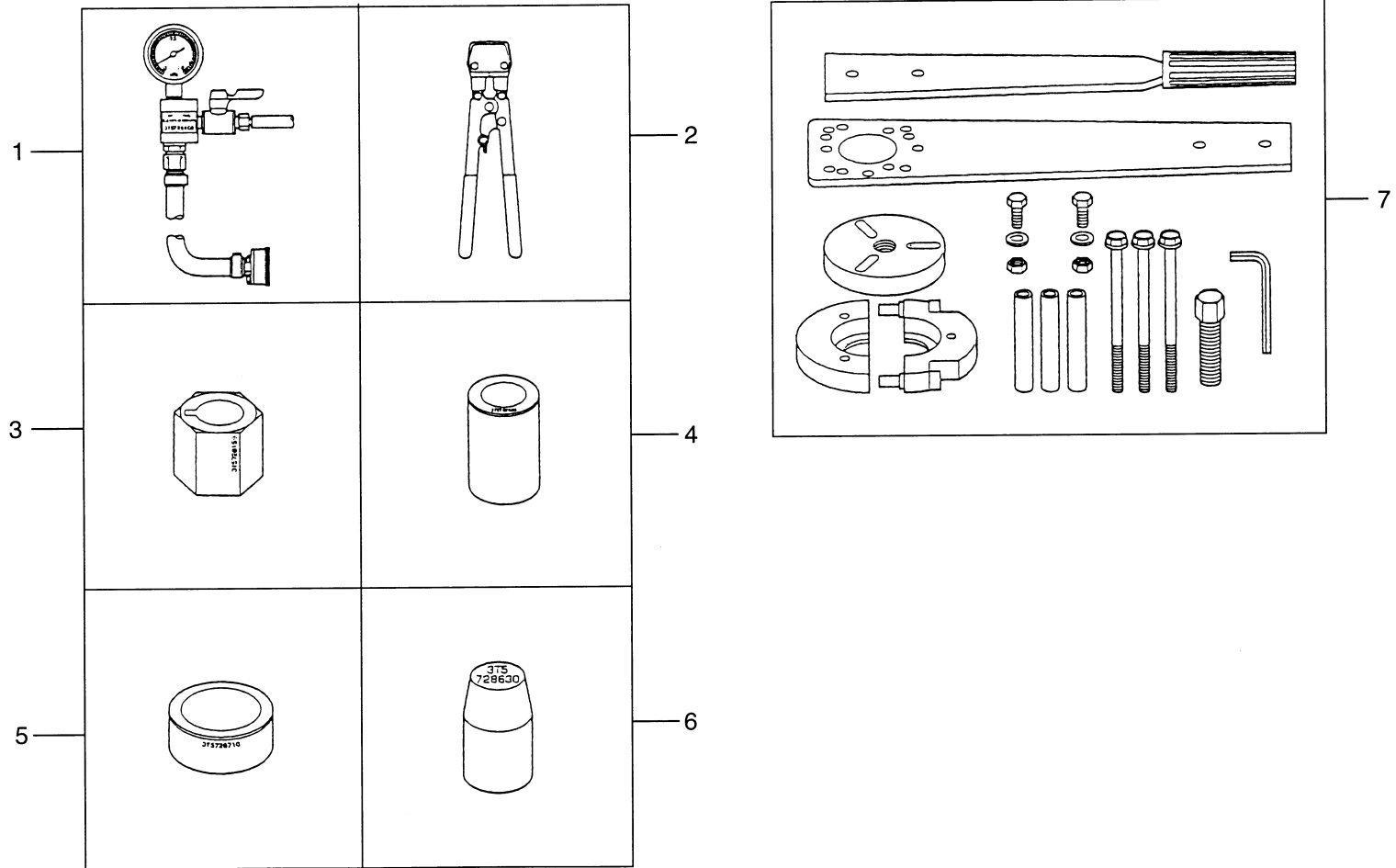


スプリングピン・クラッチピンスナップツール  
Fig. 8-A SPRING PIN · CLUTCH PIN SNAP TOOLS



| 見出番号     | 部品番号        | 部 品 名                                    | 個 数                              |                            |                              |                                 |                                |                               |                              |                              |                                |                                  |                               |                               |                              |                                |                                 |                              | 備 考 |                          |  |
|----------|-------------|--|----------------------------------|----------------------------|------------------------------|---------------------------------|--------------------------------|-------------------------------|------------------------------|------------------------------|--------------------------------|----------------------------------|-------------------------------|-------------------------------|------------------------------|--------------------------------|---------------------------------|------------------------------|-----|--------------------------|--|
|          |             |  | Q'ty                             |                            |                              |                                 |                                |                               |                              |                              |                                |                                  |                               |                               |                              |                                |                                 |                              |     |                          |  |
|          |             |  | M<br>2.5<br>A2<br>↓<br>3.5<br>B2 | M<br>4<br>C<br>↓<br>5<br>B | M<br>6<br>B<br>↓<br>9.8<br>B | M<br>9.9<br>D2<br>↓<br>18<br>E2 | M<br>25<br>C3<br>↓<br>30<br>A4 | M<br>40<br>C<br>↓<br>50<br>D2 | M<br>40<br>C<br>↓<br>70<br>C | M<br>60<br>C<br>↓<br>70<br>C | M<br>90<br>A<br>↓<br>140<br>A2 | M<br>120<br>A2<br>↓<br>140<br>A2 | MD<br>40<br>B<br>↓<br>50<br>B | MD<br>70<br>B<br>↓<br>90<br>B | F<br>4<br>A2<br>↓<br>6<br>A2 | F<br>8<br>A2<br>↓<br>9.8<br>A2 | F<br>9.9<br>B2<br>↓<br>18<br>B2 | F<br>25<br>A<br>↓<br>30<br>A |     |                          |  |
| Ref. No. | Part No.    | Description                              | Remarks                          |                            |                              |                                 |                                |                               |                              |                              |                                |                                  |                               |                               |                              |                                |                                 |                              |     |                          |  |
| 8-A-1    | 345-72227-0 | スプリングピンツール、φ3<br>Spring Pin Tool, φ3     | ★<br>1                           | 1                          | 1                            | 1                               | 1                              | 1                             | 1                            | 1                            | 1                              | 1                                | 1                             | 1                             | 1                            | 1                              | 1                               | 1                            | 1   | ★M3.5B2 Only             |  |
| 8-A-2    | 345-72228-0 | スプリングピンツール、φ3<br>Spring Pin Tool, φ3     | ★<br>1                           | 1                          | 1                            | 1                               | 1                              | 1                             | 1                            | 1                            | 1                              | 1                                | 1                             | 1                             | 1                            | 1                              | 1                               | 1                            | 1   | ★M3.5B2 Only             |  |
| 8-A-3    | 369-72217-0 | スプリングピンツール、φ3.5<br>Spring Pin Tool, φ3.5 |                                  | 1                          | 1                            |                                 |                                |                               | 1                            | 1                            | 1                              | 1                                | 1                             | 1                             | 1                            | 1                              | 1                               | 1                            |     |                          |  |
| 8-A-4    | 369-72218-0 | スプリングピンツール、φ3.5<br>Spring Pin Tool, φ3.5 |                                  | 1                          | 1                            |                                 |                                |                               | 1                            | 1                            | 1                              | 1                                | 1                             | 1                             | 1                            | 1                              | 1                               | 1                            |     |                          |  |
| 8-A-5    | 353-72248-0 | シフトロッドジョイントプーラ<br>Shift Rod Joint Puller |                                  |                            |                              |                                 |                                |                               | ☆<br>(1)                     | 1                            | 1                              | 1                                | ☆<br>(1)                      | 1                             |                              |                                |                                 |                              |     | ☆MW 50 Type Only         |  |
| 8-A-6    | 350-72229-0 | クラッチピンスナップツール<br>Clutch Pin Snap Tool    |                                  |                            |                              | 1                               |                                |                               |                              |                              |                                |                                  |                               |                               |                              |                                |                                 | 1                            |     | L=47                     |  |
| 8-A-7    | 346-72229-0 | クラッチピンスナップツール<br>Clutch Pin Snap Tool    |                                  |                            |                              |                                 | 1                              |                               |                              |                              |                                |                                  |                               |                               |                              |                                |                                 |                              | 1   | L=50                     |  |
| 8-A-8    | 345-72229-0 | クラッチピンスナップツール<br>Clutch Pin Snap Tool    |                                  |                            |                              |                                 |                                | 1                             | 1                            | 1                            | 1                              | 1                                | 1                             | 1                             |                              |                                |                                 |                              |     | L=60                     |  |
| 8-A-9    | 353-72229-0 | クラッチピンスナップツール<br>Clutch Pin Snap Tool    |                                  |                            |                              |                                 |                                |                               | ☆<br>(1)                     |                              |                                |                                  | ☆<br>(1)                      |                               |                              |                                |                                 |                              |     | ☆MW 50 Type Only<br>L=40 |  |
|          |             |  |                                  |                            |                              |                                 |                                |                               |                              |                              |                                |                                  |                               |                               |                              |                                |                                 |                              |     |                          |  |
|          |             |  |                                  |                            |                              |                                 |                                |                               |                              |                              |                                |                                  |                               |                               |                              |                                |                                 |                              |     |                          |  |
|          |             |  |                                  |                            |                              |                                 |                                |                               |                              |                              |                                |                                  |                               |                               |                              |                                |                                 |                              |     |                          |  |
|          |             |  |                                  |                            |                              |                                 |                                |                               |                              |                              |                                |                                  |                               |                               |                              |                                |                                 |                              |     |                          |  |
|          |             |  |                                  |                            |                              |                                 |                                |                               |                              |                              |                                |                                  |                               |                               |                              |                                |                                 |                              |     |                          |  |
|          |             |  |                                  |                            |                              |                                 |                                |                               |                              |                              |                                |                                  |                               |                               |                              |                                |                                 |                              |     |                          |  |
|          |             |  |                                  |                            |                              |                                 |                                |                               |                              |                              |                                |                                  |                               |                               |                              |                                |                                 |                              |     |                          |  |
|          |             |  |                                  |                            |                              |                                 |                                |                               |                              |                              |                                |                                  |                               |                               |                              |                                |                                 |                              |     |                          |  |
|          |             |  |                                  |                            |                              |                                 |                                |                               |                              |                              |                                |                                  |                               |                               |                              |                                |                                 |                              |     |                          |  |

TLDI スペシャルツール  
Fig. 9-A TLDI SPECIAL TOOLS





その他  
Fig. 10-A OTHERS

